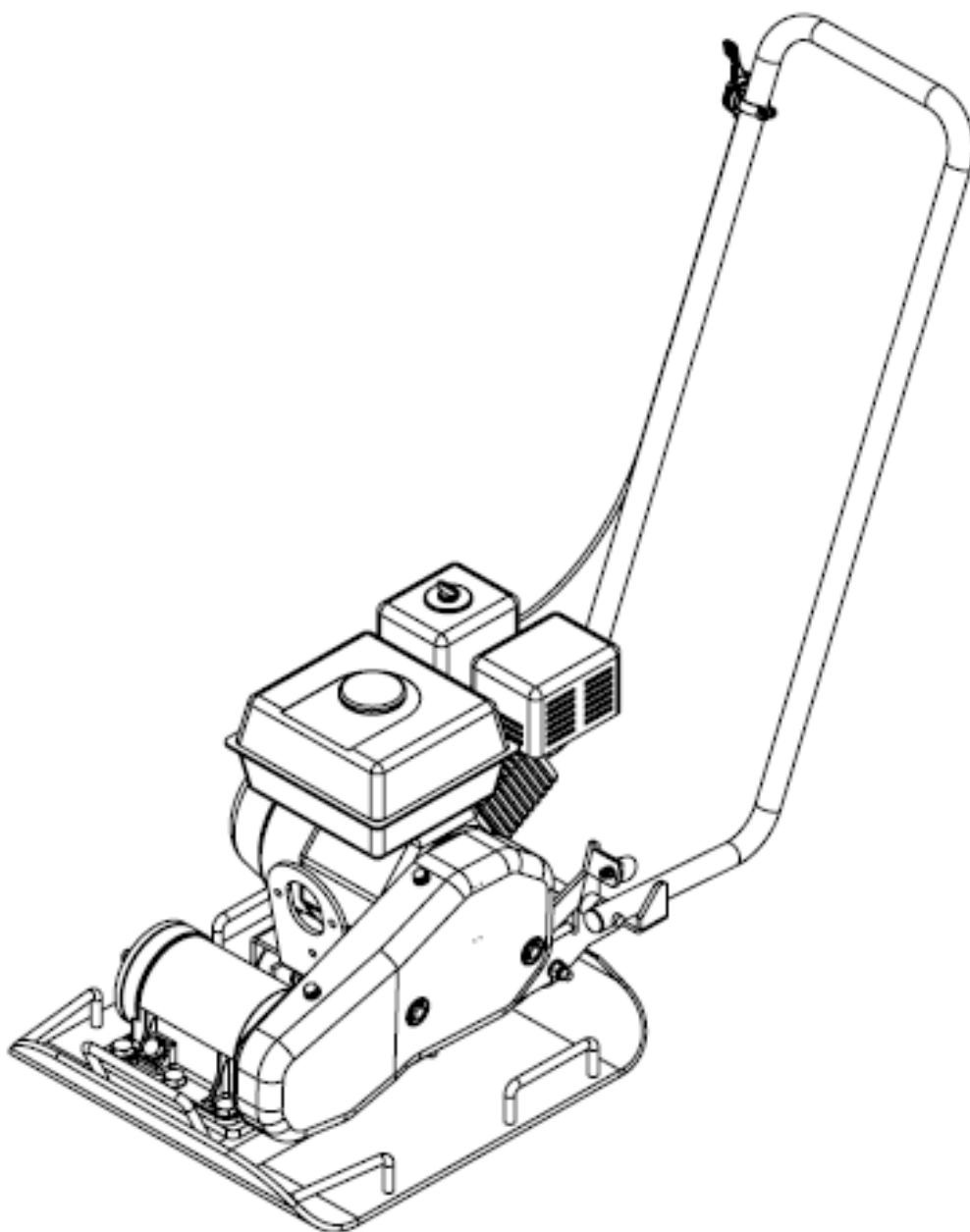


PC70

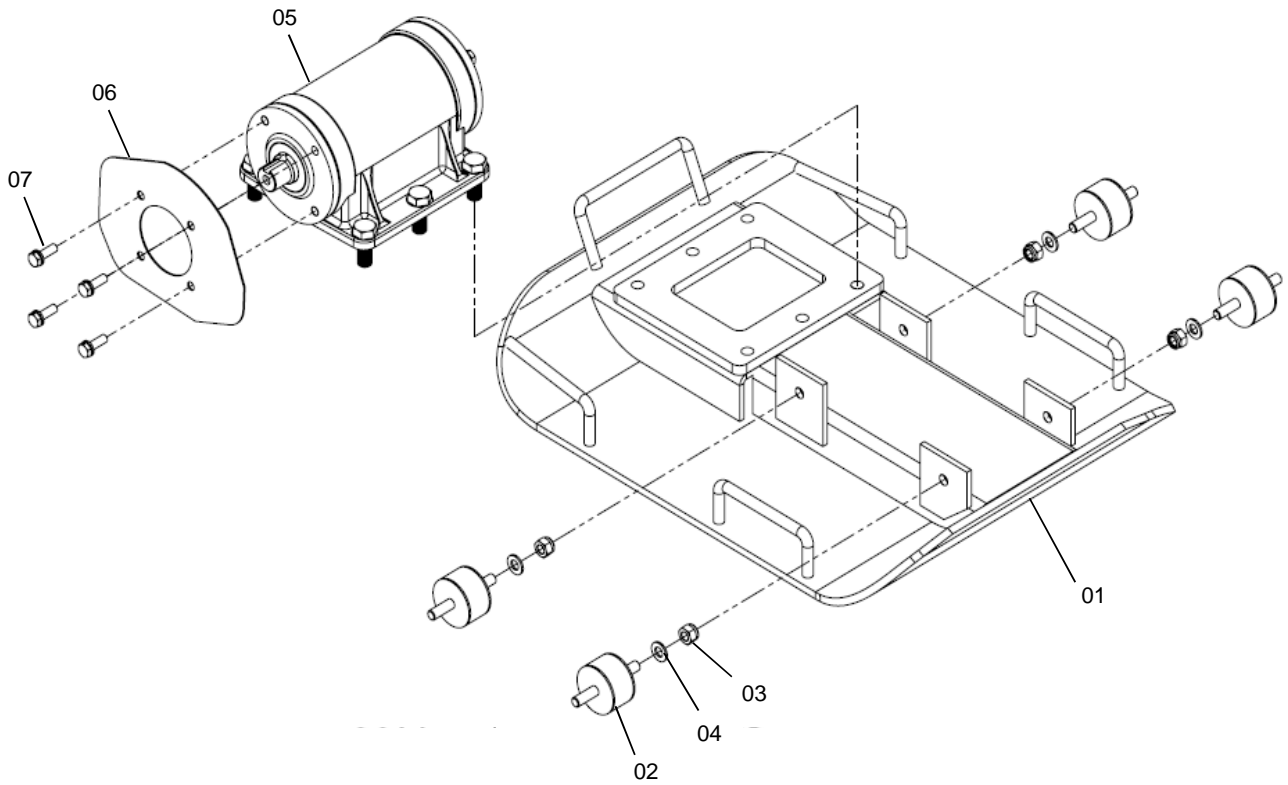


FORWARD PLATE COMPACTOR

Part List Catalogue *Pièces détachées*

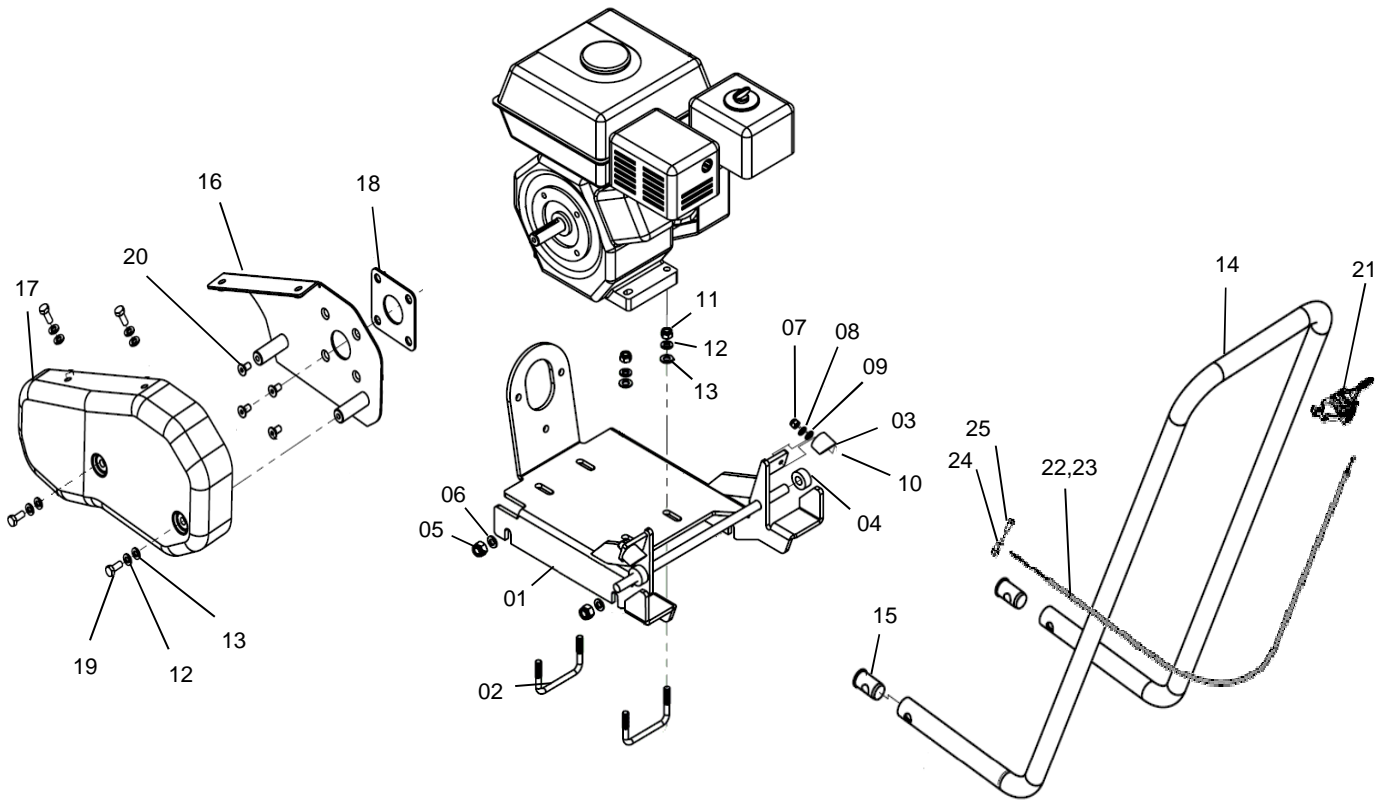


(ENGLISH VERSION)



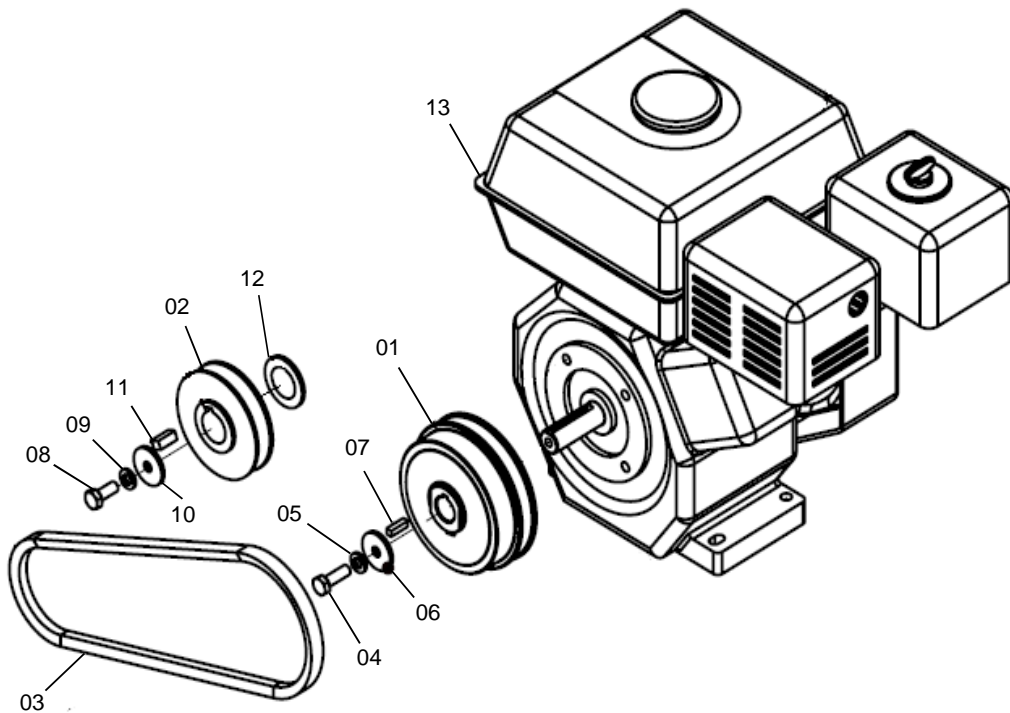
Base Plate & Vibrator Unit Assembly

ITEM NUMBER	PART NUMBER	DESCRIPTION	QUANTITY
1	201.65.11100	Base Plate WA	1
2	201.65.00008	Anti Vibration Mount	4
3		Nyloc Nut M10	4
4		Flat Washer M10	4
5	201.01.00000	Vibrator Unit	1
6	201.65.00011	Belt Protector	1
7		Bolt M8X25	4



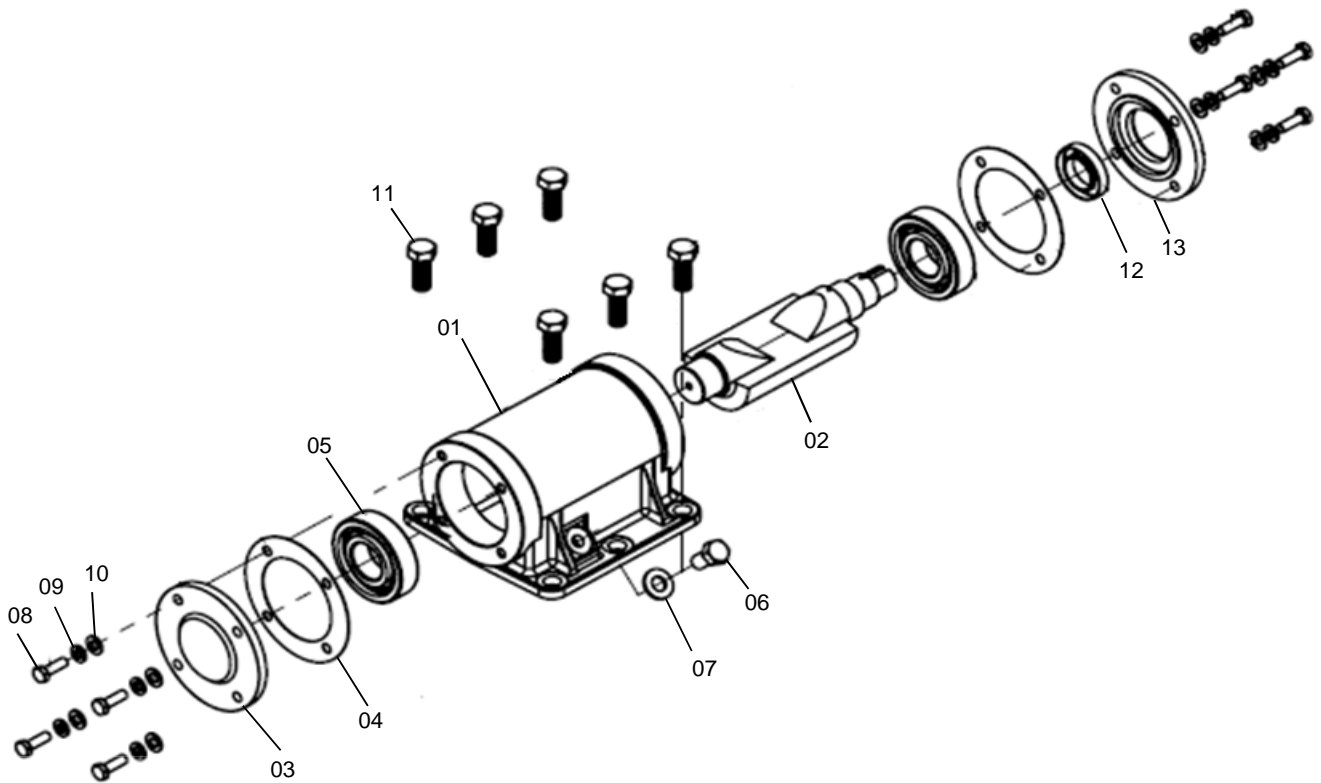
Engine Plate Assembly

ITEM NUMBER	PART NUMBER	DESCRIPTION	QUANTITY
1	201.65.12100	Engine Plate WA	1
2	201.65.00009	U Bolt	2
3	201.65.12001	Handle Stopper	2
4	201.65.12002	Handle Spacer	2
5		Nyloc Nut M10	4
6		Flat Washer M10	4
7		Nyloc Nut M6	2
8		Spring Washer M6	2
9		Flat Washer M6 Form G	2
10		Cap Screw M6X25	2
11		Nyloc Nut M8	4
12		Spring Washer M8	8
13		Flat Washer M8	8
14	201.65.13001	Grab Handle	1
15	201.65.13002	Handle Plug	2
16	201.65.14100	Belt Guard WA	1
17	201.65.00007	Belt Guard Cover	1
18	201.65.00006	Belt Guard Spacer	1
19		Bolt M8X20	4
20		Cap Screw 5/16"x15	4
21	201.65.00014	Throttle Lever	1
22	201.65.00015	Throttle Cable	1
23	201.65.00017	Cable Housing	1
24	201.65.00016	Throttle Hook	1
25		Bolt M5X15	1



Engine and Drive Kit Assembly

ITEM NUMBER	PART NUMBER	DESCRIPTION	QUANTITY
1	201.02.00000	Clutch Pulley	1
2	201.65.00001	Pulley	1
3		V-Belt	1
4		Cap Screw 5/16"x15	1
5	201.65.00003	Clutch Washer	1
6	201.65.00013	Clutch Spacer	1
7	201.65.00012	Clutch Key GX160	1
8		Hexagon Bolt M8X20	1
9		Spring Washer M8	1
10	201.65.00005	Pulley Washer	1
11	201.65.00002	Key	1
12	201.65.00004	Pulley Spacer	1
13	201.65.00010	Engine (HONDA GX160)	1
-	201.65.01000	Drive Unit Repair Kit (Consist of item no 1 to 12)	1 set



Vibrator Unit Assembly (201.01.00000)

ITEM NUMBER	PART NUMBER	DESCRIPTION	QUANTITY
1	201.01.00001	Vibrator Housing	1
2	201.01.00002	Vibrator Shaft	1
3	201.01.00003	Cover Blind	1
4	201.01.00005	Gasket	2
5		Bearing	2
6		Hexagon Bolt 1/2"x 3/4"	1
7	201.01.00006	Seal Washer	1
8		Hexagon Bolt M8x25	8
9		Spring Washer M8	8
10		Flat Washer M8	8
11		Hexagon Bolt M14x35	6
12		Oil Seal	1
13	201.01.00004	Cover Pulley	1
-	201.01.01000	Vibrator Unit Repair Kit 1 (Consist of item no 4,5 & 12)	1 Set

Paclite Equipment a brand within Uni-Corp

UNI-Corp Europe



+33 (0) | 49 81 69 55

Paclite Equipment



+33 (0) | 48 98 40 88

33, avenue Pierre Brossolette

94085 Créteil -FRANCE

www.paclite-equip.com