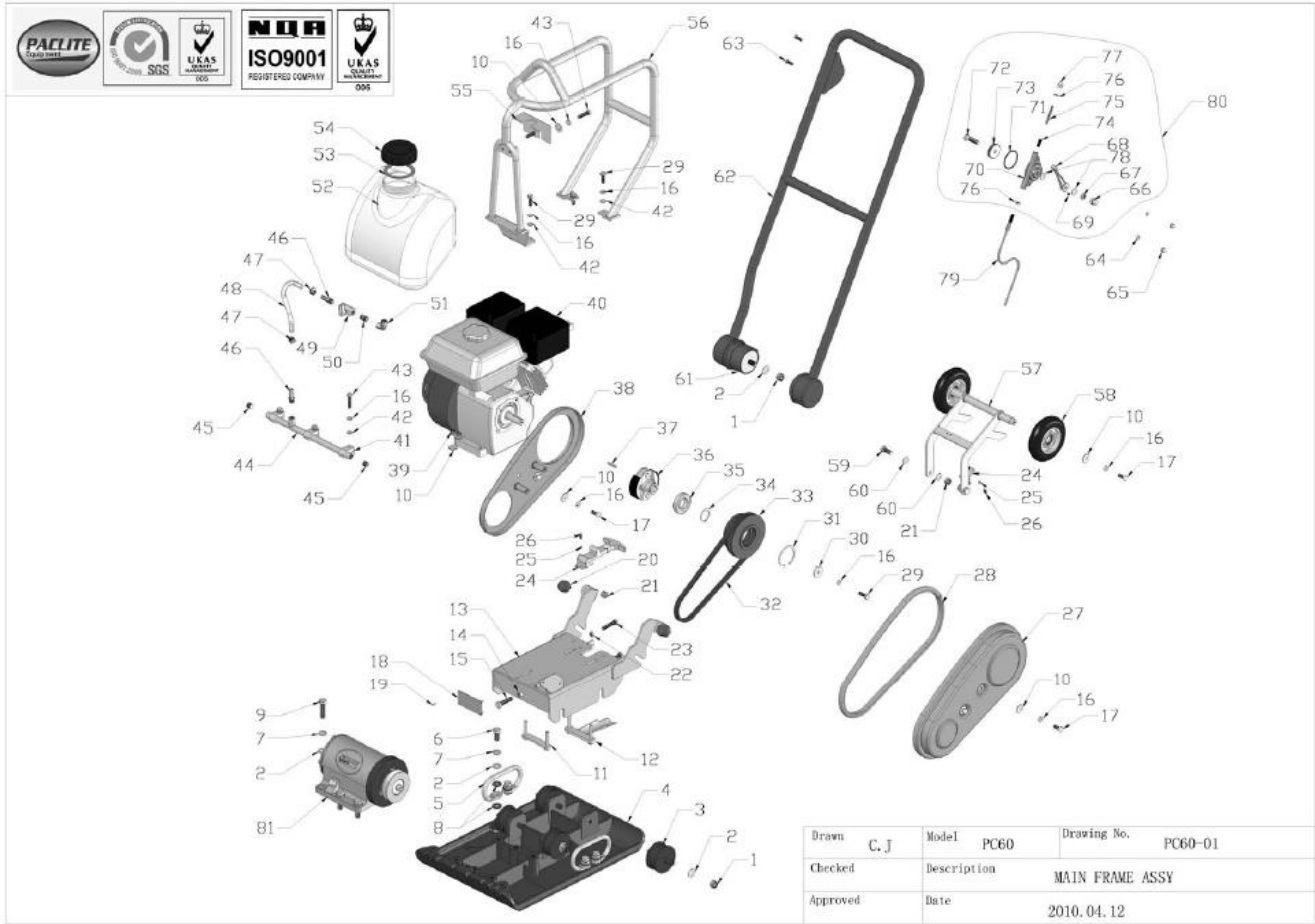
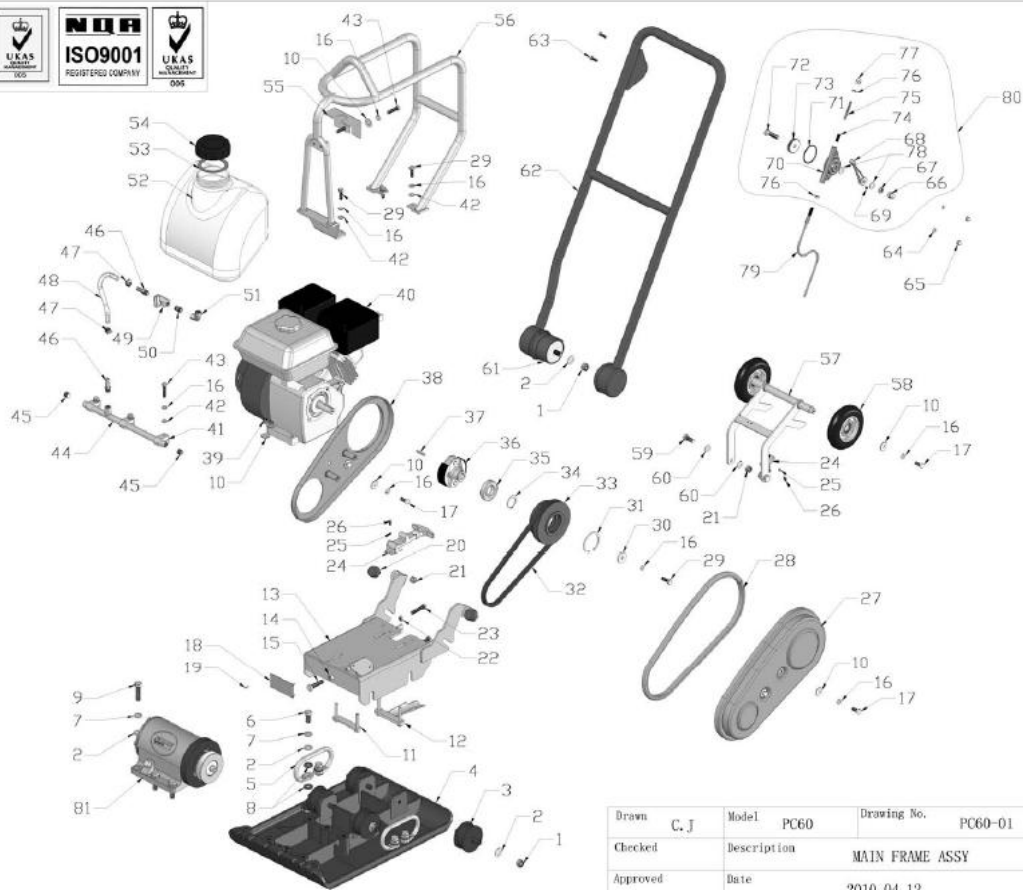


# PC60-01 MAIN FRAME ASSY.

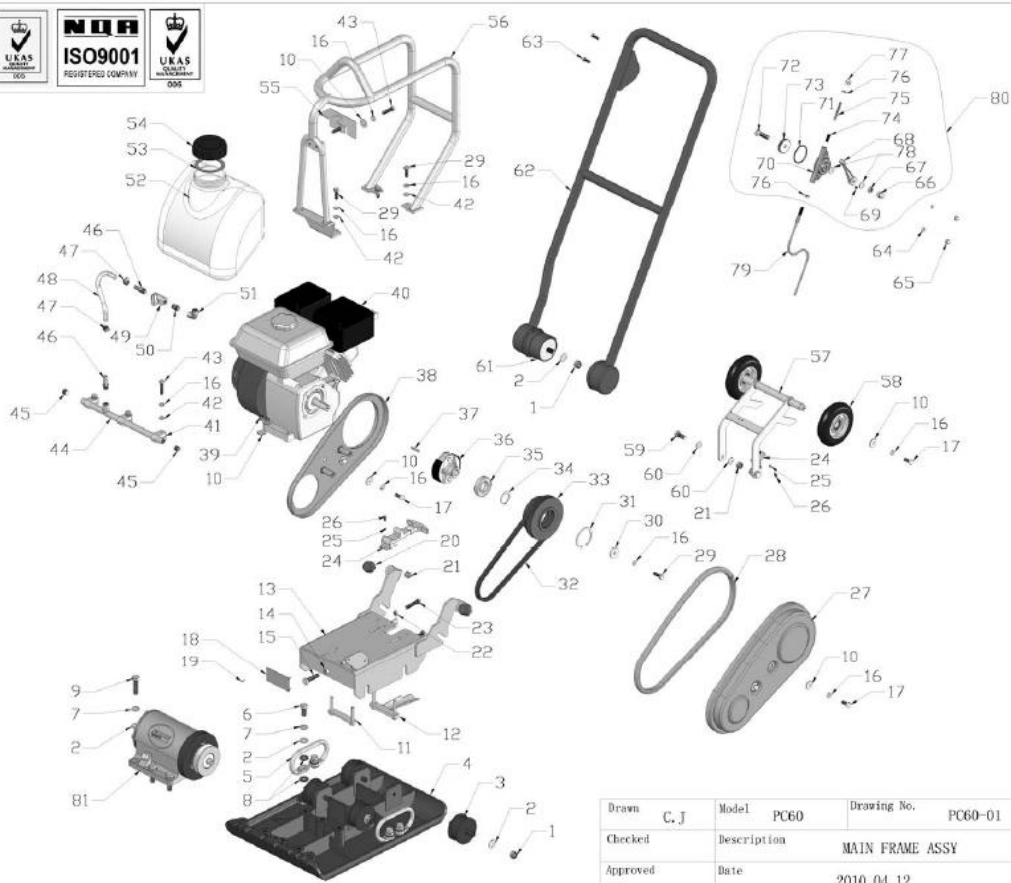


NO.	PART NO.	PART DESCRIPTION	QTY
01-1	PC60-IN.N-M12-DIN-1	LOCK NUT	6
01-2	PC60-FN.W12-DIN-1	WASHER	16
01-3	PC60-60III-060100	CUSHION	4
01-4	PC60-60W-010100S	BASE PLATE	1
01-5	PC60-90P-010100	HANDLE	2
01-6	PC60-FN.B-M12x25-8.8-DIN-1	BOLT	4
01-7	PC60-HSPG.W12-DIN-1	SPRING WASHER,TANG ENDS	10
01-8	PC60-90P-010600	RUBBER WASHER	8
01-9	PC60-HS.B-M12x45-12.9-GB-3	SCREW	6
01-10	PC60-WOD.W8-GB-1	WASHER	14
01-11	PC60-60-060200	BOLT	1
01-12	PC60-90P-031000	FIX ENGINE BOLT	1
01-13	PC60-60W-020100	ENGINE BASE	1
01-14	PC60-FN.N-M10-DIN-1	NUT	1
01-15	PC60-FN.B-M10x45-8.8-DIN-1	BOLT	1
01-16	PC60-HSPG.W8-DIN-1	SPRING WASHER,TANG ENDS	24
01-17	PC60-FN.B-M8x20-8.8-DIN-1	BOLT	6
01-18	PC60-80-0409	NAMEPLATE	1
01-19	PC60-K.RVT-3.2x11	RIVET	4
01-20	PC60-80-0408	CUSHION	2
01-21	PC60-IN.N-M10-DIN-1	LOCK NUT	4
01-22	PC60-FN.N-M8-DIN-1	NUT	2



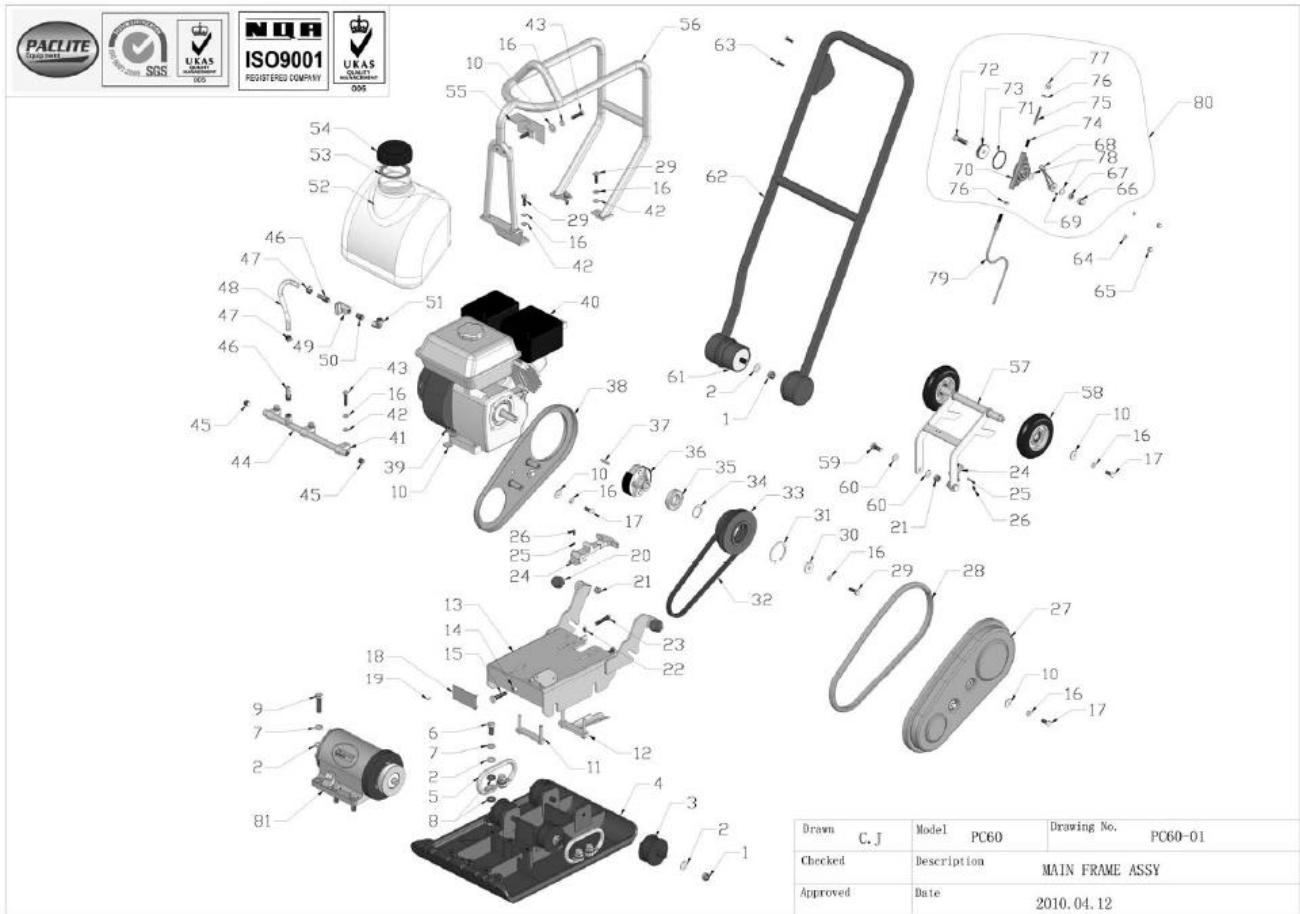
Drawn	C, J	Model	PC60	Drawing No.	PC60-01
Checked		Description	MAIN FRAME ASSY		
Approved		Date	2010.04.12		

NO.	PART NO.	PART DESCRIPTION	QTY
01-23	PC60-FN.B-M8x45-8.8-DIN-1	BOLT	2
01-24	PC60-500S-010505	BUCKLE	1
01-25	PC60-SPG.W5-DIN-1	SPRING WASHER	4
01-26	PC60-FN.B-M5x10-8.8-DIN-1	BOLT	4
01-27	PC60-60W-060200	OUTER BELT GUARD	1
01-28	PC60-60W-060300	SEAL	1
01-29	PC60-FN.B-M8x25-8.8-DIN-1	BOLT	5
01-30	PC60-80-0319	WASHER	1
01-31	PC60-CH.RG55	INTERNAL CIRCLIP	1
01-32	PC60-W02-A30	V-BELT	1
01-33	PC60-40-0318	CLUTCH PULLEY	1
01-34	PC60-CS.RG30	EXTERNAL CIRCLIP	1
01-35	PC60-W01-6006ZZ-J	BEARING	1
01-36	PC60-80-0500C	CENTRIFUGAL CLUTCH	1
01-37	PC60-Key.C-5x5x32	KEY	1
01-38	PC60-60W-060100	INNER BELT GUARD	1
01-39	PC60-IN.N-M8-DIN-1	LOCK NUT	4
01-40	PC60-W05-GX120	ENGINE	1
01-41	PC60-90P-010901	HOOP	3
01-42	PC60-FN.W8-DIN-1	WASHER	15
01-43	PC60-FN.B-M8x35-8.8-DIN-1	BOLT	5
01-44	PC60-60W-010800	SPRINKLING PIPE	1
01-45	PC60-HSHOS.B-ZG1-4	HEXAGONAL SOCKET HEAD PLUG	2



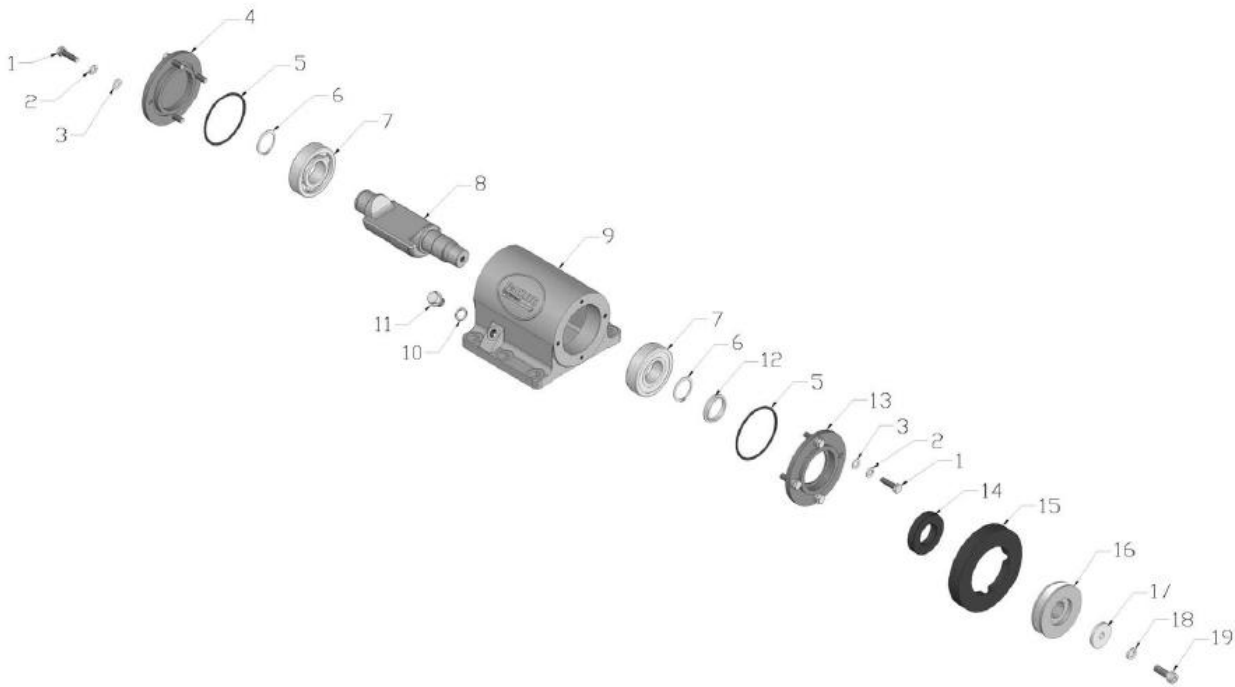
Drawn	C. J	Model	PC60	Drawing No.	PC60-01
Checked		Description	MAIN FRAME ASSY		
Approved		Date	2010.04.12		

NO.	PART NO.	PART DESCRIPTION	QTY
01-46	PC60-CPT-BT-1/4-10	HOSE NIPPLE	2
01-47	PC60-90P-070006	HOSE CLAMP	2
01-48	PC60-60W-010700	HOSE	1
01-49	PC60-QF-1/4-NI	VALVE	1
01-50	PC60-CPT-BT-1/4	JOINT	1
01-51	PC60-CPT-JT-ZG1/4	90° ELBOW	1
01-52	PC60-90P-070000	WATER TANK	1
01-53	PC60-6.5-070109	SEAL,WATER TANK COVER	1
01-54	PC60-6.5-070108	WATER TANK CAP	1
01-55	PC60-90P-050300	WATER TANK CLIP	1
01-56	PC60-60W-050100	WATER TANK FRAME	1
01-57	PC60-60W-040100	WHEEL FRAME	1
01-58	PC60-60W-040200	WHEEL	2
01-59	PC60-FN.B-M10x25-8.8-DIN-1	BOLT	2
01-60	PC60-FN.W10-DIN-1	WASHER	4
01-61	PC60-40-060300	HANDRAIL ABSORBER	2
01-62	PC60-60W-030100	HANDRAIL	1
01-63	PC60-FN.B-M6x20-8.8-DIN-2	BOLT	2
01-64	PC60-HSPG.W6-DIN-2	SPRING WASHER,TANG ENDS	2
01-65	PC60-HC.N-M6-DIN-2	CAP NUT	2
01-66	PC60-HC.N-M10-DIN-2	CAP NUT	1
01-67	PC60-FNL.N-M10-DIN-2	HEXAGON THIN NUT	1
01-68	PC60-70ND-060000	THROTTLE LEVER	1



01-69	PC60-FHSS.S-M6x8-GB-3	SOCKET SCREW WITH FLAT HEAD	1
01-70	PC60-70ND-060001	THROTTLE BODY	1
01-71	PC60-W04-45x3	O-RING	1
01-72	PC60-70ND-060003	BOLT	1
01-73	PC60-70ND-060002	THROTTLE GEAR	1
01-74	PC60-FHSS.S-M8x20-GB-3	SOCKET SCREW WITH FLAT HEAD	1
01-75	PC60-70ND-060004	SLIDER	1
01-76	PC60-FNL.N-M8-DIN-2	HEXAGON THIN NUT	2
01-77	PC60-HC.N-M8-DIN-2	CAP NUT	1
01-78	PC60-FN.W10-DIN-2	WASHER	2
01-79	PC60-W06-S04-L800x1000	THROTTLE CABLE	1
01-80	PC60-70ND-010018	THROTTLE LEVER ASSY	1
01-81	PC60-02	EXCITER HOUSING ASSY	1

# PC60-02 EXCITER HOUSING ASSY.



Drawn	C. J	Model	PC60	Drawing No.	PC60-02
Checked		Description	EXCITER HOUSING ASSY		
Approved		Date	2010. 04. 12		

NO.	PART NO.	PART DESCRIPTION	QTY
02-1	PC60-FN.B-M8x30-8.8-DIN-1	BOLT	8
02-2	PC60-HSPG.W8-DIN-1	SPRING WASHER,TANG ENDS	8
02-3	PC60-FN.W8-DIN-1	WASHER	8
02-4	PC60-60-010400	CLOSE COVER	1
02-5	PC60-W04-80x3.5	O RING	2
02-6	PC60-CS.RG35	EXTERNAL CIRCLIP	2
02-7	PC60-W01-6307Z-J	BEARING	2
02-8	PC60-60W-010200	EXCITER SHAFT	1
02-9	PC60-60-010200P	EXCITER HOUSING	1
02-10	PC60-GB97.1-M14	CUPRUM WASHER	1
02-11	PC60-HHOS.B-M14x1.5	HEXAGON HEAD PLUG	1
02-12	PC60-60-010700	BUSH	1
02-13	PC60-60-010300	COVER	1
02-14	PC60-W03-65x35x12	OIL SEAL	1
02-15	PC60-60III-010500	COVER GUARD	1
02-16	PC60-40-060200	EXCITER PULLEY	1
02-17	PC60-60-060301	WASHER	1
02-18	PC60-HSPG.W10-DIN-1	SPRING WASHER,TANG ENDS	1
02-19	PC60-90B-010800	VENT SCREW	1