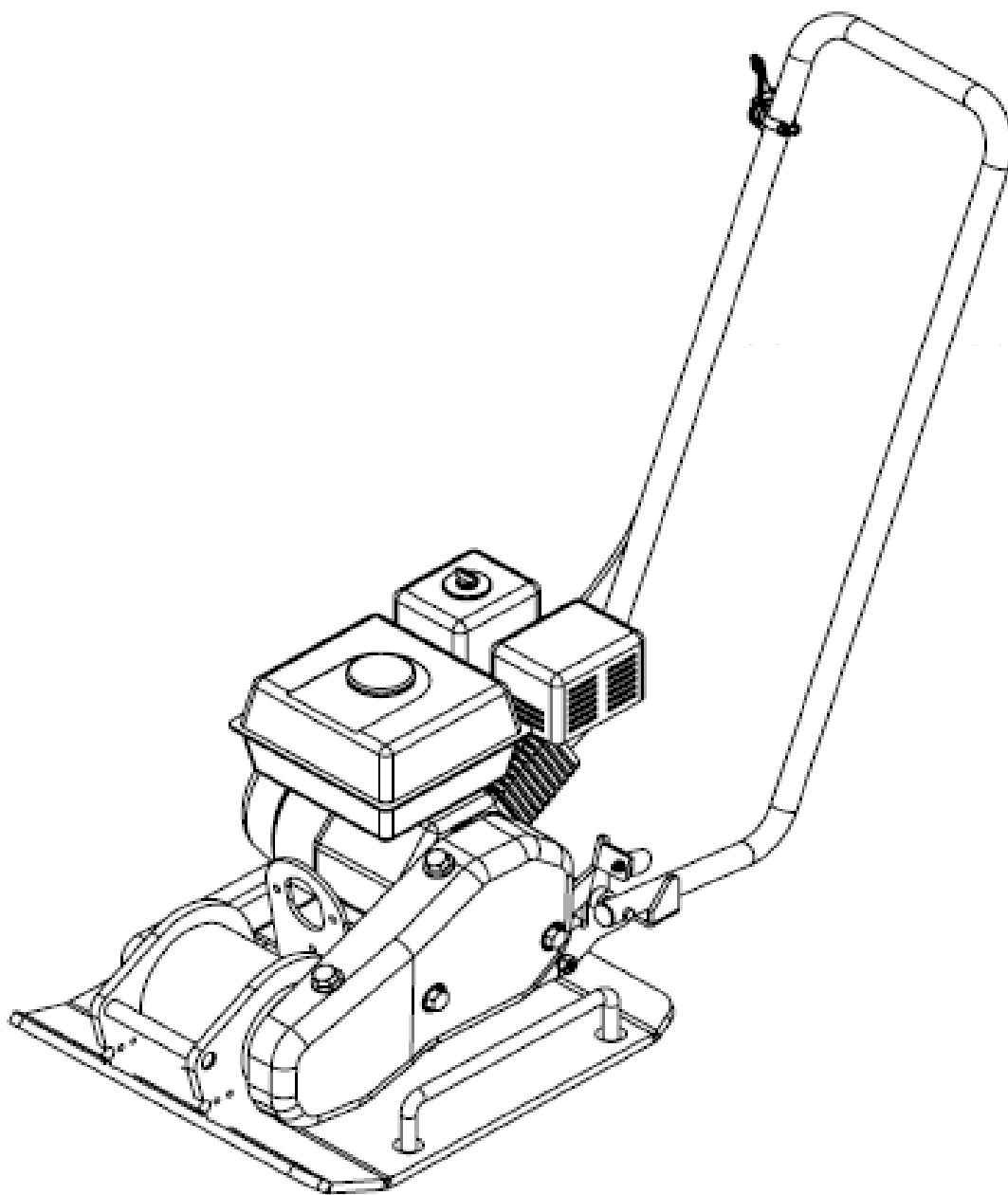


# PC80

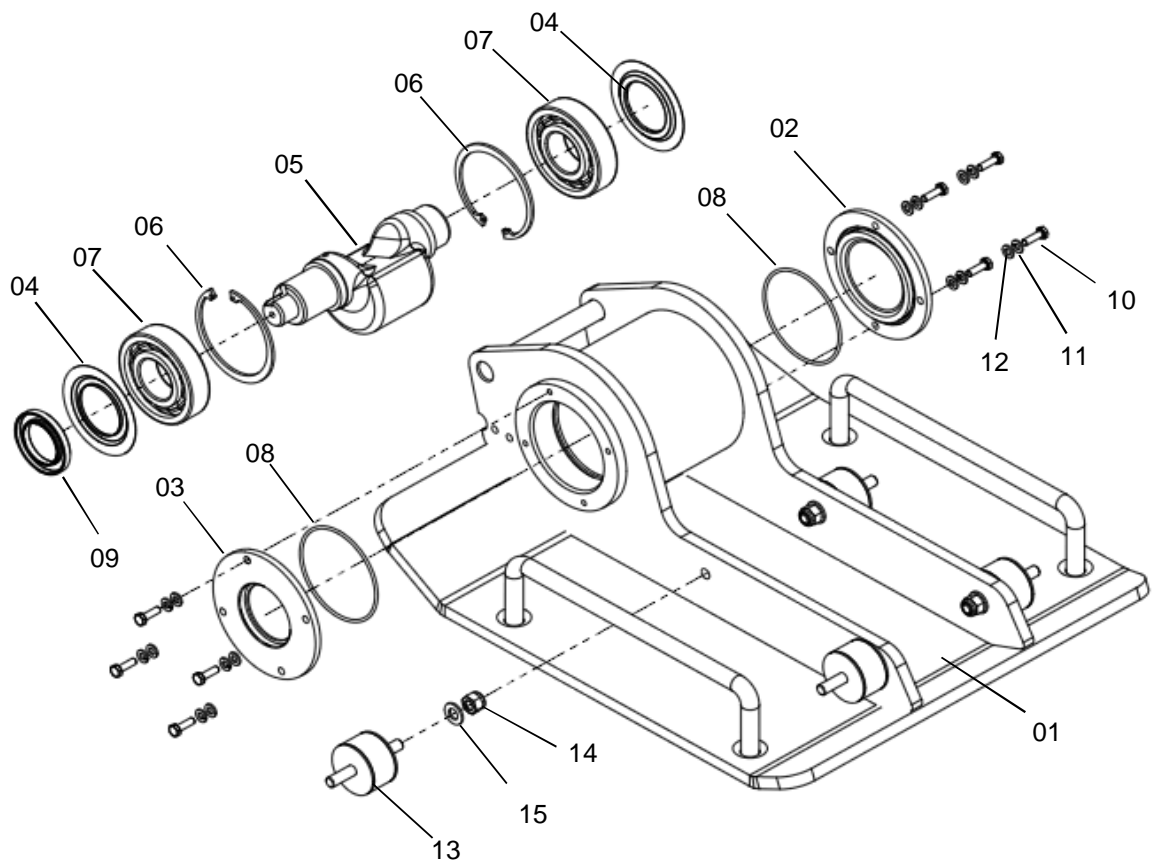


## FORWARD PLATE COMPACTOR

### Part List Catalogue *Pièces détachées*

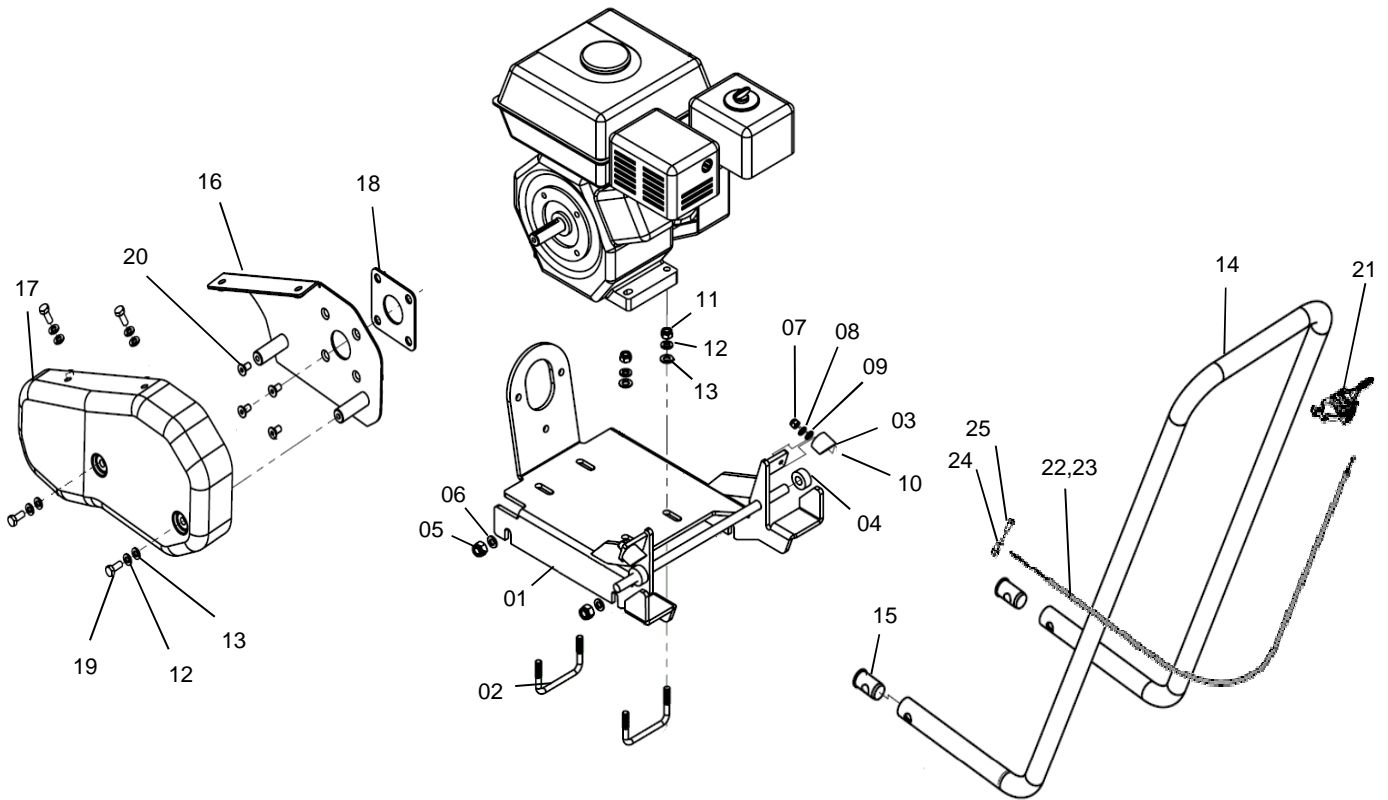


(ENGLISH VERSION)



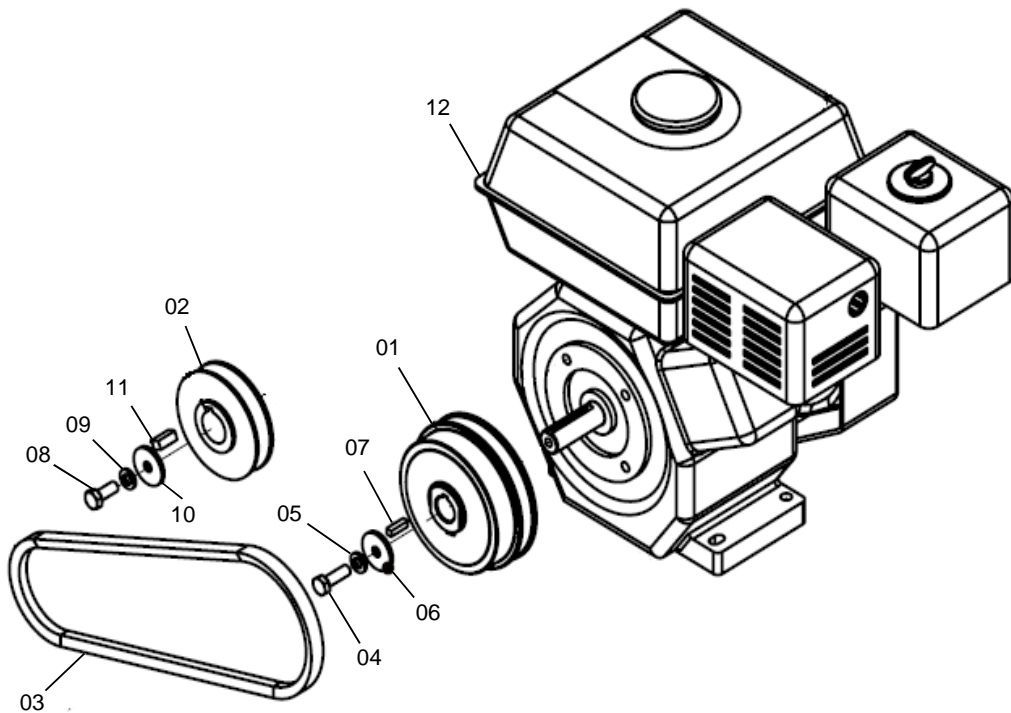
## Base Plate Assembly

ITEM NUMBER	PART NUMBER	DESCRIPTION	QUANTITY
1	201.80.11100	Base Plate WA	1
2	201.80.11001	Cover Blind	1
3	201.80.11002	Cover Pulley	1
4	201.80.11003	Nilos Ring	2
5	201.80.11004	Eccentric Shaft	1
6		Retaining Ring	2
7		Bearing	2
8		O Ring	2
9		Oil Seal	1
10		Hex Bolt M6X20	8
11		Spring Washer M6	8
12		Flat Washer M6	8
13	201.65.00008	Anti Vibration Mount	4
14		Flat Washer M10	4
15		Nyloc Nut M10	4
-	201.80.01000	Repair Kit (consist of item no 4,7,8 & 9)	1



## Engine Plate Assembly

ITEM NUMBER	PART NUMBER	DESCRIPTION	QUANTITY
1	201.65.12100	Engine Plate WA	1
2	201.65.00009	U Bolt	2
3	201.65.12001	Handle Stopper	2
4	201.65.12002	Handle Spacer	2
5		Nyloc Nut M10	4
6		Flat Washer M10	4
7		Nyloc Nut M6	2
8		Spring Washer M6	2
9		Flat Washer M6 Form G	2
10		Cap Screw M6X25	2
11		Nyloc Nut M8	4
12		Spring Washer M8	8
13		Flat Washer M8	8
14	201.65.13001	Grab Handle	1
15	201.65.13002	Handle Plug	2
16	201.65.14100	Belt Guard WA	1
17	201.65.00007	Belt Guard Cover	1
18	201.65.00006	Belt Guard Spacer	1
19		Bolt M8X20	4
20		Cap Screw 5/16"x15	4
21	201.65.00014	Throttle Lever	1
22	201.65.00015	Throttle Cable	1
23	201.65.00017	Cable Housing	1
24	201.65.00016	Throttle Hook	1
25		Bolt M5X15	1



## Engine and Drive Kit Assembly

ITEM NUMBER	PART NUMBER	DESCRIPTION	QUANTITY
1	201.02.00000	Clutch Pulley	1
2	201.65.00001	Pulley	1
3		V-Belt	1
4		Cap Screw 5/16"x15	1
5	201.65.00003	Clutch Washer	1
6	201.65.00013	Clutch Spacer	1
7	201.65.00012	Clutch Key GX160	1
8		Hexagon Bolt M8X20	1
9		Spring Washer M8	1
10	201.75.00003	Shaft Washer	1
11	201.65.00002	Key	1
12	201.65.00010	Engine (HONDA GX160)	1
-	201.65.01000	Drive Unit Repair Kit (Consist of item no 1 to 12)	1 set

## **Paclite Equipment a brand within Uni-Corp**

---

**UNI-Corp Europe**



**+33 (0) | 49 81 69 55**

**Paclite Equipment**



**+33 (0) | 48 98 40 88**

**33, avenue Pierre Brossolette**

**94085 Créteil -FRANCE**

**[www.paclite-equip.com](http://www.paclite-equip.com)**