



IMPACT 200D

Spare parts

Pièces de rechange

Reservdelar

Spare part's Manual



Manufacturer

Uni-corp Europe S.A.R.L. Paclite Equipment

33 Avenue Pierre Brossolette,
94048 Créteil Cedex,
FRANCE



+33 (0) 1 49 81 69 55



+33 (0) 1 48 98 40 88



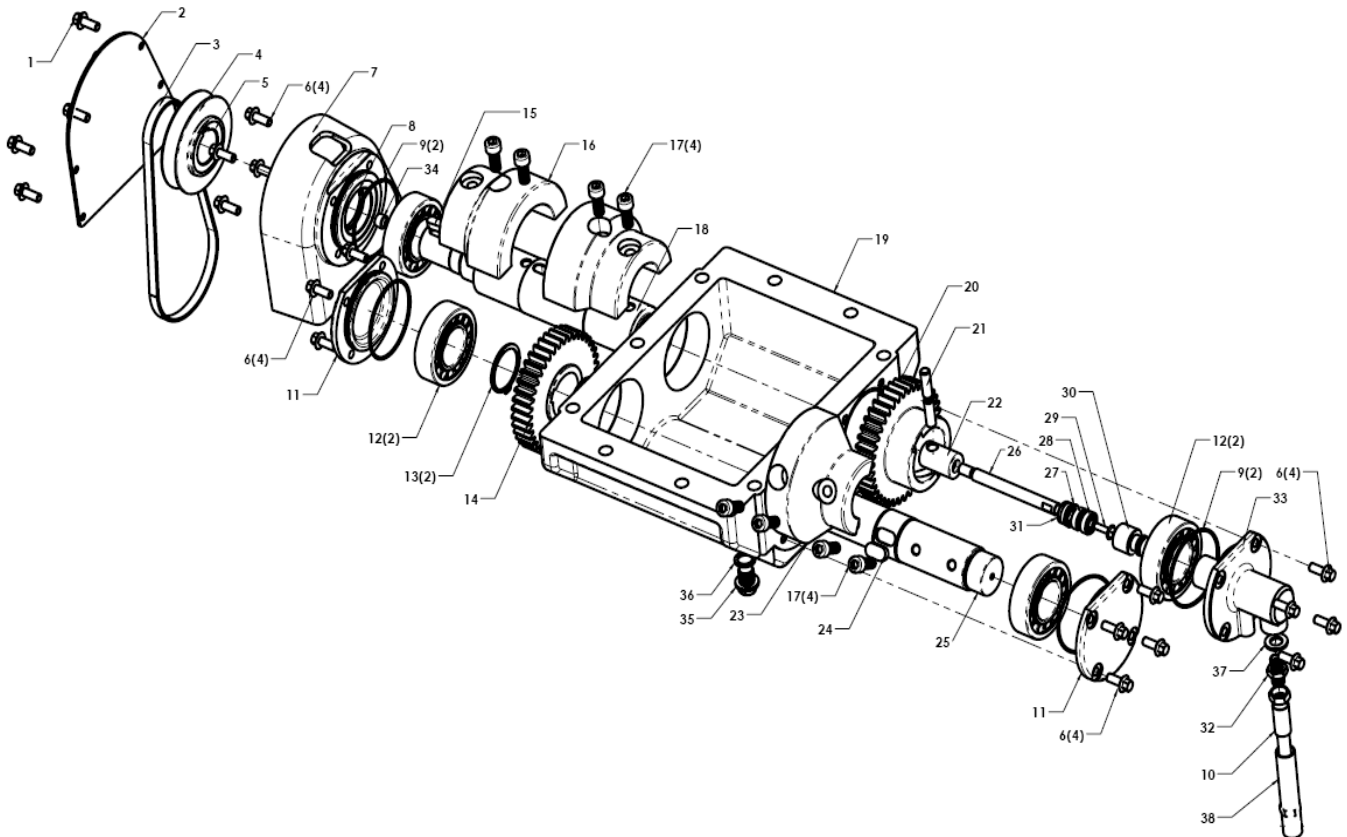
sales@paclite-equip.com



paclite-equip.com



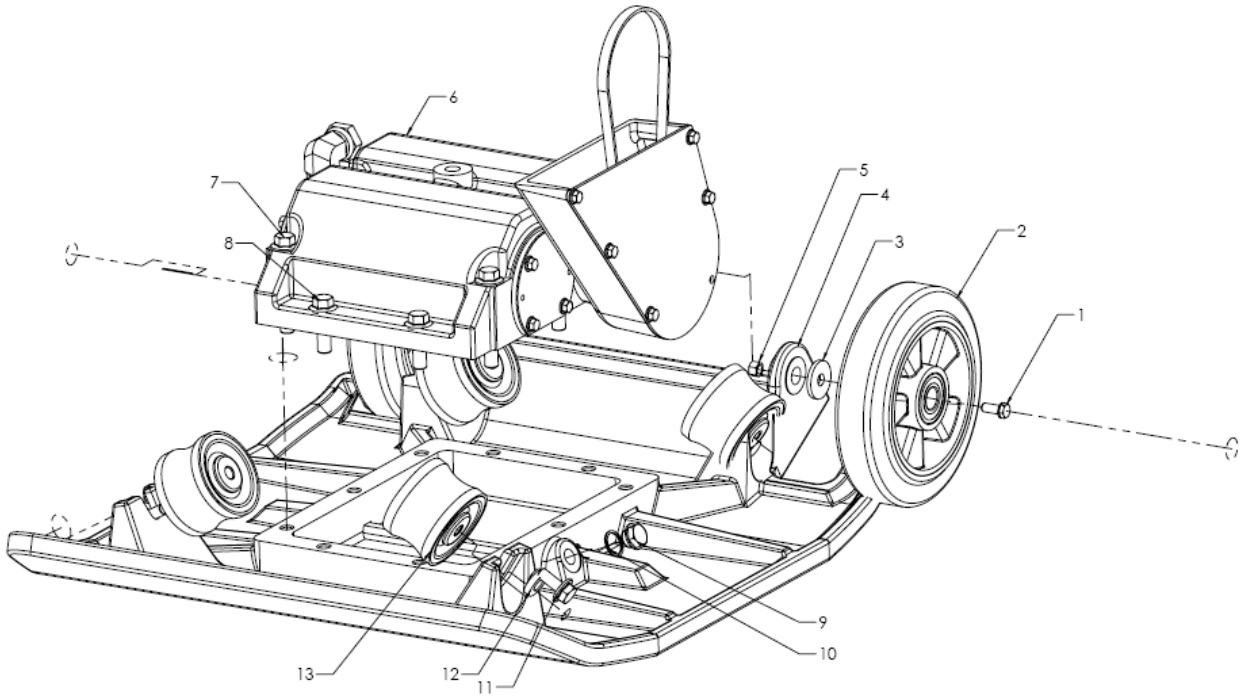
GEARBOX ASSEMBLY



NO.	PART NAME	QTY
01-1	Bolt	6
01-2	V-belt Seal Sheet	1
01-3	V-belt	1
01-4	Gear Box Pulley	1
01-5	Taper Bore Bush	1
01-6	Bolt	16
01-7	V-belt Cover Base Plate	1
01-8	Gear Box Oil seal	1
01-9	Oil ring	4
01-10	Hydraulic Hose	1
01-11	Bearing Cover	2
01-12	Roller bearing	4
01-13	Circlip-Secondary Axle	2
01-14	Secondary gear	1
01-15	Primary Axle key	1
01-16	Eccentric weight-primary	2
01-17	Socket Head Screw	8
01-18	Primary Axle	1
01-19	GearBox	1
01-20	Switch gear	1
01-21	Led pin	1
01-22	Guide led Pin	1
01-23	Eccentric weight-Secondary	2
01-24	Secondary Axle Key	1
01-25	Secondary axle	1
01-26	Plunger rod	1
01-27	Circlip-Switch Plunger	1
01-28	Ball bearing	2
01-29	Bolt	1
01-30	Switch Plunger	1
01-31	Oil Seal-Plunger	1
01-32	GB Connector	1
01-33	Switch Cylinder	1

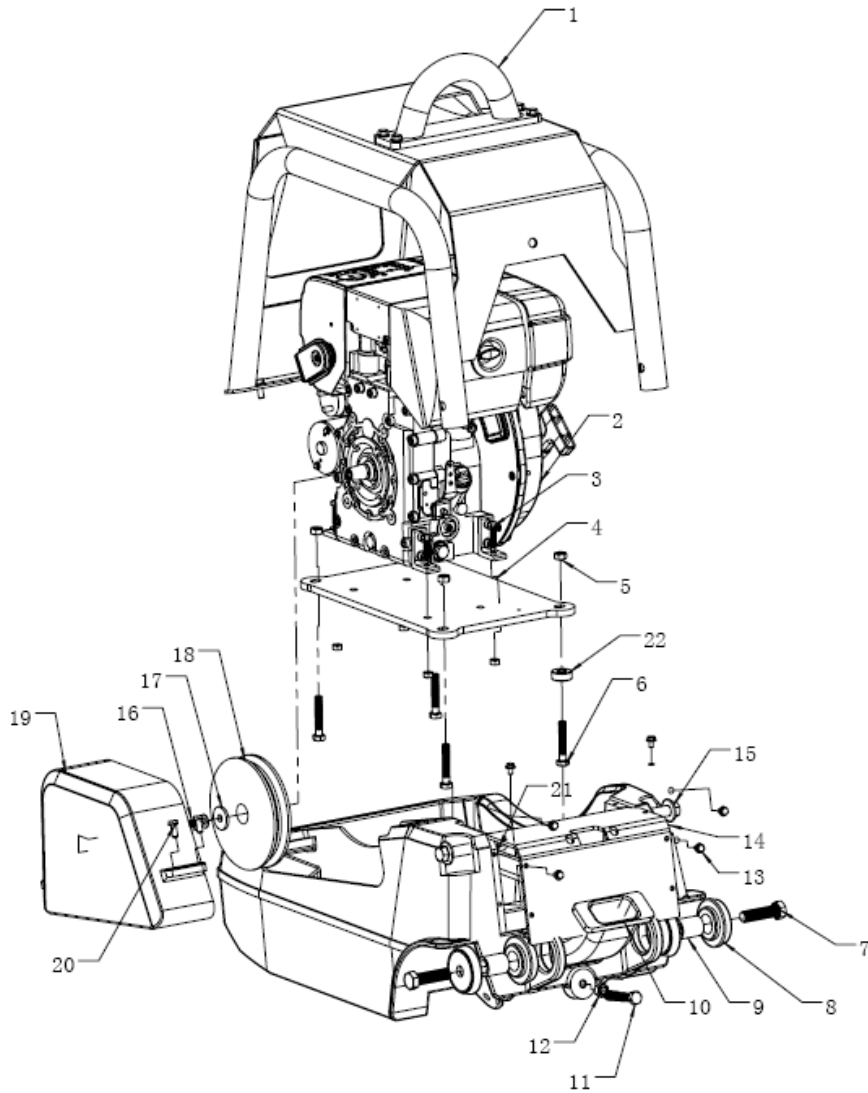
01-34	Socket Screw	1
01-35	Bolt	1
01-36	Washer	1
01-37	Washer	1
01-38	Sprrial Guard	1

BASEPLATE ASSEMBLY



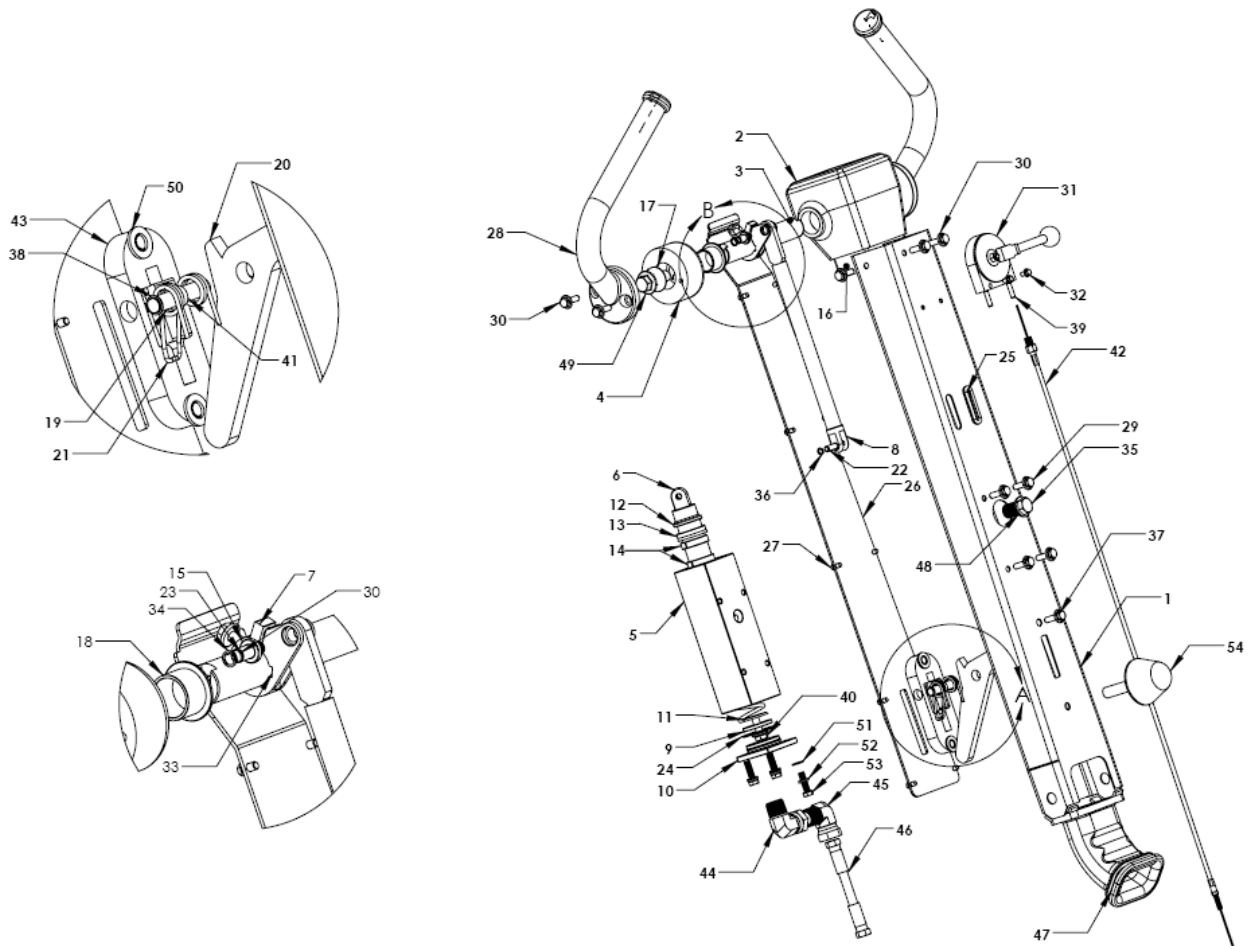
NO.	PART NAME	QTY
02-1	Wheel Bolt	2
02-2	Wheel	2
02-3	Wheel Bolt Bush	2
02-4	Base Plate	1
02-5	Hexagonal Nut	2
02-6	GearBox Assembly	1
02-7	Bolt	6
02-8	Bolt	4
02-9	Bolt	1
02-10	Washer	1
02-11	Bolt	8
02-12	Base Plate Precision mount	4
02-13	Shock Mount	4

ENGINE BASE ASSEMBLY



NO.	PART NAME	QTY
03-1	Safety Cover Assembly	1
03-2	Engine	1
03-3	Bolt	4
03-4	Engine Mount Plate	1
03-5	Lock Nut	1
03-6	Bolt	4
03-7	Bolt	2
03-8	Handle Bar Shock mount	4
03-9	Distance Pipe	2
03-10	Handle Bar Tube	1
03-11	Bolt	1
03-12	Nut	1
03-13	Bolt	6
03-14	Cover Front- Welding	1
03-15	Bolt	2
03-16	Bolt	1
03-17	Washer	1
03-18	Centrifugal Clutch	1
03-19	Cover V-Belt	1
03-20	Bolt	4
03-21	Hexagonal Nut	2
03-22	Engine Block	4

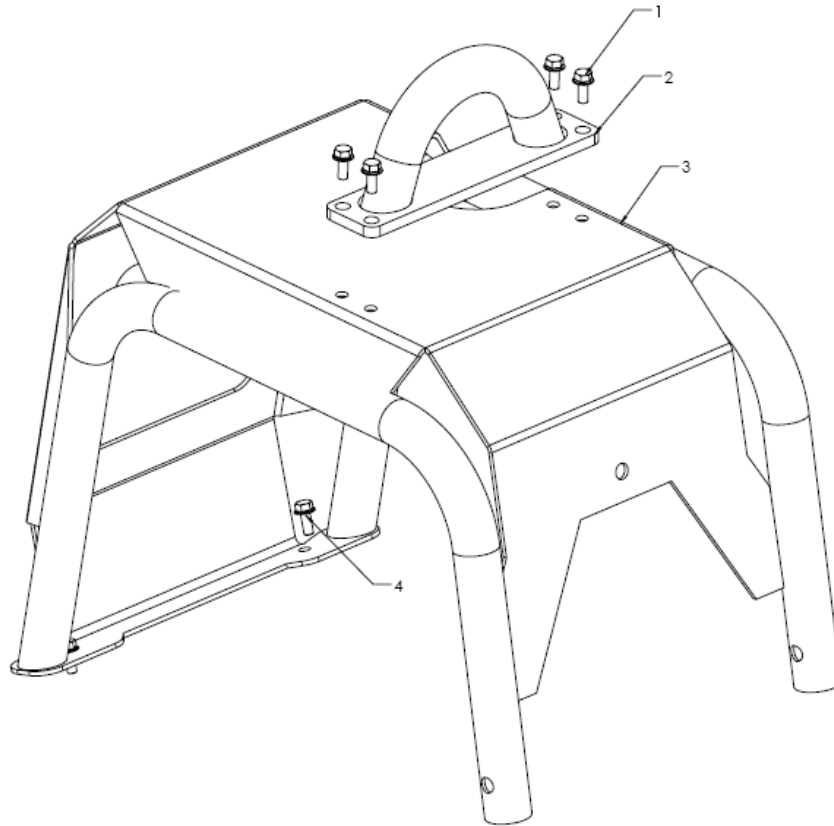
HANDLE BAR ASSEMBLY



NO.	PART NAME	QTY
04-1	Handle Support Welding	1
04-2	Handle Bar Housing	1
04-3	Handle Bar Axis	1
04-4	Shift handle Bar Shock Mount	2
04-5	Cylinder	1
04-6	Piston	1
04-7	Handle Lever	1
04-8	Shift Bar Weldment	1
04-9	Spring Holding Plate	1
04-10	Cylinder Cover	1
04-11	Cylinder Spring	1
04-12	Dust cover	1
04-13	Oil seal	1
04-14	Guide ring	2
04-15	Brass Bush	2
04-16	LockNut	4
04-17	Washer	2
04-18	Brass Bush	2
04-19	Hook Pin	1
04-20	Hook	1
04-21	Hair Spring	1
04-22	Eye pin-pin 8x26	1
04-23	Handle lever pin(pin 10x28)	1
04-24	O-ring	1
04-25	Cable slot rubber	1
04-26	Handle bar	1
04-27	Bolt	10
04-28	Shift handle bar assembly	2
04-29	Bolt	4
04-30	Bolt	8
04-31	Control lever	1
04-32	Bolt	2
04-33	key	1

04-34	Circlip	2
04-35	Bolt	1
04-36	Circlip	2
04-37	Bolt	1
04-38	Circlip	2
04-39	Split Pin	2
04-40	Bolt	1
04-41	Hook Pin Nylon Bracket	2
04-42	Control Cable	1
04-43	Hook Frame	1
04-44	Connector	1
04-45	Connector-2	1
04-46	Hydraulic Hose	1
04-47	HandleBar Tube	1
04-48	Washer	1
04-49	Bolt	2
04-50	Washer	2
04-51	Washer	4
04-52	Washer	4
04-53	Bolt	4
04-54	HandleBar Touch	1

SAFETY COVER ASSEMBLY



NO.	PART NAME	QTY
05-1	Safety Cover Weldment	1
05-2	Bolt	4
05-3	Bolt	4
05-4	Lift eye	1

