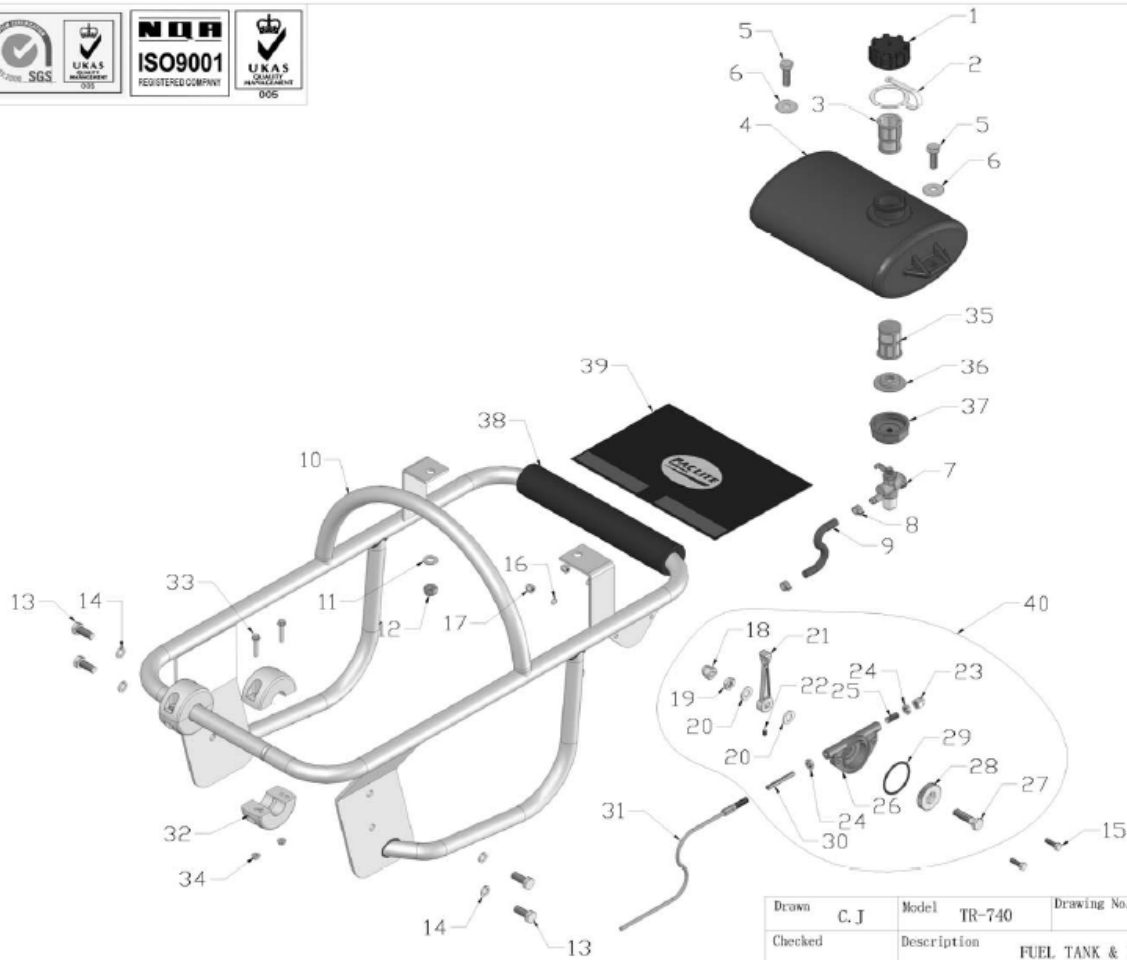


TR-740-01 FUEL TANK & HANDLE ASSY

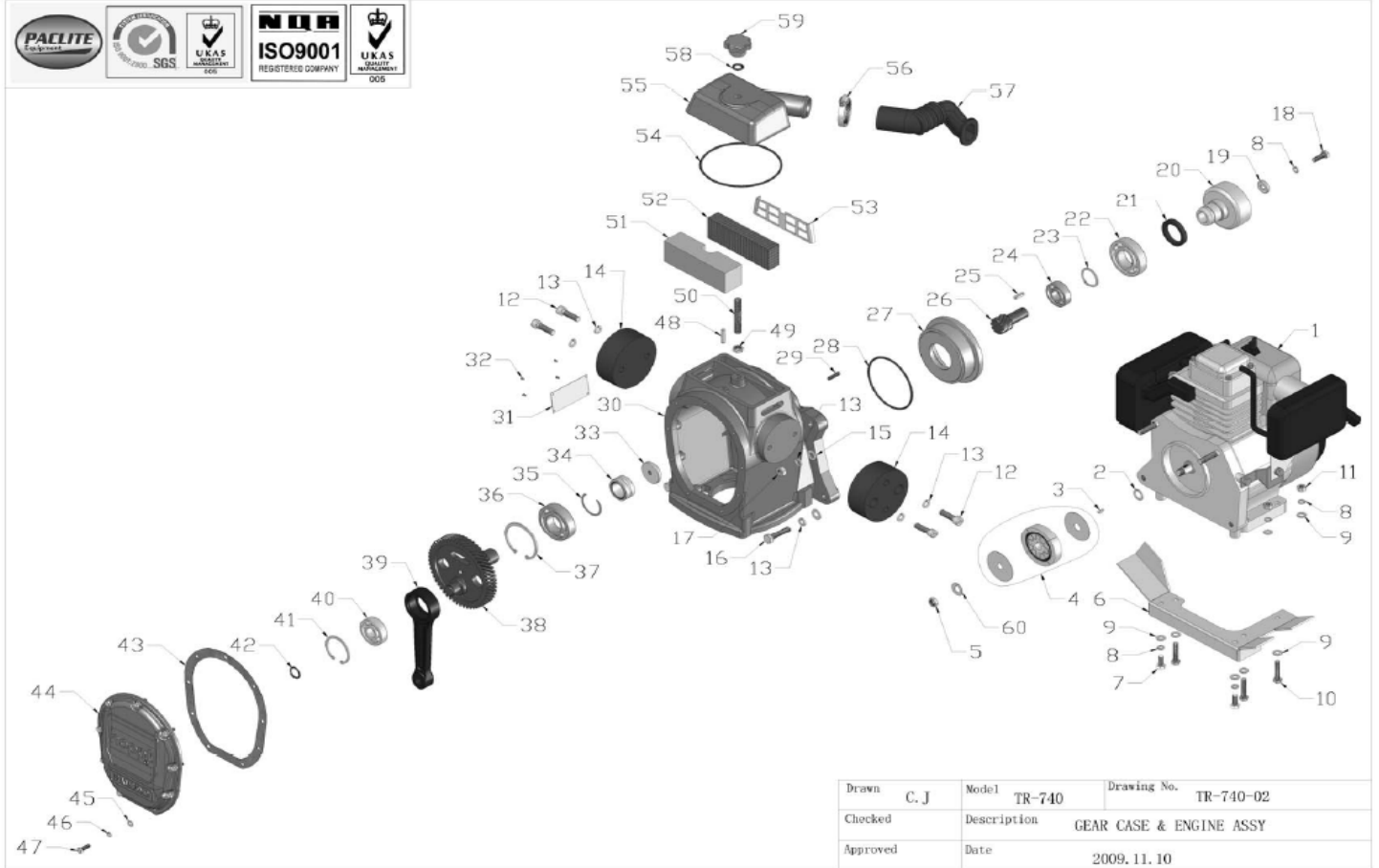


| | | | | | |
|----------|------|-------------|-------------------------|-------------|-----------|
| Drawn | C. J | Model | TR-740 | Drawing No. | TR-740-01 |
| Checked | | Description | FUEL TANK & HANDLE ASSY | | |
| Approved | | Date | 2009. 11. 10 | | |

TR-740-01 FUEL TANK & HANDLE ASSY

| NO. 序号 | PART NO. 图号 | PART DESCRIPTION 品名 | QTY 数量 | UNIT PRICE (EUR) |
|-----------|------------------------------|---|-----------|---------------------|
| 01-1 | TR-740-70B-010112P | FUEL TANK CAP (油箱盖) | 1 | |
| 01-2 | TR-740-70B-010113P | STRAP (连接带) | 1 | |
| 01-3 | TR-740-70B-010110 | STRAINER (滤网) | 1 | |
| 01-4 | TR-740-85d-010109 | FUEL TANK (油箱) | 1 | |
| 01-5 | TR-740-FN.B-M10x30-8.8-DIN-1 | BOLT (六角螺栓) | 2 | |
| 01-6 | TR-740-WOD.W10-GB-1 | WASHER (大垫圈) | 2 | |
| 01-7 | TR-740-70B-000020 | FUEL VALVE (燃油开关) | 1 | |
| 01-8 | TR-740-70B-000021 | HOSE BAND (油管卡簧) | 2 | |
| 01-9 | TR-740-70B-000022 | FUEL HOSE (进油管) | 1 | |
| 01-10 | TR-740-85d-010100P | OPERATION HANDLE (扶手) | 1 | |
| 01-11 | TR-740-FN.W10-DIN-1 | WASHER (平垫) | 2 | |
| 01-12 | TR-740-IN.N-M10-DIN-1 | LOCK NUT (防松螺母) | 2 | |
| 01-13 | TR-740-FN.B-M10x25-8.8-DIN-1 | BOLT (六角螺栓) | 4 | |
| 01-14 | TR-740-SPG.W10-DIN-1 | SPRING WASHER (弹垫) | 4 | |
| 01-15 | TR-740-FN.B-M6x20-8.8-DIN-2 | BOLT (六角螺栓) | 2 | |
| 01-16 | TR-740-SPG.W6-DIN-2 | SPRING WASHER (弹垫) | 2 | |
| 01-17 | TR-740-HC.N-M6-DIN-2 | CAP NUT (盖型螺母) | 2 | |
| 01-18 | TR-740-HC.N-M10-DIN-2 | CAP NUT (盖形螺母) | 1 | |
| 01-19 | TR-740-FNL.N-M10-DIN-2 | HEXAGON THIN NUT (六角薄螺母) | 1 | |
| 01-20 | TR-740-FN.W10-DIN-2 | WASHER (平垫) | 2 | |
| 01-21 | TR-740-70ND-060000 | THROTTLE LEVER (油门开关把手) | 1 | |
| 01-22 | TR-740-FHSS.S-M6x8-GB-3 | SOCKET SCREW WITH FLAT HEAD (内六角平端紧定螺钉) | 1 | |
| 01-23 | TR-740-HC.N-M8-DIN-2 | CAP NUT (盖型螺母) | 1 | |
| 01-24 | TR-740--FNL.N-M8-DIN-2 | HEXAGON THIN NUT (六角薄螺母) | 2 | |
| 01-25 | TR-740-FHSS.S-M8x20-GB-3 | SOCKET SCREW WITH FLAT HEAD (内六角平端紧定螺钉) | 1 | |
| 01-26 | TR-740-70ND-060001 | THROTTLE BODY (油门把手盖) | 1 | |
| 01-27 | TR-740-70ND-060003 | BOLT (油门螺栓) | 1 | |
| 01-28 | TR-740-70ND-060002 | THROTTLE GEAR (齿轮) | 1 | |
| 01-29 | TR-740-W04-45x3 | O-RING (O形圈) | 1 | |
| 01-30 | TR-740-70ND-060004 | SLIDER (齿条) | 1 | |
| 01-31 | TR-740-W06-S04-L650x850 | THROTTLE CABLE (油门线) | 1 | |
| 01-32 | TR-740-65ND-010100 | ROLLER (滚轮) | 4 | |
| 01-33 | TR-740-HF.B-M5x30-8.8-DIN-3 | HEXAGON FLANGE BOLT (六角法兰面螺栓) | 4 | |
| 01-34 | TR-740-HF.N-M5-DIN-3 | HEXAGON FLANGE NUT (六角法兰面螺母) | 4 | |
| 01-35 | TR-740-70ND-010114 | STRAINER (滤网) | 1 | |
| 01-36 | TR-740-70ND-010115 | PACKING (滤网垫) | 1 | |
| 01-37 | TR-740-85d-010113 | FUEL TANK CAP ,BOTTOM (油箱底盖) | 1 | |
| 01-38 | TR-740-70ND-000028 | HANDLE FOAM (海绵护套) | 1 | |
| 01-39 | TR-740-70ND-000029P | HANDLE FABRIC(扶手布) | 1 | |
| 01-40 | TR-740-70ND-010018 | THROTTLE LEVER ASSY (油门开关组件) | 1 | |

TR-740-02 GEAR CASE & ENGINE ASSY

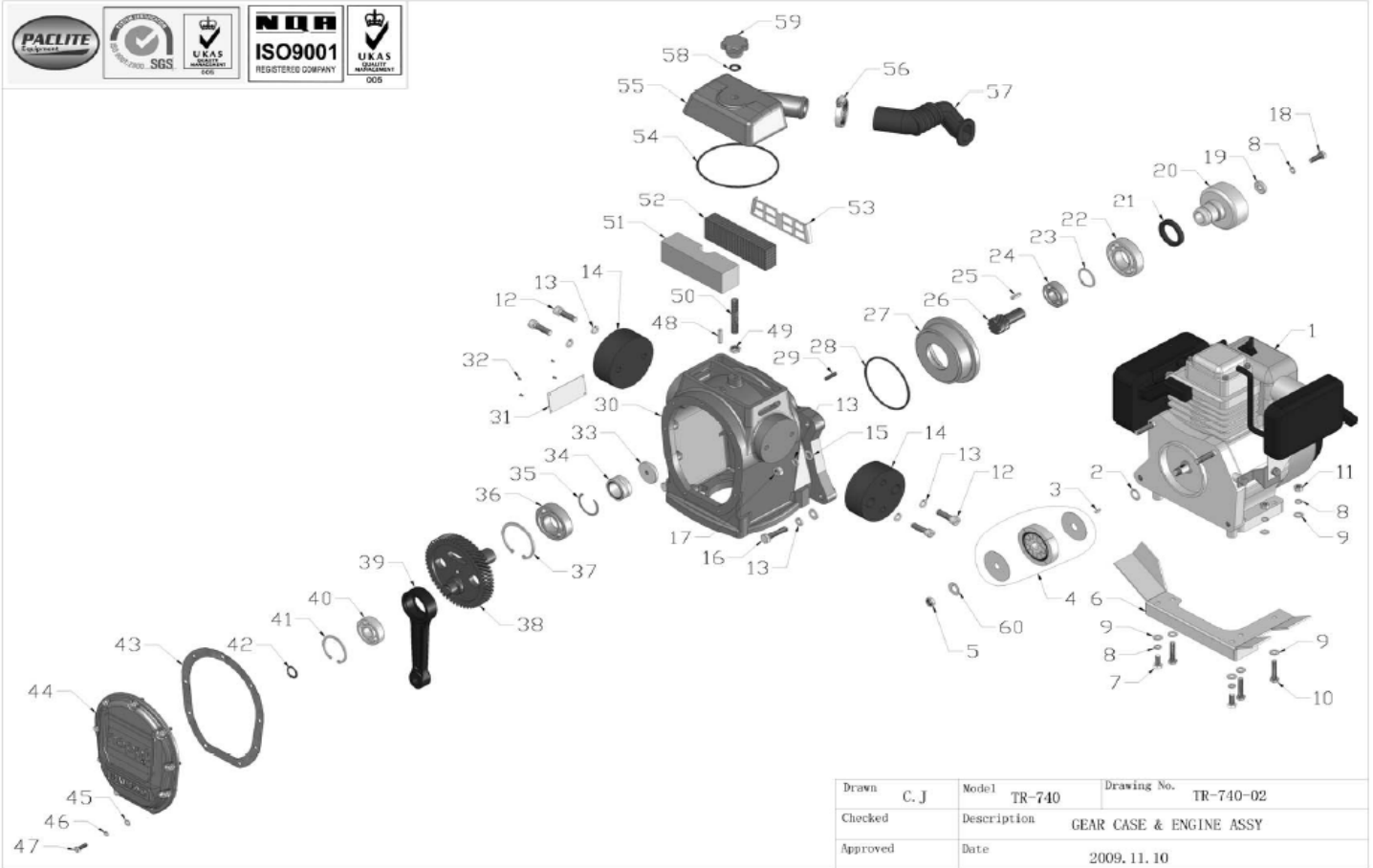


| | | | | | |
|----------|------|-------------|-------------------------|-------------|-----------|
| Drawn | C. J | Model | TR-740 | Drawing No. | TR-740-02 |
| Checked | | Description | GEAR CASE & ENGINE ASSY | | |
| Approved | | Date | 2009. 11. 10 | | |

TR-740-02 GEAR CASE & ENGINE ASSY

| NO. 序号 | PART NO. 图号 | PART DESCRIPTION 品名 | QTY 数量 | UNIT PRICE (EUR) |
|-----------|--|-------------------------------|-----------|---------------------|
| 02-1 | TR-740-W05-EH12-2D | ENGINE (引擎) | 1 | |
| 02-2 | TR-740-80-0997 | WASHER (垫圈) | 1 | |
| 02-3 | TR-740-WKey-4x5x13 | WOODRUFF KEY (半圆键) | 1 | |
| 02-4 | TR-740-W18-C812A | CENTRIFUGAL CLUTCH ASSY (离合器) | 1 | |
| 02-5 | TR-740-FNL.N-M12x1.25-DIN-2 | THIN NUT (细牙薄螺母) | 1 | |
| 02-6 | TR-740-70ND-070001 | SUPPORT BASE, ENGINE (引擎托架) | 1 | |
| 02-7 | TR-740-FN.B-M8x20-8.8-DIN-1 | BOLT (六角螺栓) | 2 | |
| 02-8 | TR-740-SPG.W8-DIN-1 | SPRING WASHER (弹垫) | 6 | |
| 02-9 | TR-740-FN.W8-DIN-1 | WASHER (平垫) | 8 | |
| 02-10 | TR-740-FN.B-M8x40-8.8-DIN-1 | BOLT (六角螺栓) | 3 | |
| 02-11 | TR-740-FN.N-M8-DIN-1 | NUT (螺母) | 3 | |
| 02-12 | TR-740-HS.B-M10x35-8.8-GB-1 | SCREW (内六角螺钉) | 4 | |
| 02-13 | TR-740-SPG.W10-DIN-1 | SPRING WASHER (弹垫) | 8 | |
| 02-14 | TR-740-70B-020125 | SHOCK ABSORBER (缓冲橡胶) | 2 | |
| 02-15 | TR-740-FN.W10-DIN-1 | WASHER (平垫) | 4 | |
| 02-16 | TR-740-FN.B-M10x45-8.8-DIN-1 | BOLT (六角螺栓) | 2 | |
| 02-17 | TR-740-FN.N-M10-DIN-1 | NUT (螺母) | 2 | |
| 02-18 | TR-740-FN.B-M8x25-8.8-DIN-1 | BOLT (六角螺栓) | 1 | |
| 02-19 | TR-740-70B-020129 | LOCK WASHER (小齿轮固定垫圈) | 1 | |
| 02-20 | TR-740-70B-020119 | CLUTCH HOUSING (离合器盖) | 1 | |
| 02-21 | TR-740-W03-52x40x8 | OIL SEAL (油封) | 1 | |
| 02-22 | TR-740-W01-6207Z-J | BEARING (轴承) | 1 | |
| 02-23 | TR-740-CS.RG35 | EXTERNAL CIRCLIP (轴用挡圈) | 2 | |
| 02-24 | TR-740-W01-6204-J | BEARING (轴承) | 1 | |
| 02-25 | TR-740-Key.A-5x5x22 | KEY (平键) | 1 | |
| 02-26 | TR-740-85ND-020124 | PINION (小齿轮) | 1 | |
| 02-27 | TR-740-70ND-020112 | SPACER (衬套) | 1 | |
| 02-28 | TR-740-W04-99.6x3.5 | O RING (O型圈) | 1 | |
| 02-29 | TR-740-SC.PIN-6x25 | SPRING PIN (弹性圆柱销) | 1 | |
| 02-30 | TR-740-70ND-010000 | GEAR CASE (齿轮箱) | 1 | |
| 02-31 | TR-740-80-0409 | NAMEPLATE (铭牌) | 1 | |
| 02-32 | TR-740-K.RVT-2.5x5 | RIVET (铆钉) | 4 | |
| 02-33 | TR-740-70B-020101 | WASHER (起轴承片) | 1 | |
| 02-34 | TR-740-W01-TAF324220 TR-740-W01-LRT283220 | BEARING (轴承) | 1 SET | |
| 02-35 | TR-740-70B-020112 | INTERNAL CIRCLIP (孔用挡圈) | 1 | |
| 02-36 | TR-740-W01-6207-J | BEARING (轴承) | 1 | |
| 02-37 | TR-740-CH.RG72 | INTERNAL CIRCLIP (孔用挡圈) | 1 | |
| 02-38 | TR-740-85ND-020115 | CRANK GEAR (大齿轮) | 1 | |
| 02-39 | TR-740-70ND-020102 | CONNECTING ROD (连杆) | 1 | |
| 02-40 | TR-740-W01-6304-J | BEARING (轴承) | 1 | |
| 02-41 | TR-740-CH.RG52 | INTERNAL CIRCLIP (孔用挡圈) | 1 | |
| 02-42 | TR-740-CS.RG20 | EXTERNAL CIRCLIP (轴用挡圈) | 1 | |
| 02-43 | TR-740-70ND-020114 | PACKING,FRONT COVER (纸垫片) | 1 | |
| 02-44 | TR-740-70ND-020103P | FRONT COVER (前盖) | 1 | |

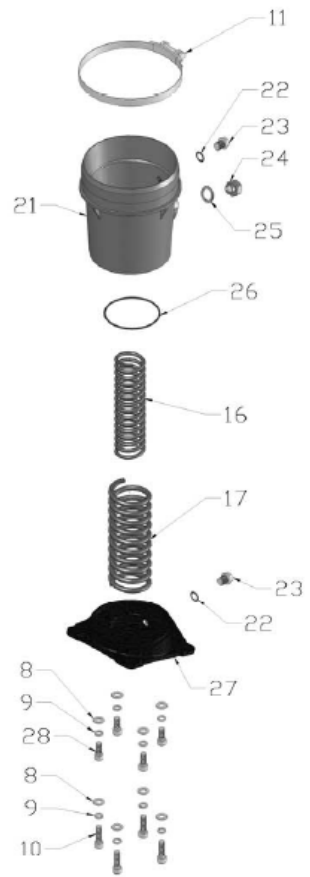
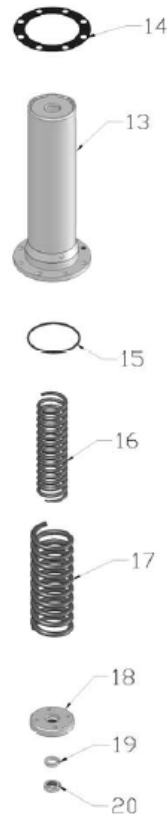
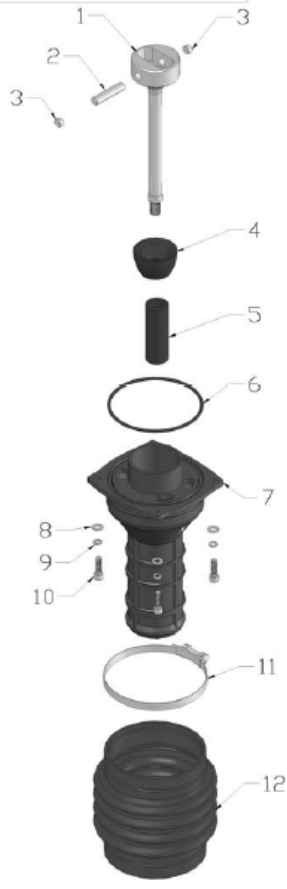
TR-740-02 GEAR CASE & ENGINE ASSY



| | | | | | |
|----------|------|-------------|-------------------------|-------------|-----------|
| Drawn | C. J | Model | TR-740 | Drawing No. | TR-740-02 |
| Checked | | Description | GEAR CASE & ENGINE ASSY | | |
| Approved | | Date | 2009.11.10 | | |

| NO. 序号 | PART NO. 图号 | PART DESCRIPTION 品名 | QTY 数量 | UNIT PRICE (EUR) |
|-----------|-----------------------------|----------------------------|-----------|---------------------|
| 02-45 | TR-740-FN.W6-DIN-1 | WASHER (平垫) | 9 | |
| 02-46 | TR-740-SPG.W6-DIN-1 | SPRING WASHER (弹垫) | 9 | |
| 02-47 | TR-740-FN.B-M6x20-8.8-DIN-1 | BOLT (六角螺栓) | 9 | |
| 02-48 | TR-740-ST.PIN-6x30 | PIN (圆柱销) | 1 | |
| 02-49 | TR-740-FNL.N-M12-DIN-1 | HEXAGON THIN NUT (六角薄螺母) | 1 | |
| 02-50 | TR-740-70ND-020146 | STUD (螺杆) | 1 | |
| 02-51 | TR-740-70ND-020035 | FIRST AIR CLEANER (第一级空滤) | 1 | |
| 02-52 | TR-740-70ND-020034 | SECOND AIR CLEANER (第二级空滤) | 1 | |
| 02-53 | TR-740-70ND-020149 | DIVIDER PLATE (空滤隔板) | 1 | |
| 02-54 | TR-740-W04-139.6x3.5 | O-RING (O形圈) | 1 | |
| 02-55 | TR-740-70ND-020145 | COVER, AIR CLEANER (空滤器盖) | 1 | |
| 02-56 | TR-740-70ND-020147 | HOOP (喉箍) | 1 | |
| 02-57 | TR-740-70ND-020148 | INTAKE PIPE (通气管) | 1 | |
| 02-58 | TR-740-NL-12 | SERRATED WASHER (止锁垫圈) | 2 | |
| 02-59 | TR-740-StarH-M12 | KNOB, AIR CLEANER (五角星形把手) | 1 | |
| 02-60 | TR-740-80-0998 | LOCK WASHER (锁紧垫圈) | 1 | |

TR-740-03 GUIDE CYLINDER & SPRING ASSY

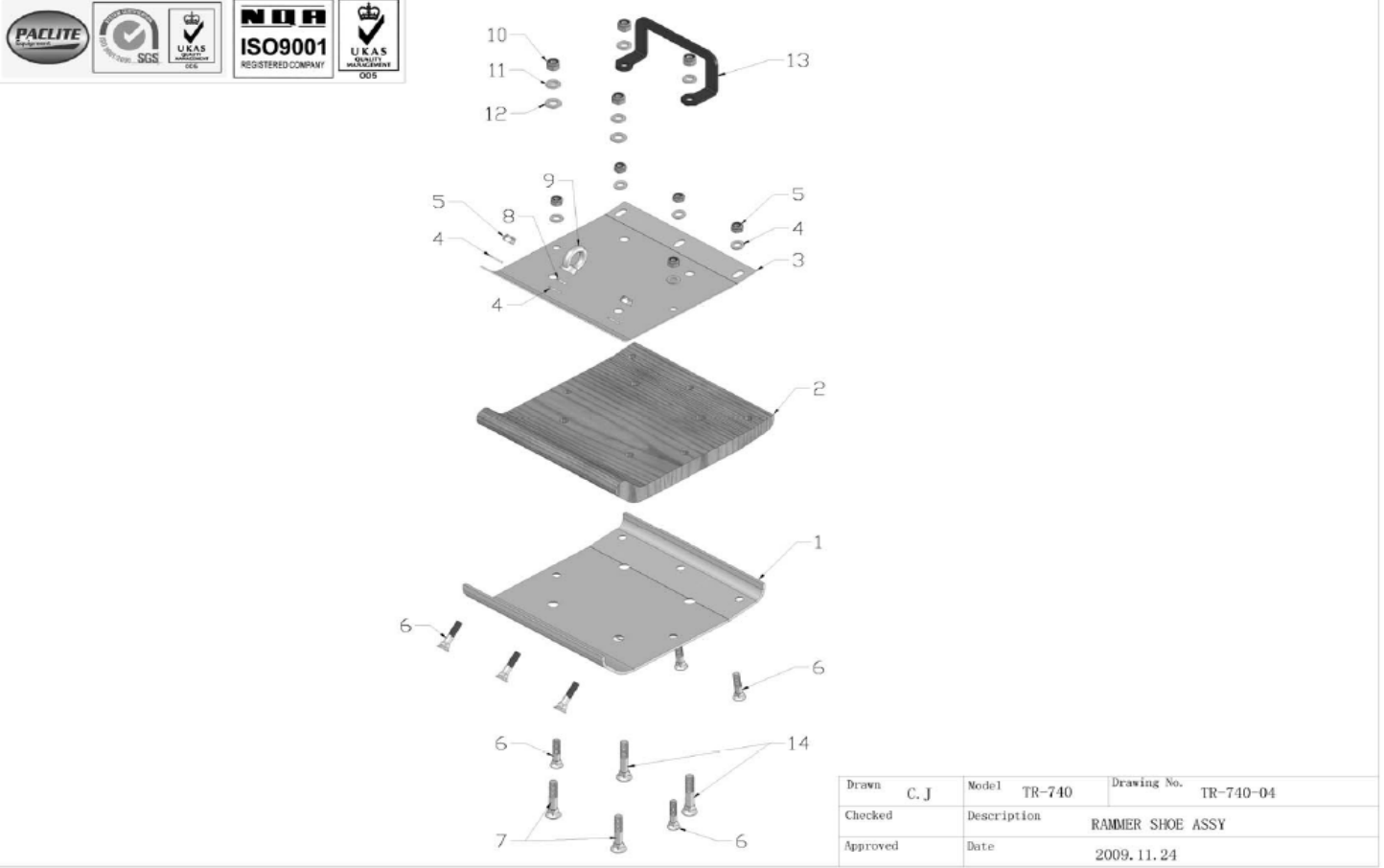


| | | | | | |
|----------|------|-------------|------------------------------|-------------|-----------|
| Drawn | C. J | Model | TR-740 | Drawing No. | TR-740-03 |
| Checked | | Description | GUIDE CYLINDER & SPRING ASSY | | |
| Approved | | Date | 2009. 11. 10 | | |

TR-740-03 GUIDE CYLINDER & SPRING ASSY

| NO. 序号 | PART NO. 图号 | PART DESCRIPTION 品名 | QTY 数量 | UNIT PRICE (EUR) |
|-----------|------------------------------|--------------------------|-----------|---------------------|
| 03-1 | TR-740-70ND-020001 | PISTON ROD (活塞杆) | 1 | |
| 03-2 | TR-740-70ND-020215 | PISTON PIN (连接销) | 1 | |
| 03-3 | TR-740-70ND-020211 | NYLON STOPPLE (尼龙挡块) | 2 | |
| 03-4 | TR-740-70ND-020221 | STOPPER (缓冲垫) | 1 | |
| 03-5 | TR-740-70ND-020219 | SPRING GUIDE (橡胶轴套) | 1 | |
| 03-6 | TR-740-W04-159.3x5.7 | O RING (O型圈) | 1 | |
| 03-7 | TR-740-70ND-020206 | GUIDE CYLINDER (上筒) | 1 | |
| 03-8 | TR-740-FN.W10-DIN-1 | WASHER (平垫) | 12 | |
| 03-9 | TR-740-SPG.W10-DIN-1 | SPRING WASHER (弹垫) | 12 | |
| 03-10 | TR-740-HS.B-M10x35-GB-1 | SCREW (内六角螺钉) | 8 | |
| 03-11 | TR-740-70B-021000 | BELLOW HOOP (抱箍) | 2 | |
| 03-12 | TR-740-70B-020216 | BELLOW (皮老虎) | 1 | |
| 03-13 | TR-740-70ND-020220 | SPRING CYLINDER (内筒) | 1 | |
| 03-14 | TR-740-70ND-020218 | PACKING (纸垫片) | 1 | |
| 03-15 | TR-740-W04-88x3.5 | O RING (O型圈) | 1 | |
| 03-16 | TR-740-70ND-020201 | INNER SPRING (小弹簧) | 2 | |
| 03-17 | TR-740-70ND-020202 | OUTER SPRING (大弹簧) | 2 | |
| 03-18 | TR-740-70ND-020210 | PISTON (活塞) | 1 | |
| 03-19 | TR-740-SPG.W18-DIN-3 | SPRING WASHER (弹垫) | 1 | |
| 03-20 | TR-740-FNL.N-M18x1.5-DIN-1 | THIN NUT (细牙薄螺母) | 1 | |
| 03-21 | TR-740-70ND-020222 | PROTECTION SLEEVE (下筒) | 1 | |
| 03-22 | TR-740-GB97.1-M14 | CUPRUM WASHER (铜垫圈) | 2 | |
| 03-23 | TR-740-HHOS.B-M14x1.5 | HEXAGON HEAD PLUG (六角螺塞) | 2 | |
| 03-24 | TR-740-100GB-041000 | OIL GAUGE (油标) | 1 | |
| 03-25 | TR-740-GB97.1-M20 | CUPRUM WASHER (铜垫圈) | 1 | |
| 03-26 | TR-740-W04-94.4x3.1 | O RING (O型圈) | 1 | |
| 03-27 | TR-740-85ND-030200 | FOOT PLATE (底座) | 1 | |
| 03-28 | TR-740-HS.B-M10x25-8.8-DIN-1 | SCREW (内六角螺钉) | 4 | |

TR-740-04 RAMMER SHOE ASSY



| NO. 序号 | PART NO. 图号 | PART DESCRIPTION 品名 | QTY 数量 | UNIT PRICE (EUR) |
|-----------|-----------------------|--------------------------------|-----------|---------------------|
| 04-1 | TR-740-70ND-030106 | RAMMER SHOE STEEL PLATE (铁底板) | 1 | |
| 04-2 | TR-740-70ND-030104 | RAMMER SHOE WOODEN PLATE (木底板) | 1 | |
| 04-3 | TR-740-70ND-030105 | RAMMER SHOE CLAMP PLATE (压板) | 1 | |
| 04-4 | TR-740-FN.W10-DIN-1 | WASHER (平垫) | 8 | |
| 04-5 | TR-740-IN.N-M10-DIN-1 | LOCK NUT (防松螺母) | 7 | |
| 04-6 | TR-740-FSN.B-M10x50 | SUNK HEAD BOLT (沉头方颈螺钉) | 8 | |
| 04-7 | TR-740-FSN.B-M12x65 | SUNK HEAD BOLT (沉头方颈螺钉) | 4 | |
| 04-8 | TR-740-SPG.W10-DIN-1 | SPRING WASHER (弹垫) | 1 | |
| 04-9 | TR-740-EYE.N-M10 | LIFTING EYE NUT (吊环螺母) | 1 | |
| 04-10 | TR-740-IN.N-M12-DIN-1 | LOCK NUT (防松螺母) | 4 | |
| 04-11 | TR-740-SPG.W12-DIN-1 | SPRING WASHER (弹垫) | 4 | |
| 04-12 | TR-740-FN.W12-DIN-1 | WASHER (平垫) | 2 | |
| 04-13 | TR-740-70ND-030100 | HANDLE (把手) | 1 | |
| 04-14 | TR-740H-FSN.B-M12x70 | SUNK HEAD BOLT (沉头方颈螺钉) | 2 | |