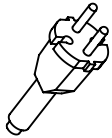


MULTIVIB SERVICE PARTS

- PACLI10.273 - CE 230V/50Hz - SCHUKO PLUG 2PIN
- PACLI10.281 - CE 230V/50Hz - PLUG CETAC BLUE
- PACLI10.272 - 115V/60Hz - PLUG CETAC YELLOW
- PACLI10.274 - 115V/60Hz - PLUG UL

17 SUPPLY CORD CONNECTION SETTINGS

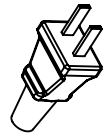
SCHUKO PLUG
CE 2 PIN (230V)



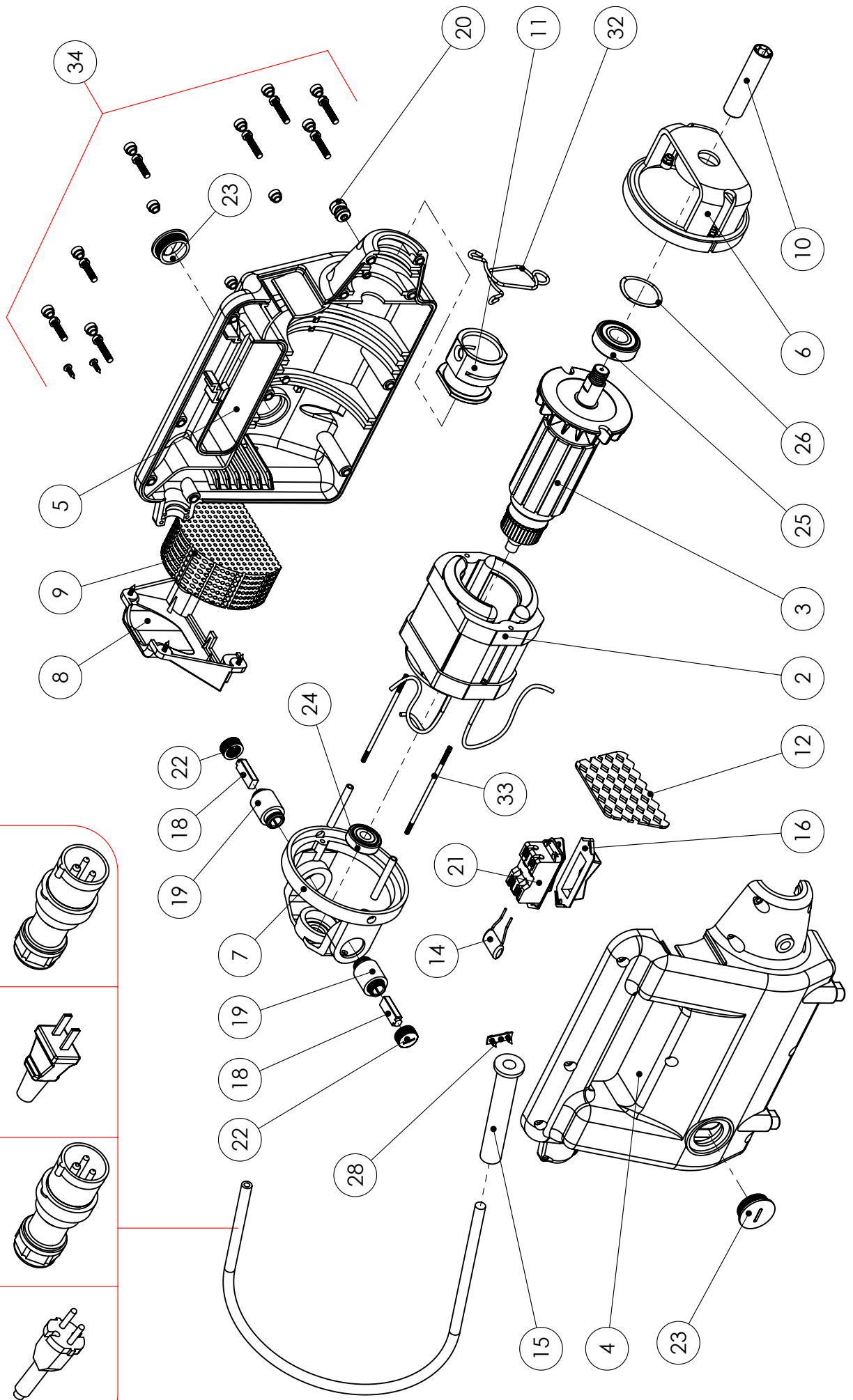
CETAC PLUG
BLUE CE 230V



UL PLUG
115V



CETAC PLUG
YELLOW 115V



PACLITE		Rev. n° 0	
SPARE LIST		Date: 07/05/2009	
UNIVERSAL MOTOR MULTIVIB - B (YELLOW COLOUR)			
(CE 230V 50Hz) EUROPEAN COMMUNITY (CE) (PLUG 2 PIN)			PACLI 10.273
(CE 230V 50Hz) EUROPEAN COMMUNITY (CE) (PLUG CETAC BLUE)			PACLI 10.281
QTY.	DENOMINATION	DRAW N°	CODE
1	UNIVERSAL MOTOR ENSEMBLE (230V 50Hz)	1	PACLI 22.069
1	STATOR COMPLETE (230V 50Hz)	2	PACLI 24.083
1	ROTOR COMPLETE (230V 50Hz)	3	PACLI 26.061
1	YELLOW RIGHT HALF HOUSING	4	PACLI 30.186.1
1	YELLOW LEFT HALF HOUSING	5	PACLI 30.187.1
1	FRONT BRIDGE	6	PACLI 30.188
1	REAR BRIDGE	7	PACLI 30.189
1	FILTER COVER	8	PACLI 30.190
1	VENTILATION FILTER	9	PACLI 33.008
1	HEXAGON FEMALE	10	PACLI 38.135
1	HOSE FIXATION SPINDLE	11	PACLI 38.320
1	VENTILATION GRILLE	12	PACLI 46.060
1	POLYESTER CONDENSER 470NF/275V 10% R=22,5x2	14	PACLI 68.004
1	SMUGGLER CABLE Ø 11	15	PACLI 56.013
1	SILICONE SWITCH JOINT	16	PACLI 56.067
1	CONNECTION WIRE WITH PLUG 2Ph+T x 1.5 (2 PIN) (1 MTR.LONG)	17	PACLI 60.065.1
1	CONNECTION WIRE WITH PLUG 2Ph+T x 1.5 (CETAC BLUE) (1 MTR.LONG)	17	PACLI 60.122.1
2	BRUSHES	18	PACLI 63.021
2	BRUSH HOLDER	19	PACLI 64.003
1	BLIND PLUG LEFT COVER	20	PACLI 72.079
1	SWITCH	21	PACLI 66.018
2	BRUSH HOLDER PLUG	22	PACLI 72.033
2	PLUG COVER BRUSH	23	PACLI 72.037
1	BEARING 6200-ZZ 10.30.9	24	PACLI 75.025
1	BEARING 6203-ZZ 17.40.12	25	PACLI 75.026
1	COMPENSATION WAVY WASHER Ø 40X33	26	PACLI 78.037
1	CABLE FIXATION BRIDLE	28	PACLI 46.061
1	KIT FIXATION HOSE SPRING - MOTOR	32	PACLI 44.012
2	SPECIAL LONG SCREW WITHOUT HEAD M4X100mm	33	PACLI 84.147
1	SCREW KIT	34	PACLI 84.175

PACLITE		Rev. n° 0	
SPARE LIST		Date: 07/05/2009	
UNIVERSAL MOTOR MULTIVIB - B + (YELLOW COLOUR)			
(115V 60Hz PLUG CETAC YELLOW)			PACLI 10.272
(115V 60Hz PLUG UL) UL			PACLI 10.274
QTY.	DENOMINATION	DRAW N°	CODE
1	UNIVERSAL MOTOR ENSEMBLE (115V 60Hz)	1	PACLI 22.167
1	STATOR COMPLETE (115V 60Hz)	2	PACLI 24.116
1	ROTOR COMPLETE (115V 60Hz)	3	PACLI 26.091
1	YELLOW RIGHT HALF HOUSING	4	PACLI 30.186.1
1	YELLOW LEFT HALF HOUSING	5	PACLI 30.187.1
1	FRONT BRIDGE	6	PACLI 30.188
1	REAR BRIDGE	7	PACLI 30.189
1	FILTER COVER	8	PACLI 30.190
1	VENTILATION FILTER	9	PACLI 33.008
1	HEXAGON FEMALE	10	PACLI 38.135
1	HOSE FIXATION SPINDLE	11	PACLI 38.320
1	VENTILATION GRILLE	12	PACLI 46.060
1	POLYESTER CONDENSER 470NF/275V 10% R=22,5x2	14	PACLI 68.004
1	SMUGGLER CABLE Ø 11	15	PACLI 56.013
1	SILICONE SWITCH JOINT	16	PACLI 56.067
1	CONNECTION WIRE WITH PLUG 2Ph+T x 1.5 (CETAC YELLOW) (1 MTR.LONG)	17	PACLI 60.123.1
1	CONNECTION WIRE WITH PLUG 2Ph+T x 1.5 (UL) (1 MTR.LONG)	17	PACLI 60.114
2	BRUSHES	18	PACLI 63.021
2	BRUSH HOLDER	19	PACLI 64.003
1	BLIND PLUG LEFT COVER	20	PACLI 72.079
1	SWITCH	21	PACLI 66.018
2	BRUSH HOLDER PLUG	22	PACLI 72.033
2	PLUG COVER BRUSH	23	PACLI 72.037
1	BEARING 6200-ZZ 10.30.9	24	PACLI 75.025
1	BEARING 6203-ZZ 17.40.12	25	PACLI 75.026
1	COMPENSATION WAVY WASHER Ø 40X33	26	PACLI 78.037
1	CABLE FIXATION BRIDLE	28	PACLI 46.061
1	KIT FIXATION HOSE SPRING - MOTOR	32	PACLI 44.012
2	SPECIAL LONG SCREW WITHOUT HEAD M4X100mm	33	PACLI 84.147
1	SCREW KIT	34	PACLI 84.175