

17 SUPPLY CORD CONNECTION SETTINGS



SCHUKO PLUG  
CE 2 PIN (230V)



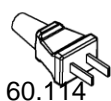
60.063.1

CETAC PLUG  
BLUE CE 230V



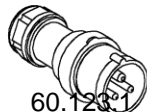
60.122.1  
84.175

UL PLUG  
115V

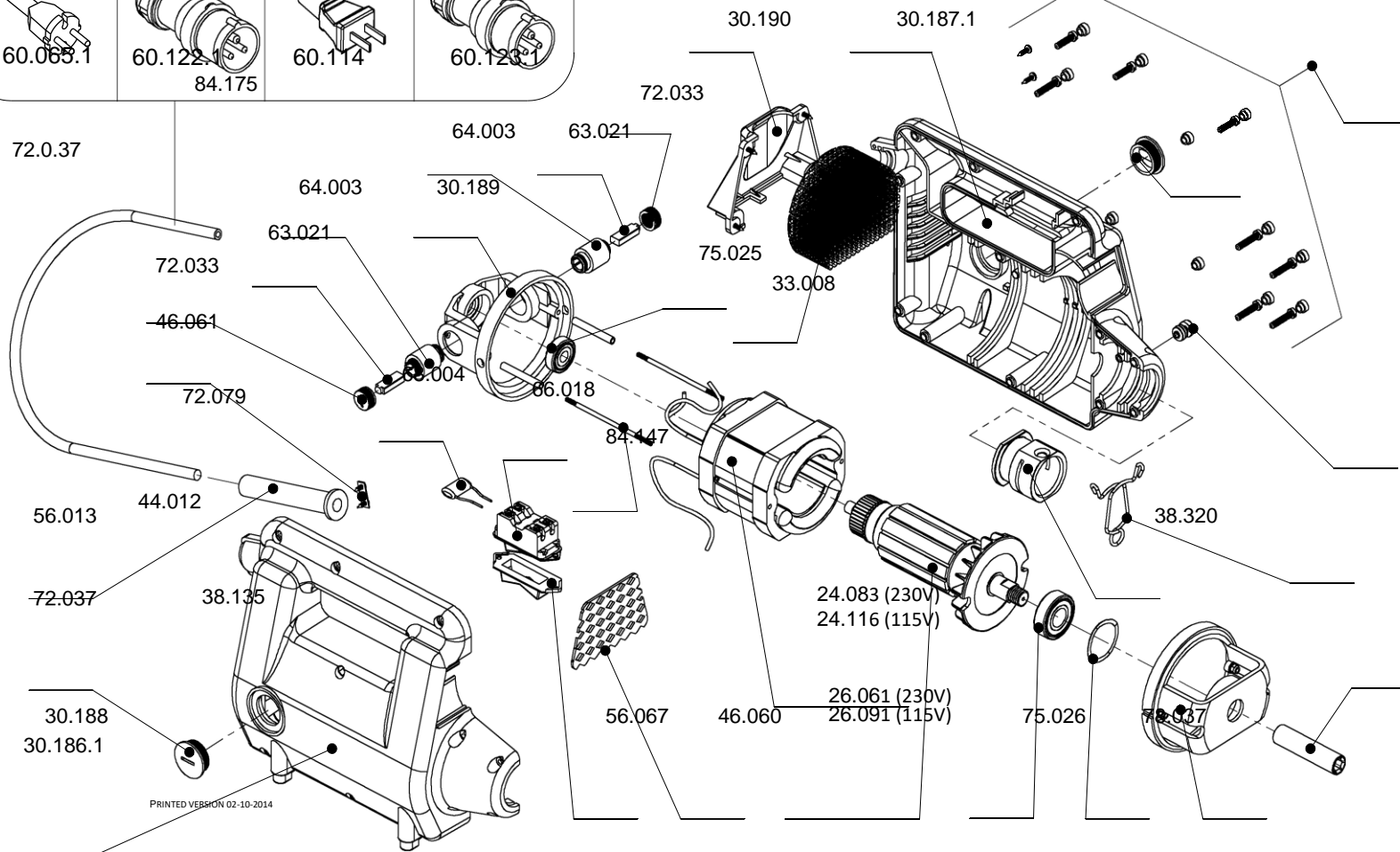


60.114

CETAC PLUG  
YELLOW 115V



60.123.1



PRINTED VERSION 02-10-2014

PACLI10.273 - CE 230V/50Hz - SCHUKO PLUG 2PIN PACLI10.281 - CE 230V/50Hz - PLUG CETAC BLUE PACLI10.272 - 115V/60Hz - PLUG CETAC YELLOW PACLI10.274 - 115V/60Hz - PLUG UL

PART CODE	EURO 2018
60.065.1	30,50 €
60.122.1	37,30 €
60.114	30,50 €
60.123.1	37,30 €
30.190	9,85 €
30.187	43,65 €
84.175	12,55 €
64.003	23,30 €
63.021	9,45 €
72.033	3,60 €
64.003	23,30 €
30.189	52,12 €
63.021	9,45 €
72.033	3,60 €
46.061	3,00 €
68.004	6,85 €
66.018	39,75 €
75.025	15,85 €
33.008	9,60 €
72.079	0,20 €
84.147	3,00 €
44.012	21,35 €
56.013	4,75 €
72.037	1,80 €
30.186.1	43,65 €
56.067	7,35 €
46.060	5,70 €
24.083 (230v)	146,15 €
24.116 (115v)	146,15 €
26.061 (230v)	245,65 €
26.091 (115)	245,65 €
75.026	19,70 €
78.037	0,45 €
30.188	52,12 €
38.135	27,50 €
38.320	14,60 €