

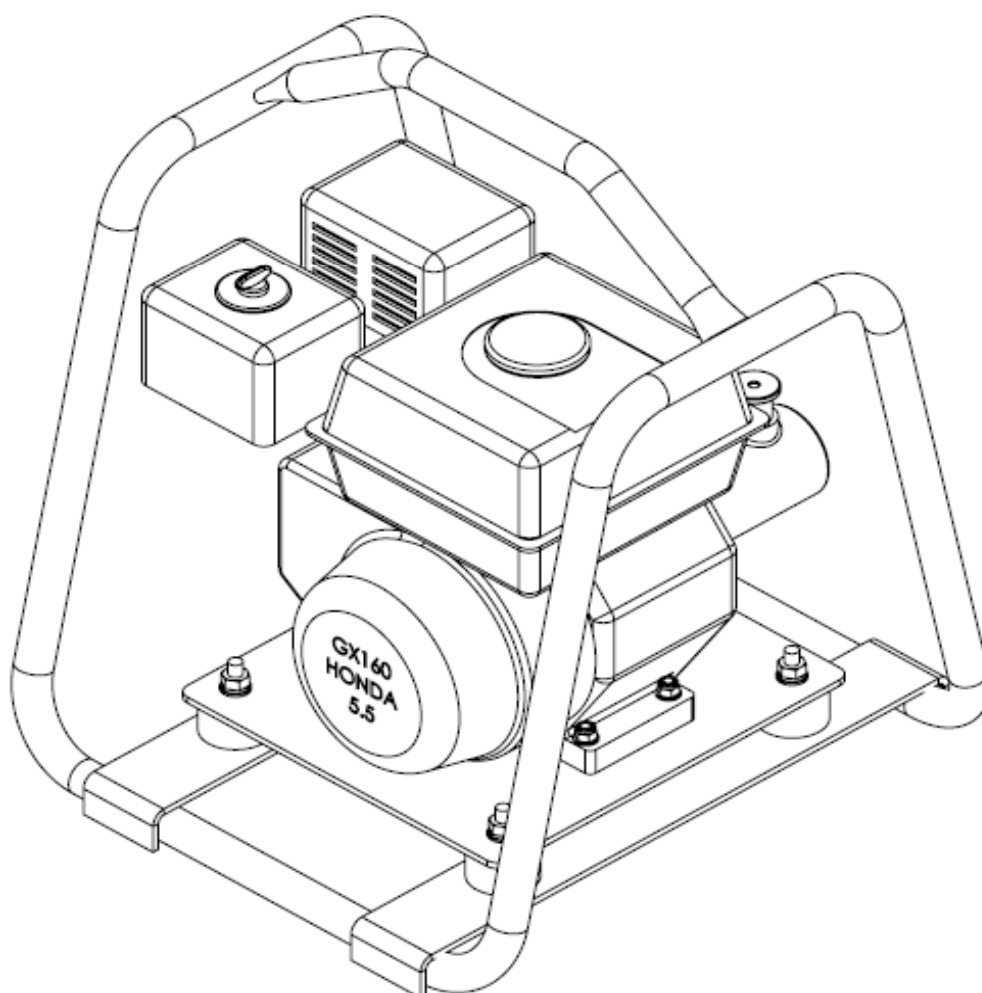
# 2D GX 160 CE



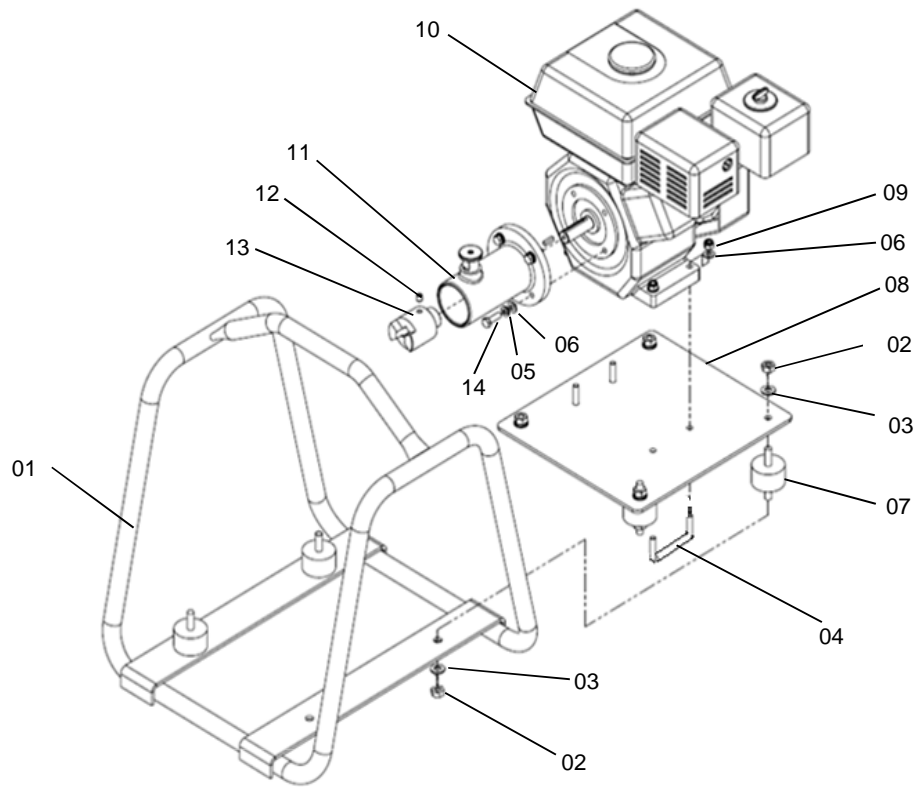
**DRIVE UNIT**

## Part List Catalogue

*Pièces détachées*



(ENGLISH VERSION)



## Drive Unit 2-Dog type c/w Honda GX 160 CE Assembly (105.16.10001)

ITEM NUMBER	PART NUMBER	DESCRIPTION	QUANTITY
1	105.16.11100	Engine Frame WA	1
2		Nyloc M10	8
3		Flat Washer M10	8
4		U-Bolt M8	2
5		Spring Washer M8	4
6		Flat Washer M8	12
7	201.65.00008	Anti Vibration Mount	4
8	105.16.10001	Engine Plate	1
9		Nyloc Nut M8	4
10	201.75.00010	Engine (HONDA GX160 - QX4 CE)	1
11	105.16.12000	PPU kit	1
12		Hex Socket Set Screw M8 x 10	1
13	105.16.12002	Shaft Coupling (2 Dog)	1
14		Hex Bolt 5/16"-24 UNF x 25	4

## **Paclite Equipment a brand within Uni-Corp**

---

UNI-Corp Europe



+33 (0) | 49 81 69 55

Paclite Equipment



+33 (0) | 48 98 40 88

33, avenue Pierre Brossolette

94085 Créteil -FRANCE

[www.paclite-equip.com](http://www.paclite-equip.com)