



CUTS 400X

Spare parts

Pièces de rechange

Reservdelar

Spare part's Manual



Manufacturer

Uni-corp Europe S.A.R.L. Paclite Equipment

33 Avenue Pierre Brossolette,
94048 Créteil Cedex,
FRANCE



+33 (0) 1 49 81 69 55



+33 (0) 1 48 98 40 88



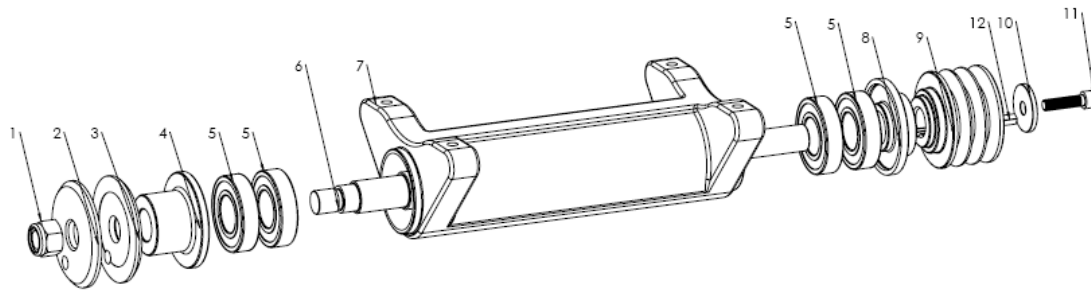
sales@paclite-equip.com



paclite-equip.com

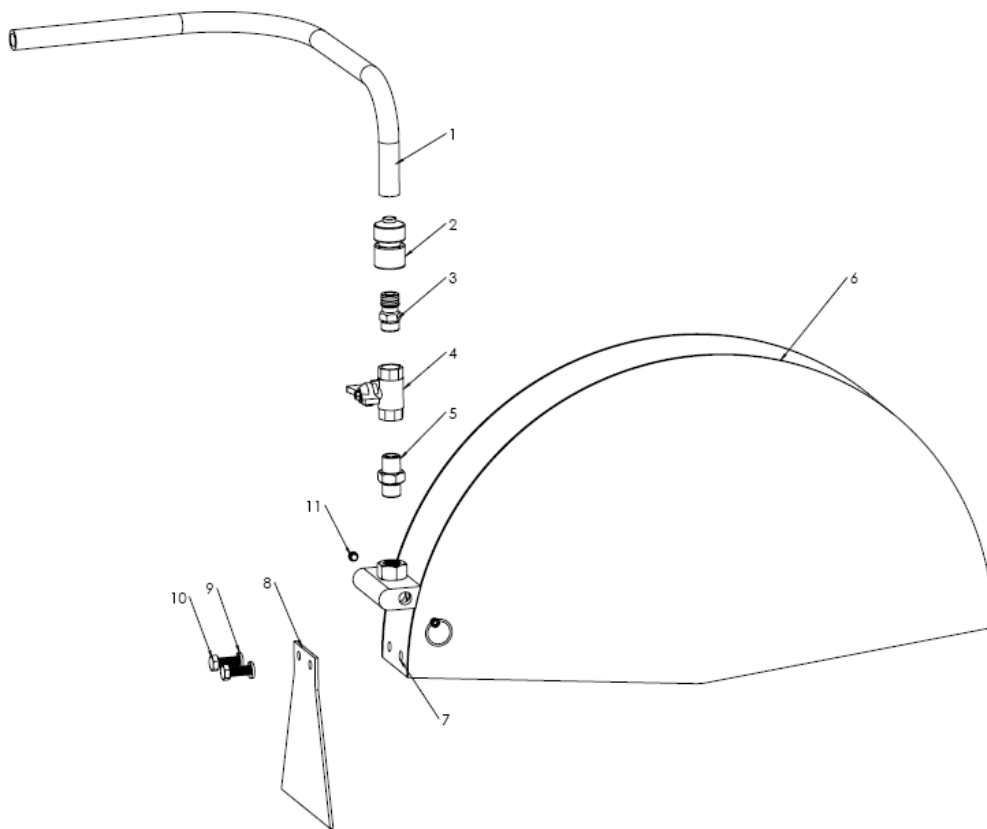


SPINDLE HOUSING ASSEMBLY



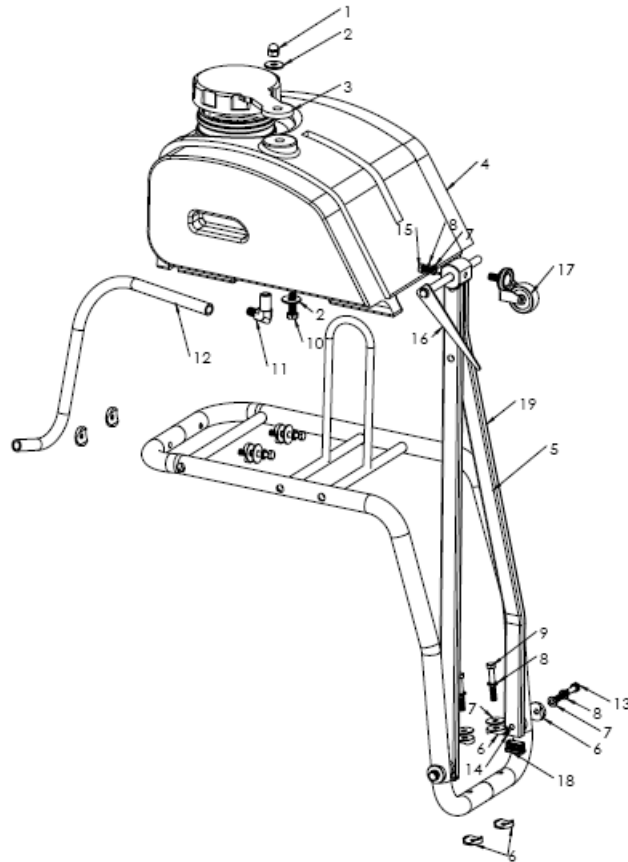
| NO. | PART NO. | PART NAME | QTY |
|-------|-----------------------------|-----------------------|-----|
| 01-1 | HCC16-050400 | Lock Nut | 1 |
| 01-2 | HCC16-050500AL | Arbor Left | 1 |
| 01-3 | HCC16-050500AR | Arbor Right | 1 |
| 01-4 | HCC16A-49-B | Bearing Cover L | 1 |
| 01-5 | HCC16A-48-A | Ball Bearing | 4 |
| 01-6 | HCC16A-53-A | Shaft | 1 |
| 01-7 | HCC16A-26-C | Spindle mount M | 1 |
| 01-8 | HCC16A-50-A | Bearing Cover R | 1 |
| 01-9 | HCC16A-52-A | Spindle Pulley | 1 |
| 01-10 | HCC16A-55-A | Spindle Pulley washer | 1 |
| 01-11 | HCC16A-HS.B-M10x40-8.8-GB-1 | Bolt | 1 |
| 01-12 | HCC16A-Key.C-7x7x50 | Spindle key | 1 |

BLADE GUARD ASSEMBLY



| NO. | PART NO. | PART NAME | QTY |
|-------|-----------------------------|-----------------------|-----|
| 02-1 | HCC20A-030416 | Hose | 1 |
| 02-2 | HCC20A-030412 | Water Splitter | 1 |
| 02-3 | KSJT-G3 / 8-16 | Left Water Connector | 1 |
| 02-4 | ROL6.5-070001 | Control valve | 1 |
| 02-5 | ROL650-070400 | Right water Connector | 1 |
| 02-6 | HCC16A-57-E | Blade Cover weldment | 1 |
| 02-7 | HCC16A-IN.N-M8-DIN-1 | Nut | 2 |
| 02-8 | HCC16-000005 | Dust Cover | 1 |
| 02-9 | HCC16A-HSPG.W8-DIN-1 | Washer | 2 |
| 02-10 | HCC16A-FN.B-M8x20-8.8-DIN-1 | Bolt | 2 |
| 02-11 | HCC16A-FHSS.S-M12x10-GB-3 | Grub Screw | 1 |

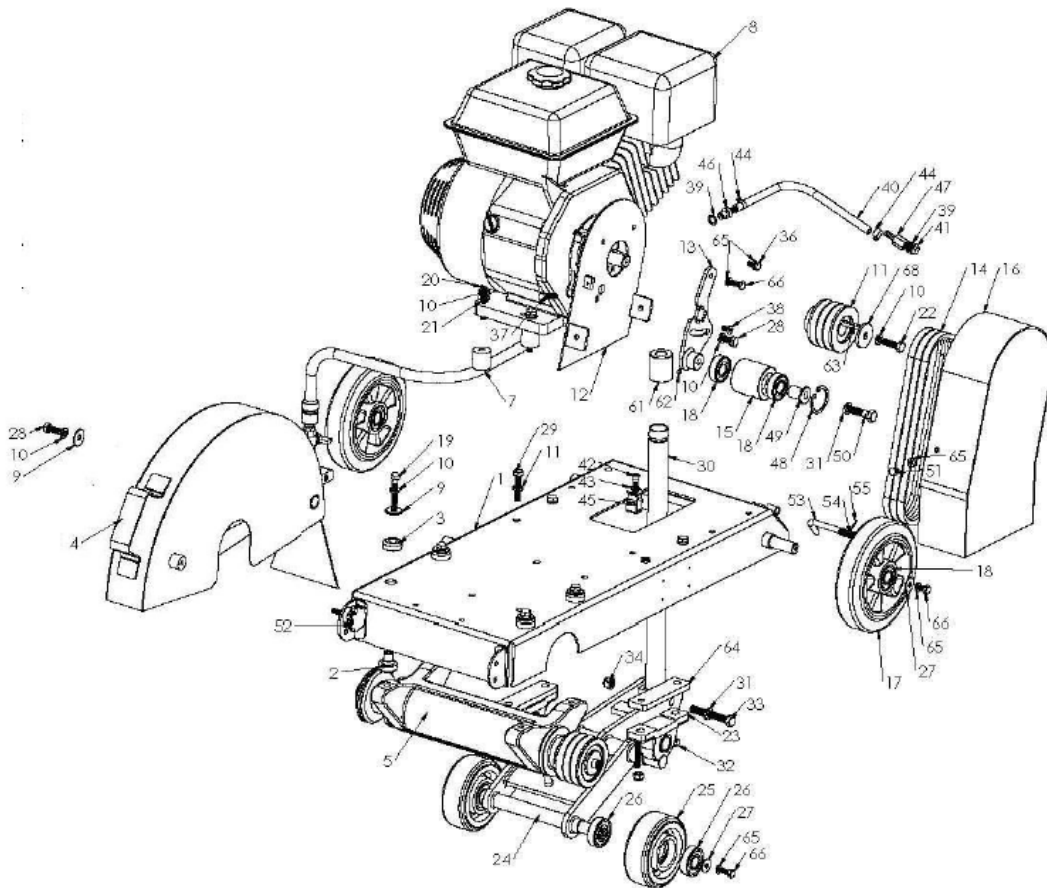
TUBEFRAME ASSEMBLY



| NO. | PART NO. | PART NAME | QTY |
|-------|---------------------------------|-------------------|-----|
| 03-1 | HCC16A-HC.N-M10-DIN-2 | Nut | 1 |
| 03-2 | HCC16A-WOD.W10-GB-2 | Washer | 2 |
| 03-3 | ROL650-070200 | Water Tank Cap | 1 |
| 03-4 | HCC16A-35-A | Water tank | 1 |
| 03-5 | HCC16A-23-A | Tube Frame | 1 |
| 03-6 | HCC20A-030406 | Frame washer | 12 |
| 03-7 | HCC16A-FN.W8-DIN-2 | Washer | 6 |
| 03-8 | HCC16A-HSPG.W8-DIN-2 | Washer | 7 |
| 03-9 | HCC16A-FN.B-M8x55-8.8HALF-DIN-2 | Bolt | 4 |
| 03-10 | HCC16A-FN.B-M10x35-8.8-DIN-1 | Bolt | 1 |
| 03-11 | HCC20A-030414 | Water Tank Tir In | 1 |
| 03-12 | HCC20A-030416 (1600 mm) | Hose | 1 |
| 03-13 | HCC16A-FN.B-M8x65-8.8HALF-DIN-2 | Bolt | 2 |
| 03-14 | HCC16A-FNL.N-M8-DIN-2 | Nut | 2 |
| 03-15 | HCC16A-FN.B-M8x20-8.8HALF-DIN-2 | Bolt | 1 |
| 03-16 | HCC20-010006 | Myriad Wheel | 1 |
| 03-17 | HCC20-010200 | Pointer | 1 |
| 03-18 | HCC20A-030300 | Cover | 2 |
| 03-19 | HCC16A-92-B | Leading Pole | 1 |



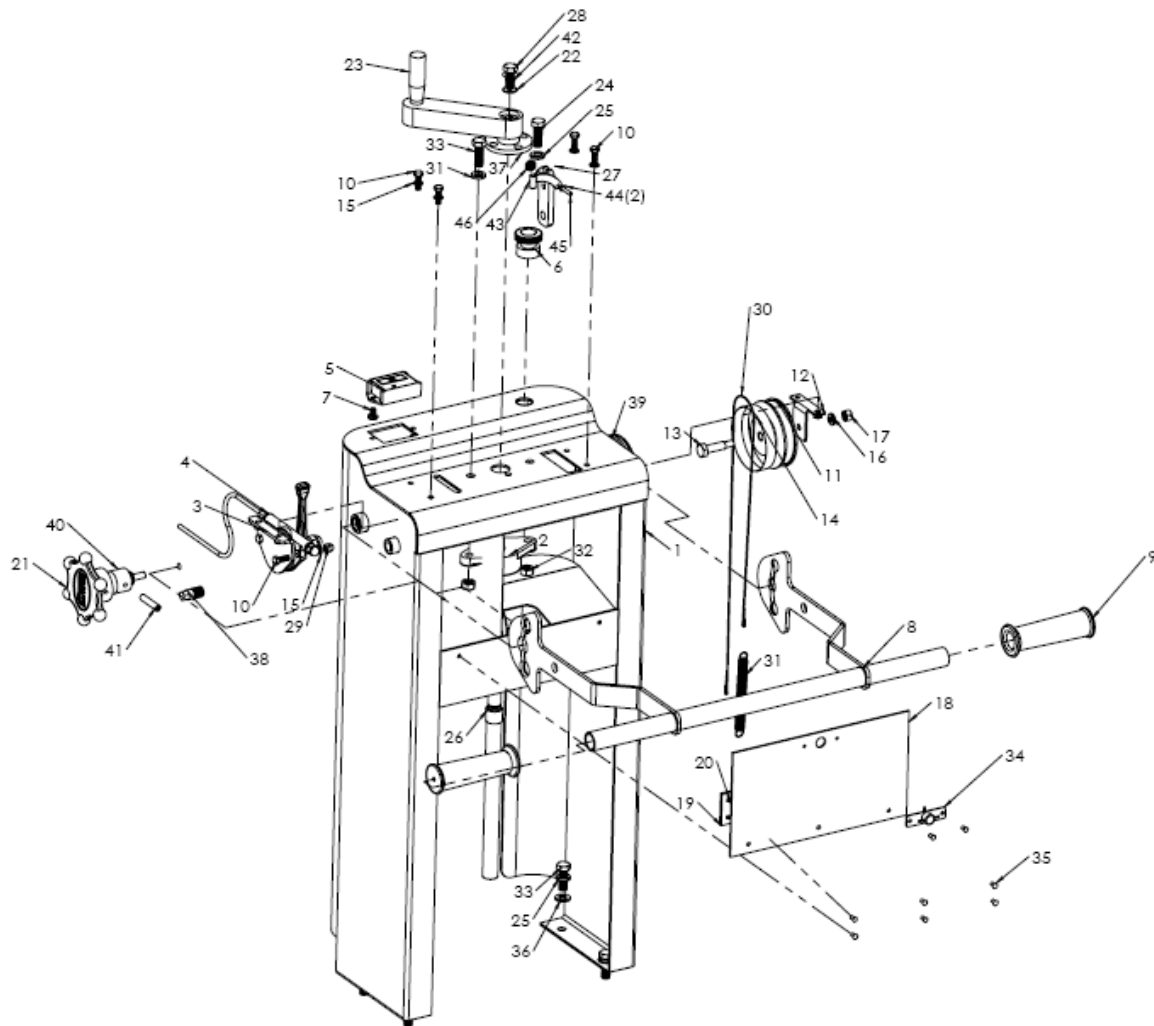
ENGINE BASE ASSEMBLY



| NO. | PART NO. | PART NAME | QTY |
|-------|-------------------------------|-----------------------|-----|
| 04-1 | HCC16A-01-A | Engine Base Frame | 1 |
| 04-2 | HCC16A-06-A | Shock Mount Female | 4 |
| 04-3 | HCC16A-06.1-A | Shock Mount Male | 4 |
| 04-4 | HCC16A-57-A | Blade Cover weldment | 1 |
| 04-5 | HCC16A-00.1-A | Spindle Assembly | 1 |
| 04-7 | HCC16A-01.2-A | Engine Support | 4 |
| 04-8 | HCC16A-05-A | Engine | 1 |
| 04-9 | HCC16A-WOD.W10-GB-1 | Washer | 5 |
| 04-10 | HCC16A-HSPG.W10-DIN-1 | Lock Washer | 15 |
| 04-11 | HCC16A-28-A | Engine Spindle Pulley | 1 |
| 04-12 | HCC16A-65-A | v-belt plate | 1 |
| 04-13 | HCC20A-010900 | Idler Pulley bracket | 1 |
| 04-14 | HCC16A-40-A | v-belt | 3 |
| 04-15 | HCC20A-010423 | Idler | 1 |
| 04-16 | HCC16A-66-A | V-belt cover | 1 |
| 04-17 | HCC20A-010500 | Rear Wheel | 2 |
| 04-18 | HCC16A-31-A | Rear Wheel Bearing | 6 |
| 04-19 | HCC16A-FN.B-M10x60-10.9-DIN-1 | Bolt | 4 |
| 04-20 | HCC16A-FN.B-M10x70-10.9-DIN-1 | Bolt | 4 |
| 04-21 | HCC16A-FN.W10-DIN-1 | Washer | 4 |
| 04-22 | HCC16A-FN.B-M10x35-8.8-DIN-1 | Bolt | 1 |
| 04-23 | HCC16A-54-A | LB Bearing | 2 |
| 04-24 | HCC16A-30-A | Lifting Base | 1 |
| 04-25 | HCC20-050400 | Front wheel | 2 |
| 04-26 | HCC16A-32-A | Front Wheel bearing | 4 |
| 04-27 | HCC16A-WOD.W8-GB-1 | Washer | 4 |
| 04-28 | HCC16A-FN.B-M10x25-8.8-DIN-1 | Bolt | 2 |
| 04-29 | HCC16A-FN.B-M10x50-8.8-DIN-1 | Bolt | 4 |
| 04-30 | HCC16A-20-B | Lifting Rod | 1 |
| 04-31 | HCC16A-HSPG.W12-DIN-1 | Lock Washer | 2 |
| 04-32 | HCC16A-IN.N-M10-DIN-1 | Lock Nut | 4 |
| 04-33 | HCC16A-FN.B-M12x90-8.8-DIN-1 | Bolt | 1 |

| | | | |
|-------|----------------------------------|-------------------------|---|
| 04-34 | HCC16A-IN.N-M12-DIN-1 | Lock Nut | 1 |
| 04-35 | HCC16A-FN.B-M8x35-8.8-DIN-1 | Bolt | 2 |
| 04-36 | HCC16A-FN.B-M8x16-8.8-DIN-1 | Bolt | 1 |
| 04-37 | HCC16A-FN.B-M8x40-8.8-DIN-1 | Bolt | 1 |
| 04-38 | HCC16A-HSF.S-M8x16-8.8-DIN-1 | Bolt | 1 |
| 04-39 | HCC16A-GB97.1-M12 | Cuprum Washer | 2 |
| 04-40 | HCC20A-010432 | Hose | 1 |
| 04-41 | HCC16A-HHOS.B-M12x1.5 | Bolt | 1 |
| 04-42 | HCC16A-HS.B-M8x25-8.8-GB-2 | Screw | 1 |
| 04-43 | HCC16A-HSPG.W8-DIN-2 | Spring Washer Tang ends | 1 |
| 04-44 | RAM85d-000026 | Hose Band | 2 |
| 04-45 | ROL6.5-080000 | Pipe Holder | 1 |
| 04-46 | ROL650-010300 | Connector A | 1 |
| 04-47 | ROL650-010400 | Connector B | 1 |
| 04-48 | HCC16A-CH.RG47 | Internal Circlip | 1 |
| 04-49 | HCC20A-030409 | Bearing Bush | 1 |
| 04-50 | HCC16A-FN.B-M12x45-8.8HALF-DIN-2 | Bolt | 1 |
| 04-51 | HCC16A-FN.B-M8x12-8.8-DIN-1 | Bolt | 2 |
| 04-52 | HCC16A-StarH-M8x15 | Star Bolt | 1 |
| 04-53 | HCC20A-010427 | Brake bar | 1 |
| 04-54 | HCC16A-19.0.033 | Spring | 1 |
| 04-55 | HCC16A-SP.PIN-1.6x20 | Split Pin | 1 |
| 04-61 | HCC16A-21-A | Feed Connector | 1 |
| 04-62 | HCC16A-ConeHSS.S-M6x10-GB-3 | Socket Head Screw | 1 |
| 04-63 | HCC16A-08-A | Engine Key | 1 |
| 04-64 | HCC16A-01.6-A | LB Bearing Support | 2 |
| 04-65 | HCC16A-HSPG.W8-DIN-1 | Lock Washer | 8 |
| 04-66 | HCC16A-FN.B-M8x20-8.8-DIN-1 | Bolt | 5 |
| 04-68 | HCC16A-29-A | Engine spindle washer | 1 |

FRAME ASSEMBLY



| NO. | PART NO. | PART NAME | QTY |
|-------|------------------------------|-------------------------|-----|
| 05-1 | HCC16A-10-C | Support Frame | 1 |
| 05-2 | HCC16A-13-A | Bearing | 1 |
| 05-3 | HCC20A-020220 | Throttle Level support | 1 |
| 05-4 | RAM70ND-010018 | Throttle Lever | 1 |
| 05-5 | HCC20A-020208 | Hourmeter | 1 |
| 05-6 | HCC20A-020210 | Stop Switch | 1 |
| 05-7 | HCC16A-PAN.S-M6X10 | Pan Head Screw | 2 |
| 05-8 | HCC16A-70-A | Handle Bar Weldment | 1 |
| 05-9 | HCC20A-100G-010001 | Handle Bar Cover | 2 |
| 05-10 | HCC16A-FN.B-M6x20-8.8-DIN-2 | Bolt | 6 |
| 05-11 | HCC20A-020206 | Show Wheel | 1 |
| 05-12 | HCC20A-020209 | Bracket | 1 |
| 05-13 | HCC20A-020221 | Bolt | 1 |
| 05-14 | HCC16A-97-A | Depth Control Sticker | 1 |
| 05-15 | HCC16A-HSPG.W6-DIN-2 | Spring Washer Tang ends | 6 |
| 05-16 | HCC16A-HSPG.W8-DIN-2 | Spring Washer Tang ends | 1 |
| 05-17 | HCC16A-FN.N-M8-DIN-2 | Nut | 1 |
| 05-18 | HCC16A-72-A | ToolBox Cover | 1 |
| 05-19 | HCC20A-020205 | Rubber Connect Patch | 1 |
| 05-20 | HCC20A-020211 | Plank | 2 |
| 05-21 | HCC16A-70.61P-A | Handle Bar Lock Knob | 2 |
| 05-22 | HCC16A-WOD.W6-GB-1 | Washer | 1 |
| 05-23 | HCC20A-39-A | Rocker | 1 |
| 05-24 | HCC16A-FN.B-M10x35-8.8-DIN-1 | Bolt | 1 |
| 05-25 | HCC16A-HSPG.W10-DIN-2 | Spring Washer Tang ends | 7 |
| 05-26 | HCC16A-21-D | Feed mating rod | 1 |
| 05-27 | HCC16A-101-A | Locker Support | 1 |
| 05-28 | HCC16A-FN.B-M6x30-8.8-DIN-2 | Bolt | 1 |
| 05-29 | HCC16A-HC.N-M6-DIN-2 | Cap nut | 2 |
| 05-30 | HCC20A-030418 | Depth Control wire | 1 |
| 05-31 | CUT43-051001 | Tension Spring | 1 |

| | | | |
|-------|------------------------------|-------------------------|---|
| 05-32 | HCC16A-FN.N-M10-DIN-2 | Nut | 2 |
| 05-33 | HCC16A-FN.B-M10x30-8.8-DIN-1 | Bolt | 5 |
| 05-34 | HCC20A-030411 | Lock | 1 |
| 05-35 | HCC16A-K.RVT-4.0x10 | Rivet | 8 |
| 05-36 | HCC16A-FN.W10-DIN-2 | Washer | 4 |
| 05-37 | HCC16A-100-A | Lock Holder | 1 |
| 05-38 | HCC16A-FN.B-M12X10-8.8-DIN-1 | Bolt | 2 |
| 05-39 | HCC16A-33-B | Stricker | 1 |
| 05-40 | HCC16A-70.62P-A | Handle Knob | 2 |
| 05-41 | HCC16A-SC.PIN-5x40 | Slotter Pin | 2 |
| 05-42 | HCC16A-HSPG.W6-DIN-1 | Spring Washer Tang ends | 1 |
| 05-43 | HCC16A-102-A | Hooker W | 1 |
| 05-44 | HCC16A-WSW-W4-DIN-1 | Wave washer | 2 |
| 05-45 | HCC16A-FN.B-M4X35-DIN-1 | Bolt | 1 |
| 05-46 | HCC16A-IN.N-M4-DIN-1 | Nut | 1 |

