

CC450

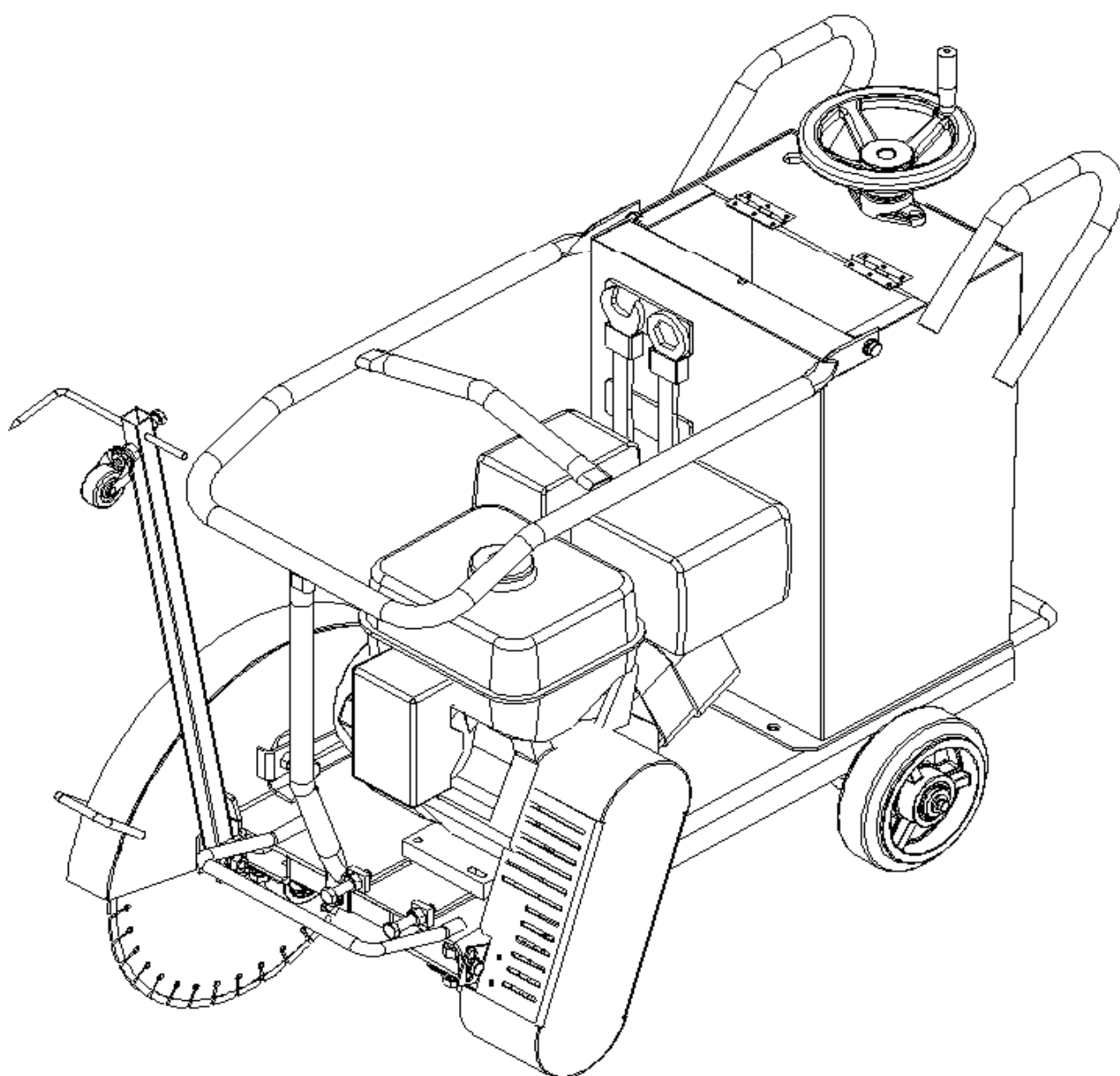
HONDA



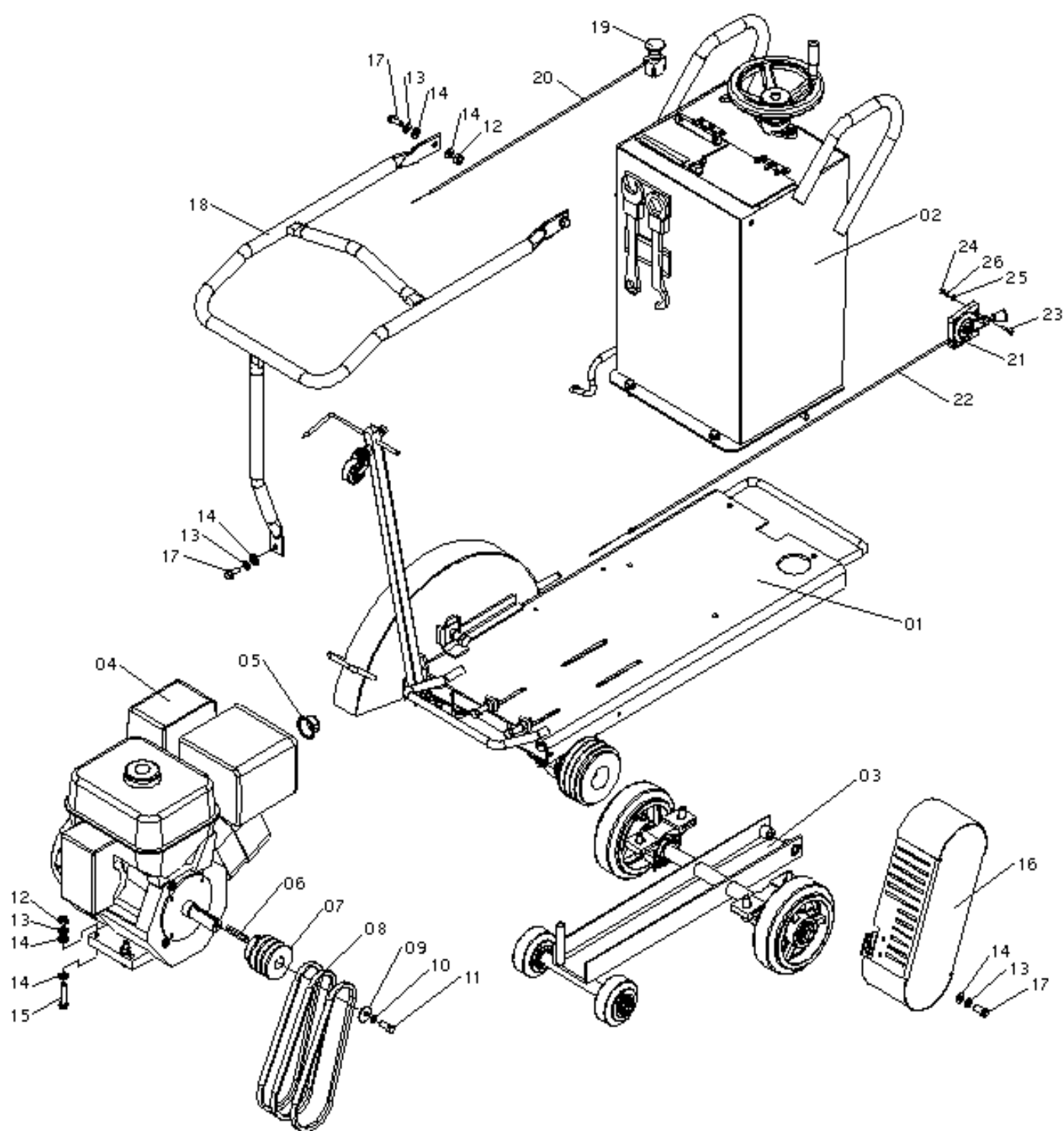
CONCRETE CUTTER

Part List Catalogue

Pièces détachées



(ENGLISH VERSION)

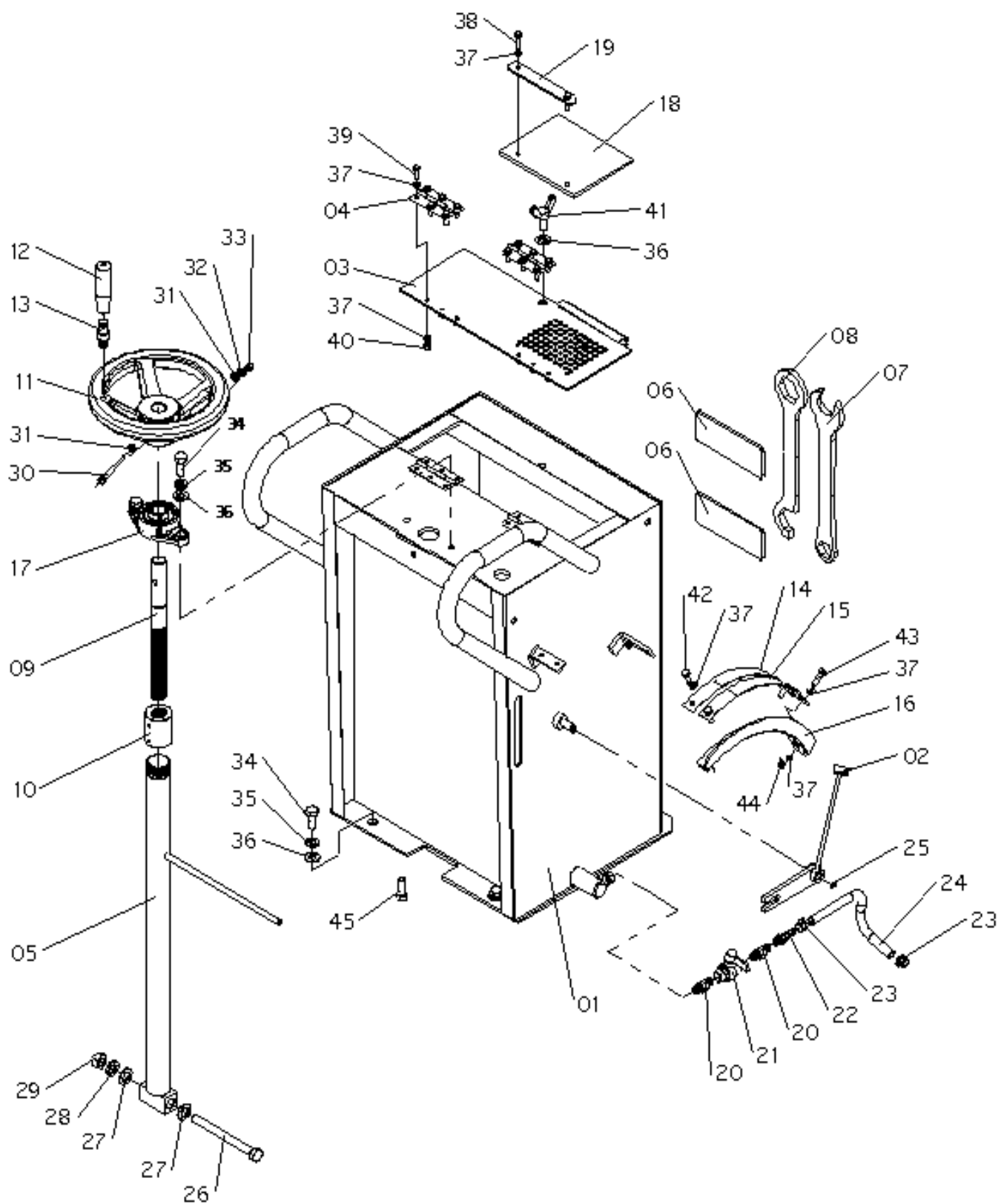


CLEAR CUT 450 HONDA GX390 Q TYPE

ITEM NUMBER	PART NUMBER	DESCRIPTION	QUANTITY
1	301.45.14000	Bed Assembly	1
2	301.45.11000	Water Tank Assembly	1
3	301.45.13000	Wheel Bracket Assembly	1
4	301.45.00004	Honda GX390 Q Type	1
5	301.40.00004	Reflector	1
6	301.40.00005	Shaft Key	1
7	301.40.00006	Engine Pulley	1
8		V Belt A30	3
9	301.40.00007	Pulley Washer	1
10		Spring Washer M8	1
11		Hex Bolt 3/8"X 1"	1
12		Hex Nut M10	6
13		Spring Washer M10	9
14		Flat Washer M10	15
15		Hex Bolt M10 X 50	4
16	301.45.00200	Belt Guard	1
17		Hex Bolt M10 X 25	4
18	301.40.00200	Protection Guard	1
19	301.40.00008	Emergency Stop Button	1
20	301.40.00009	Wire Cable	1
21	301.40.00010	Throttle Lever	1
22	301.40.00011	Throttle Cable	1
23		Truss Head Screw M5 X 25	2
24		Hex Nut M5	2
25		Flat Washer M5	2
26		Spring Washer M5	2

Water Tank Assembly

CC 450

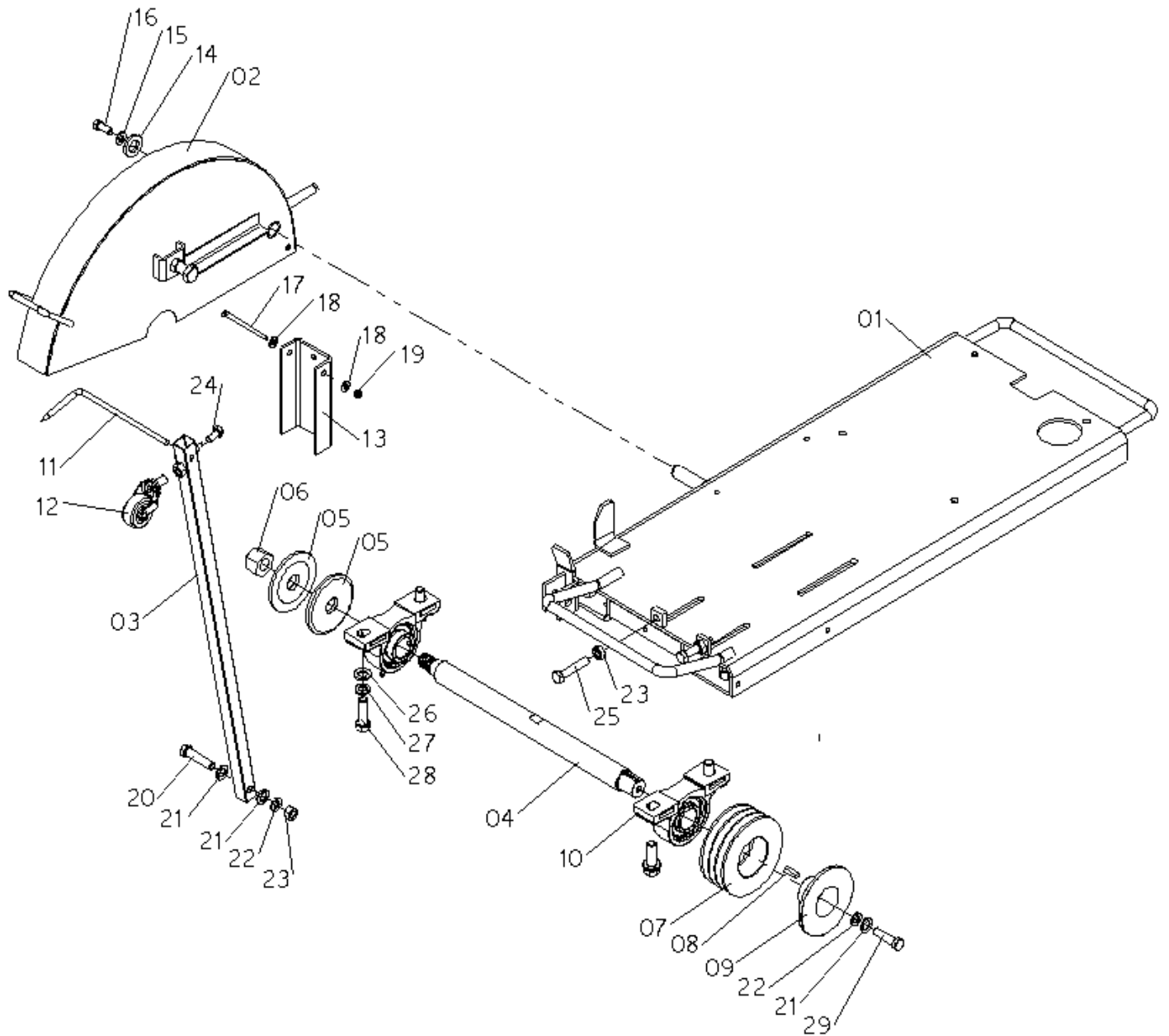


WATER TANK ASSEMBLY (301.45.11000)

ITEM NUMBER	PART NUMBER	DESCRIPTION	QUANTITY
1	301.45.11100	Water Tank	1
2	301.40.11400	Compass Needle	1
3	301.45.11001	Tank Lid	1
4		Hinge	2
5	301.45.11200	Junction Pipe Assy	1
6	301.40.11002	Spanner Anti Vib Pad	2
7	301.40.00001	32mm Spanner	1
8	301.40.00002	35mm Spanner	1
9	301.40.11003	Lifting Shaft	1
10	301.40.11004	Threaded Collar	1
11	301.40.11005	Lift Wheel	1
12	301.40.11006	Rotation Grip	1
13	301.40.11007	Rotation Nipple	1
14	301.45.11008	16" Blade Depth Gauge	1
15	301.45.11009	18" Blade Depth Gauge	1
16	301.40.11300	Depth Gauge Guard	1
17		Pillow Case Bearing	1
18	301.45.11010	Tank Flap	1
19	301.40.11011	Flap Bracket	1
20		Adaptor	1
21		Ball Valve	1
22		Tank Horsetail	1
23		Hose Clip	2
24		Rubber Hose	1
25		Retaining Circlip	1
26		Hex Bolt M12 X 120	1
27		Flat Washer M12	2
28		Spring Washer M12	1
29		Hex Nut M12	1
30		Hex Bolt M6 X 20	1
31		Flat washer M6	2
32		Spring Washer M6	1
33		Hex Nyloc Nut M6	1
34		Hex Bolt M10 X 25	6
35		Spring Washer M10	6
36		Flat Washer M10	7
37		Flat Washer M5	36
38		Hex Bolt M5 X 20	2
39		Hex Bolt M5 X 16	12
40		Hex Nyloc Nut M5	14
41		Wing Bolt M10 X 20	1
42		Hex Bolt M6 X 16	2
43		Hex Bolt M6 X 20	2
44		Hex Nut M6	4
45		Hex Bolt M16 X 25	1

Bed Assembly

CC 450

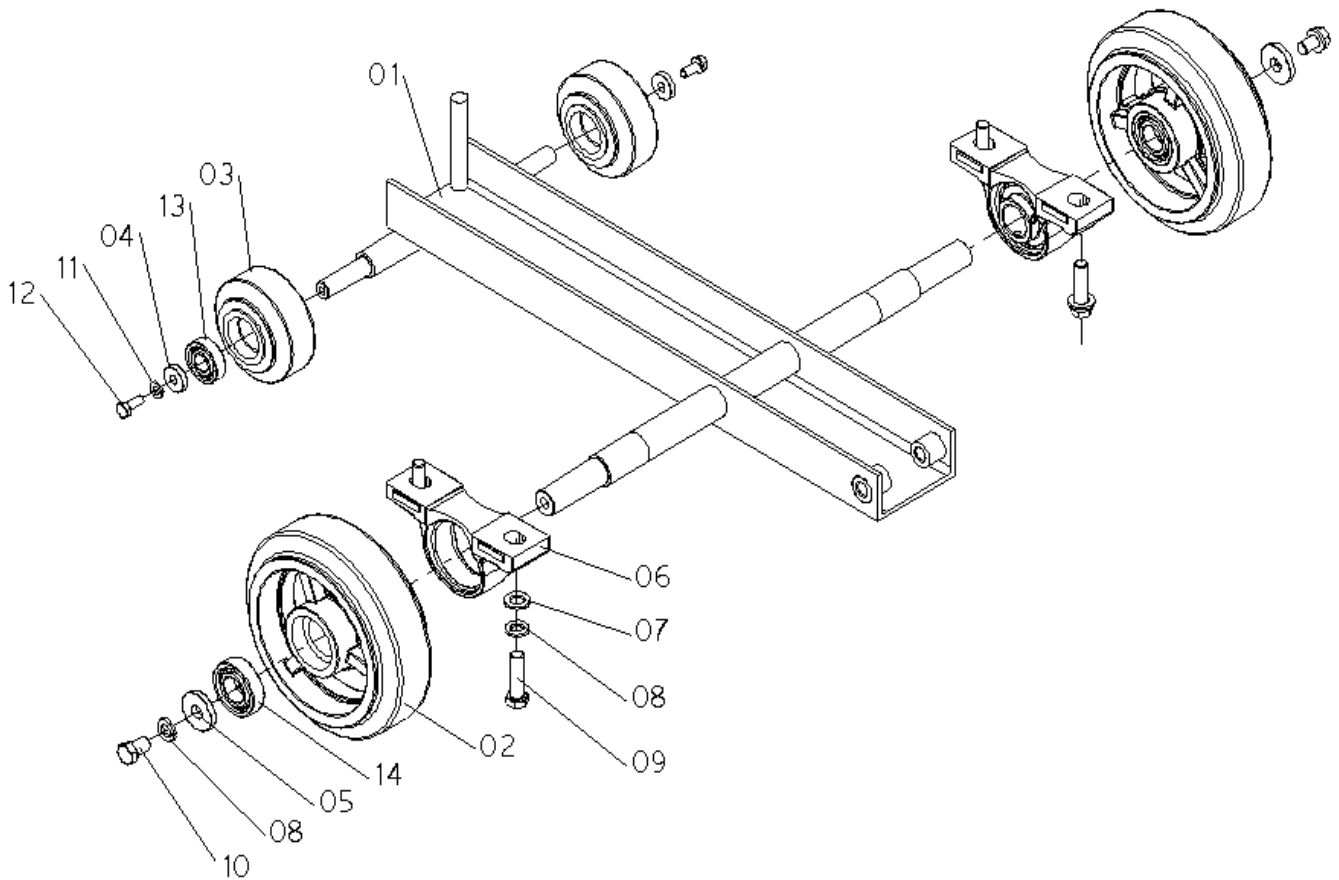


Bed Assembly (301.45.14000)

ITEM NUMBER	PART NUMBER	DESCRIPTION	QUANTITY
1	301.45.14100	Bed Plate (Honda Engine Only)	1
2	301.45.12300	Blade Cover	1
3	301.40.12200	Guide Arm	1
4	301.45.12001	Blade Shaft	1
5	301.40.12005	Blade Holder	2
6	301.40.12006	Blade Lock Nut	1
7	301.40.12003	Blade Shaft Pulley	1
8	301.40.12002	Blade Shaft Key	1
9	301.40.12004	Pulley Flange	1
10		Housed Pillow Bearing	2
11	301.40.12009	Guide Needle	1
12	301.40.12010	Jockey Wheel	1
13	301.40.12008	Dust Guard	1
14	301.40.12007	Cone Disc Washer 18"	1
15		Flat Washer M10	1
16		Hex Bolt M10 X 25	1
17		Hex Bolt M6 X 90	1
18		Flat Washer M6	2
19		Hex Nyloc Nut M6	1
20		Hex Nut M12 X 55	1
21		Flat Washer M12	3
22		Spring Washer M12	2
23		Hex Nut M12	1
24		Hex Bolt M10 X 20	1
25		Hex Bolt M12 X 90	2
26		Flat Washer M14	4
27		Spring Washer M14	4
28		Hex Bolt M14 X 45	4
29		Hex Bolt M12 x 45	1

Wheel Bracket

CC 450



Wheel Bracket Assembly (301.45.13000)

ITEM NUMBER	PART NUMBER	DESCRIPTION	QUANTITY
1	301.45.13100	Body	1
2	301.40.13200	Rear Wheel	2
3	301.40.13300	Front Wheel	2
4	301.40.13001	Front Wheel Washer	2
5	301.40.13002	Rear Wheel Washer	2
6		Pillow Bearing	2
7		Flat Washer M12	4
8		Spring Washer M12	6
9		Hex Bolt M12X45	4
10		Hex Bolt M12X20	2
11		Spring Washer M8	2
12		Hex Bolt M8x20	2
13		Bearing	4
14		Bearing	4

Paclite Equipment a brand within Uni-Corp

UNI-Corp Europe



+33 (0) | 49 81 69 55

Paclite Equipment



+33 (0) | 48 98 40 88

33, avenue Pierre Brossolette

94085 Créteil -FRANCE

www.paclite-equip.com