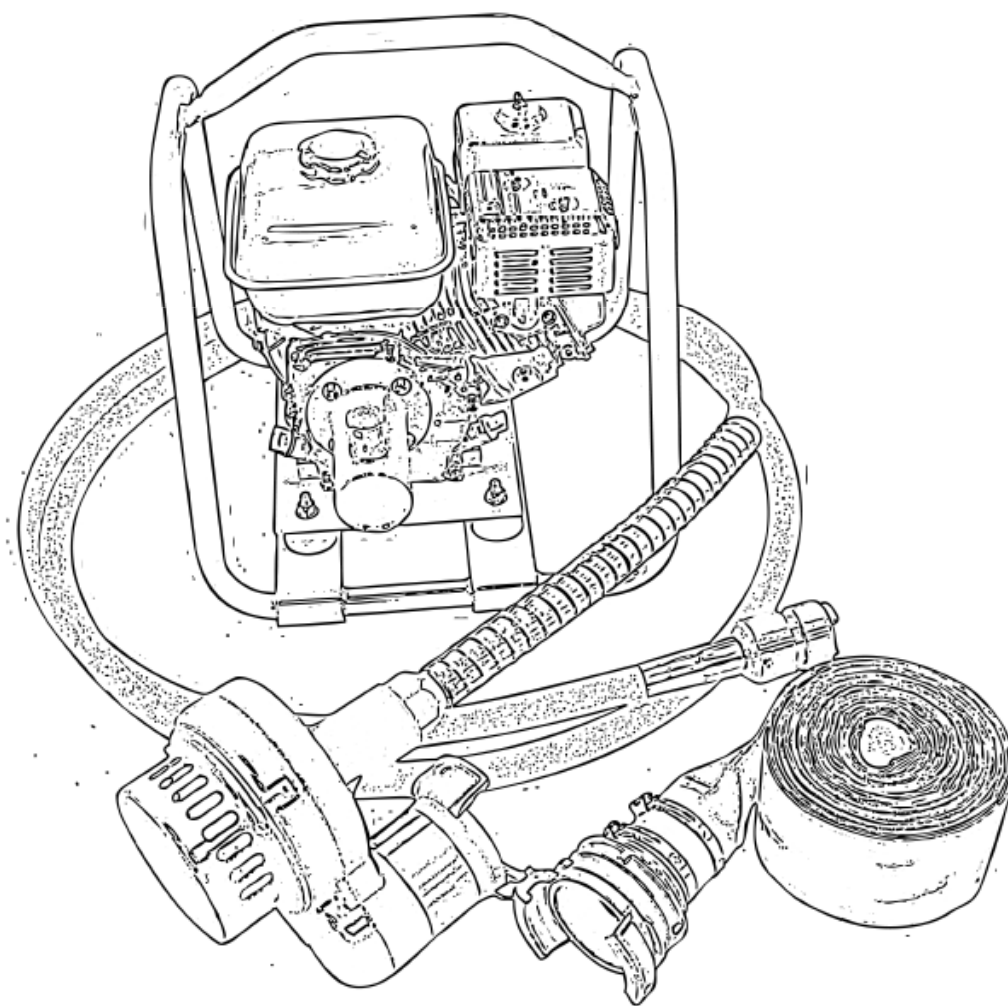


# Power Pump *Premium*



**SUBMERSIBLE WATER PUMP**

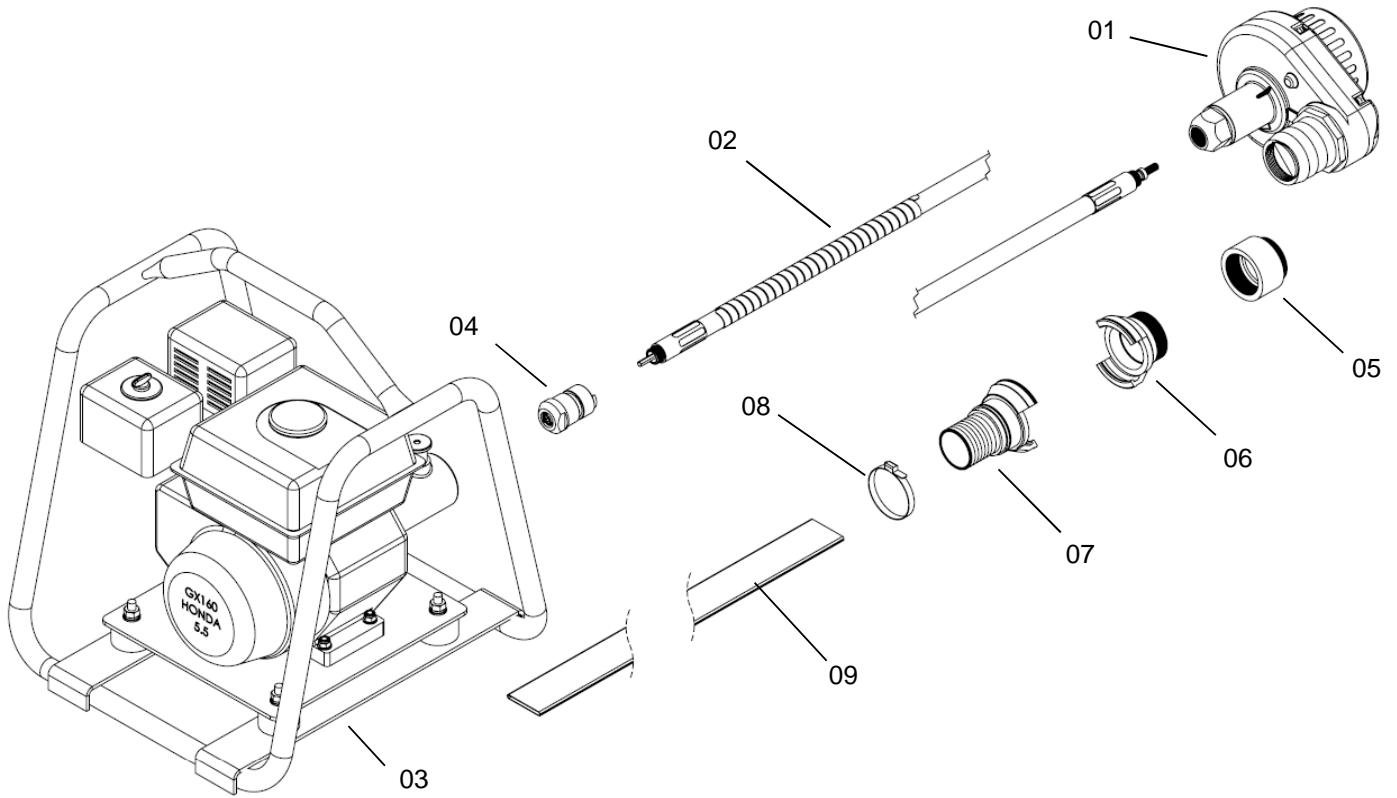
## Part List Catalogue *Pièces détachées*



(ENGLISH VERSION)

# Power Pump

Premium

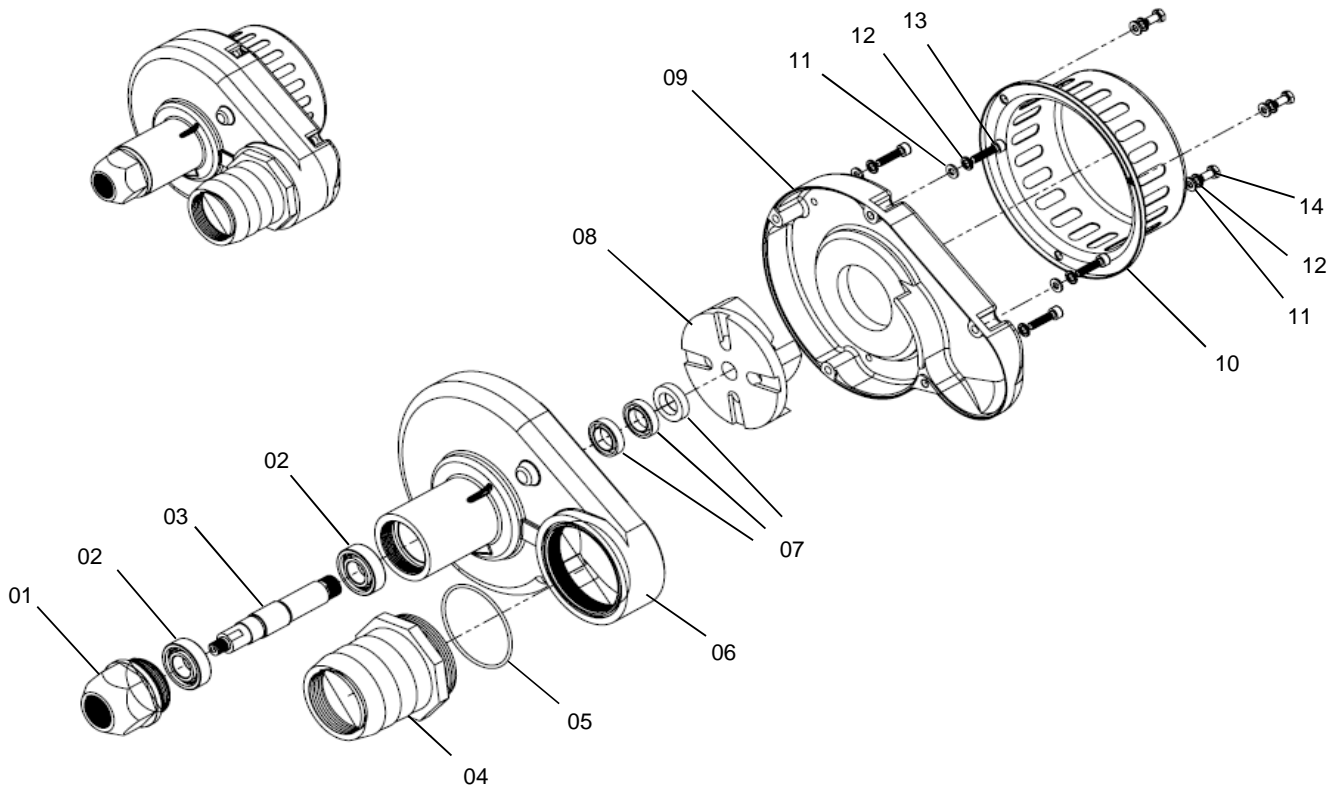


## Power Pump Assembly c/w Drive Unit GX160 CE and Accesories (104.10.80101)

ITEM NUMBER	PART NUMBER	DESCRIPTION	QUANTITY
1	104.10.11000	Pump Unit Assembly	1
2	104.10.12000	Hose Unit Assembly	1
3	105.16.10001	Drive Unit Assembly	1
4	102.01.00000	PPP Coupling	1
5	104.01.00001	Adaptor	1
6	104.01.11002	3" BSP Male Coupling	1
7	104.01.11001	3" BSP Hose Shank	1
8	104.01.00003	Hose Clip	1
9	104.01.00002	3" Discharge Hose	1

# Pump Unit

Premium

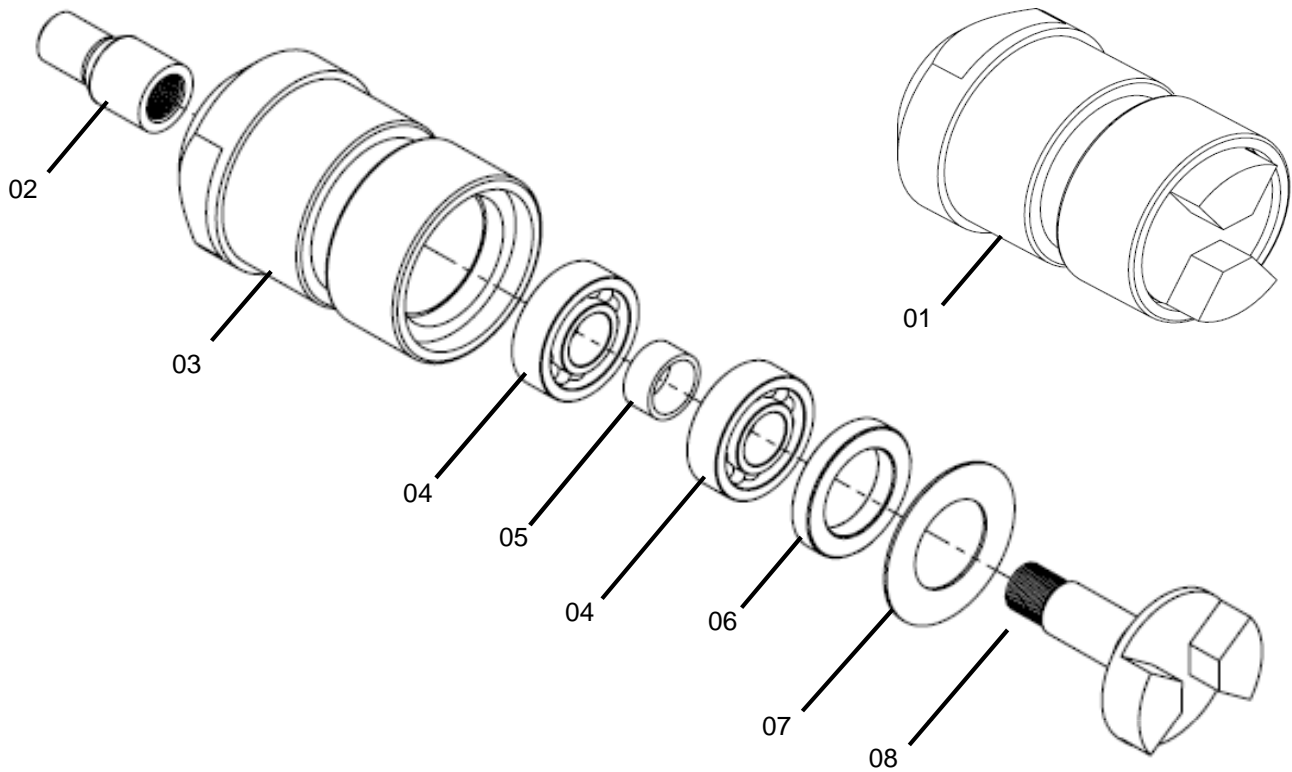


## Pump Unit Assembly - (104.10.11000)

ITEM NUMBER	PART NUMBER	DESCRIPTION	QUANTITY
1	104.10.11004	Hexagon Coupling	1
2		Bearing	2
3	104.10.11001	Rotating Shaft	1
4	104.10.11005	Outlet Coupling	1
5		O-Ring	1
6	104.10.11001	Upper Casing	1
7		Oil Seal	12
8	104.10.11006	Impeller	4
9	104.10.11007	Lower Casing	1
10	104.10.11008	Pump Strainer	4
11		Flat Washer M6	8
12		Spring Washer M6	8
13		Hex Socket Cap Screw M6 x 20 FT	5
14		Hexagon Bolt M6 x 16 FT	3
-	104.10.01000	Pump Unit Repair Kit ( consist of item no 2,5 and 7)	1 set

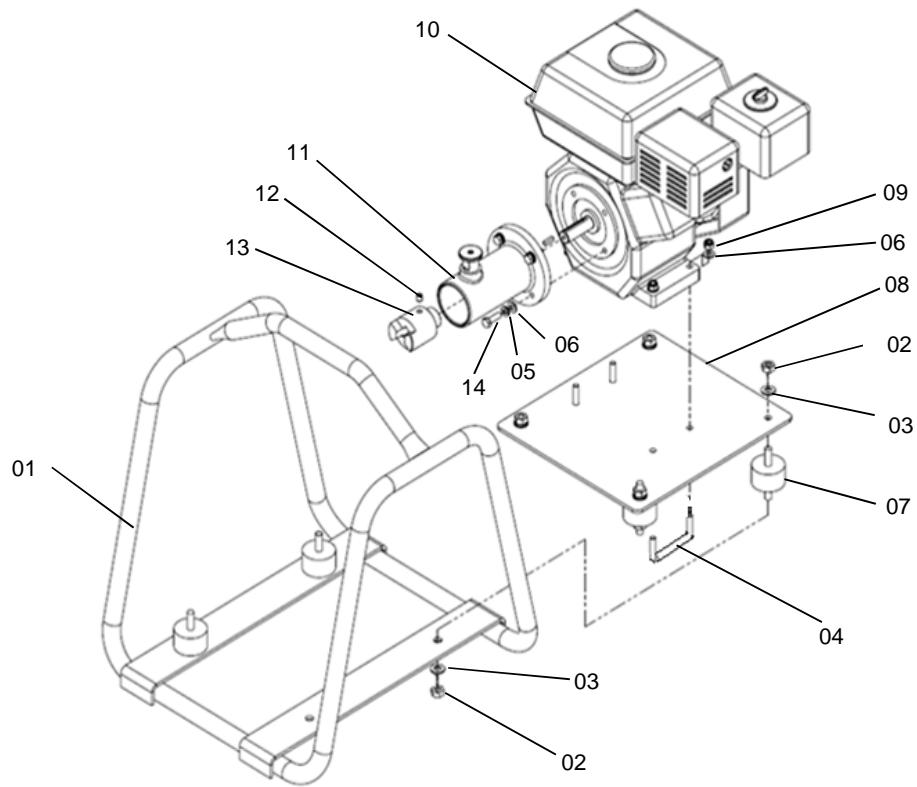
# PPP Coupling

Premium



## PPP Coupling Assembly (102.01.00000)

ITEM NUMBER	PART NUMBER	DESCRIPTION	QUANTITY
1	101.01.00000	PPP Coupling	1
2	102.01.00002	Hexagon Screw Cap	1
3	102.01.00001	Hose Connector	1
4		Bearing	2
5	102.01.00003	Spacer	1
6		Oil Seal	1
7	102.01.00004	Washer	1
8	102.01.00005	Shaft Coupling	1 set
-	102.01.01000	Coupling Repair Kit (consist of item no 4 & 5)	



## Drive Unit 2-Dog type c/w Honda GX 160 CE Assembly (105.16.10001)

ITEM NUMBER	PART NUMBER	DESCRIPTION	QUANTITY
1	105.16.11100	Engine Frame WA	1
2		Nyloc M10	8
3		Flat Washer M10	8
4		U-Bolt M8	2
5		Spring Washer M8	4
6		Flat Washer M8	12
7	201.65.00008	Anti Vibration Mount	4
8	105.16.10001	Engine Plate	1
9		Nyloc Nut M8	4
10	201.75.00010	Engine (HONDA GX160 - QX4 CE)	1
11	105.16.12000	PPU kit	1
12		Hex Socket Set Screw M8 x 10	1
13	105.16.12002	Shaft Coupling (2 Dog)	1
14		Hex Bolt 5/16"-24 UNF x 25	4

## **Paclite Equipment a brand within Uni-Corp**

---

UNI-Corp Europe



+33 (0) | 49 81 69 55

Paclite Equipment



+33 (0) | 48 98 40 88

33, avenue Pierre Brossolette

94085 Créteil -FRANCE

[www.paclite-equip.com](http://www.paclite-equip.com)