

# DOUBLE DRUM ROLLER

# ***PACLITE***

# **VR6500**



## SPECIALIST IN COMPACTION



of France



# INDUSTRIAL INNOVATION IN PERFORMANCE, SAFETY AND DURABILITY

**PACLITE** hydraulically driven double vibratory rollers are designed for a wide range of work on soil and asphalt. Suitable for the construction and repair of pavements, shoulders, tracks, forecourt and garage entrances, playgrounds as well as agricultural and forestry roads. The hydrostatic drive and large drum diameter are particularly suited for use on bituminous layers. VR6500 provides excellent surface finish on asphalt where shoving and crackin is reduced to a minimum. Among hirers PACLITE rollers are popular because of their easy handling and almost maintenance-free design. The added safety and easy handling improves output and operator productivity. These features are very important for consistent compaction results.

## ADVANTAGES

- Excellent traction and climbing ability with hydrostatic all-drum drive
- High flexibility with infinitely variable speed control and sensitive operation for smooth starting and braking.
- Better climbing ability with synchronised exciter shafts.
- Wall clearance with narrow lateral overhang for compaction along pavements, walls and other obstacles
- Self-cleaning drum for good traction and better surface finish with 2 scrapers.
- Carbon sprinkler which is easily detached
- Low noise Water cooled low speed Kubota engine long lasting properties
- Vibration can be switched on or off to suit work in hand.
- The comfortable steering arm adjustment, ergonomically arranged controls and lowvibration steering handle significantly increase operator productivity.
- Large-size 47l water tank for extended use and reduced refill stops, easy cleaning access.
- The electric start is standard equipment on both models VR6500 and 800HD(CE models).
- Manual start version is available as a non CE version

Powered by  
**Kubota**



Easy access



Improved handle lock for storage



Heavy weight walk behind roller

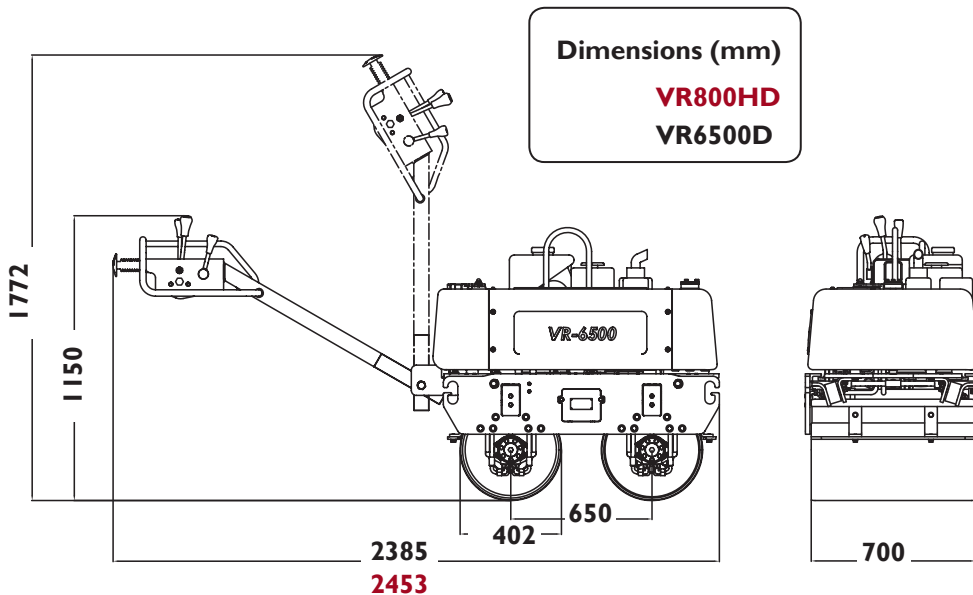




# VR6500 - SPECIFICATIONS

Model	VR6500D	VR6500DM	VR800HD
Code	VR-6500KR	VR6500KM	VR800D
Centrifugal force (kN)	20	20	20 - Twin - exciter system
Dimension LxWxH (mm)	2385x700x1772	2385x700x1772	2465x754x1163
Overall Length (mm)	2385	2385	2385
Overall Height (mm)	1150	1150	1150
Overall Width (mm)	700	700	800
Curb Clearance (mm)	260	260	380
Wheel Base (mm)	560	560	560
Shipping Dimensions (mm)	700x1400x1800	700x1400x1800	800x1900x1900
Height at Storage (mm)	1800	1800	1800
Weight (kg)	675	675	830
Shipping weight (kg)	700	700	890
Drum size DxW (mm)	402x650	402x650	402x700
Lateral Overhang (mm)	25	25	60
Working speed forward (km/h)	0-3,6	0-3,6	0-3,6
Travel speed (reverse) (km/h)	0-2,5	0-2,5	0-2,5
Max.area capacity m <sup>2</sup> /hour	2400	2400	2400
<b>Engine</b>	<b>Kubota diesel E75NB3</b>	<b>kubota manual motor E75N</b>	<b>Kubota diesel EA330 -E3-NBI</b>
Engine power hp (kW)	6,5 (4,8)	6,5 (4,8)	- 6,9 (5,15)
Electric start	yes	No	yes
Oil tank capacity (Ltr)	30	30	30
Reverse Speed Limiter	integrated	integrated	integrated
CE certified	yes	yes	yes
Fuel Capacity (l)	31	31	5
Hydraulic Oil Capacity (l)	30,1	30,1	30
Oscillation	+ / - 8° + / - 8°	+ / - 8° + / - 8°	+ / - 8° + / - 8°
Hydraulic motor	Sauer-Danfoss	Sauer-Danfoss	Sauer-Danfoss
Side Clearance (mm)	40	40	40
French classification	setra/lcpc : PV2	n.a	n.a

Product improvement is a continuing goal at PACLITE. Designs and specifications are subject to change without notice or obligation.



**Dimensions (mm)**  
**VR800HD**  
**VR6500D**

COMPACTION			
Machine type Compaction output (m <sup>3</sup> /h) at recommended soil layer thicknesses			
Gravel	sand	Mixed soil	Silt, clay
VR6500	30-40	30-40	15-20
VR800HD	40-50	40-50	20-30
Machine type Compaction output (t/h) at different asphalt layer thicknesses			
Cm /layer	2-4	6-8	10-14
VR6500	12-20	20-30	40-50
VR800HD	14-20	25-35	45-65



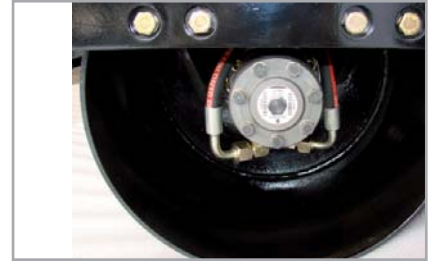
Powered by  
**Kubota**



New: reduced overhang and improved wall clearance.



Water cooled Kubota engine



Sauer Danfoss hydraulic motors



New improved larger water tank 47 l



Steel push stop



Reverse speed limiter

Distributor's Stamp :

Powered by  
**Kubota**



[www.paclite-equip.com](http://www.paclite-equip.com)



70, avenue du Général de Gaulle 94000 Créteil FRANCE - tél. +33 (0) | 49 81 69 55 - fax. +33 (0) | 48 98 40 88 email: [sales@paclite-equip.com](mailto:sales@paclite-equip.com)



*Pictures are not contractual, Paclite reserves the right to change specifications and design without notice.*