

## V450-COMBI MAIN FRAME ASSY.





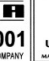
NO.	PART NO.	PART DESCRIPTION	QTY	Unit Price (EUR) 2018
1	V450-90C-010500	BASE PLATE	1	
2	V450-90P-020400	CLOSE COVER	1	€ 28,85
3	V450-W04-90x3.5	O RING	2	€ 6,10
4	V450-W01-6308ZZC3E-J	BEARING	2	€ 49,20
5	V450-90P-020200A	EXCITER SHAFT	1	€ 117,96
6	V450-CS.RG40	EXTERNAL CIRCLIP	2	€ 0,70
7	V450-90P-020300	COVER	1	€ 26,75
8	V450-W03-50x30x12	OIL SEAL	1	€ 6,10
9	V450-90P-031900	EXCITER PULLEY	1	€ -
10	V450-80-0303	PULLEY WASHER	1	€ -
11	V450-90B-010800	VENT SCREW	1	€ 2,85
12	V450-HSPG.W10-DIN-1	SPRING WASHER,TANG ENDS	7	€ 0,30
13	V450-FN.W8-DIN-1	WASHER	12	€ 0,30
14	V450-HSPG.W8-DIN-1	SPRING WASHER,TANG ENDS	22	€ 0,30
15	V450-FN.B-M8x30-8.8-DIN-1	BOLT	14	€ 0,40
16	V450-90P-020500	COVER GUARD	1	€ 20,20
17	V450-GB97.1-M14	CUPRUM WASHER	1	€ 0,90
18	V450-HHOS.B-M14x1.5	HEXAGON HEAD PLUG	1	€ 1,90
19	V450-90B-030100	SHOCK ABSORBER	4	€ 47,35
20	V450-90C-022100	ENGINE BASE	1	€ -
21	V450-FN.W12-DIN-1	WASHER	8	€ 1,30
22	V450-IN.N-M12-DIN-1	LOCK NUT	4	€ 0,50
23	V450-FN.N-M10-DIN-1	NUT	1	€ 0,35
24	V450-FN.B-M10x50-8.8-DIN-1	BOLT	1	€ 0,45
25	V450-60-060200	BOLT	1	€ 7,85
26	V450-90P-031000	FIX ENGINE BOLT	1	€ 11,75
27	V450-W05-GX160H1-SX	ENGINE	1	€ -
28	V450-WOD.W8-GB-1	WASHER	6	€ 0,30
29	V450-IN.N-M8-DIN-1	LOCK NUT	4	€ 0,35
30	V450-Key.C-5x5x32	KEY	1	€ 8,65
31	V450-60W-060100	INNER BELT GUARD	1	€ 88,05
32	V450-80-0500A	CENTRIFUGAL CLUTCH	1	€ 97,68
33	V450-W01-6006ZZ-G	BEARING	1	€ 17,35
34	V450-CS.RG30	EXTERNAL CIRCLIP	1	€ 0,45
35	V450-90P-031800	CLUTCH PULLEY	1	€ 73,56
36	V450-CH.RG55	INTERNAL CIRCLIP	1	€ 3,30
37	V450-90C-010700	WASHE	1	€ -
38	V450-90C-010900	WASHER	1	€ -
39	V450-HSF.S-M8x30-8.8-DIN-1	SOCKET COUNTERSUNK HEAD SCREW (内六角)	1	€ 0,60
40	V450-FN.W8-DIN-1	WASHER	8	€ 0,30
41	V450-FN.W10-DIN-1	WASHER	6	€ 0,30

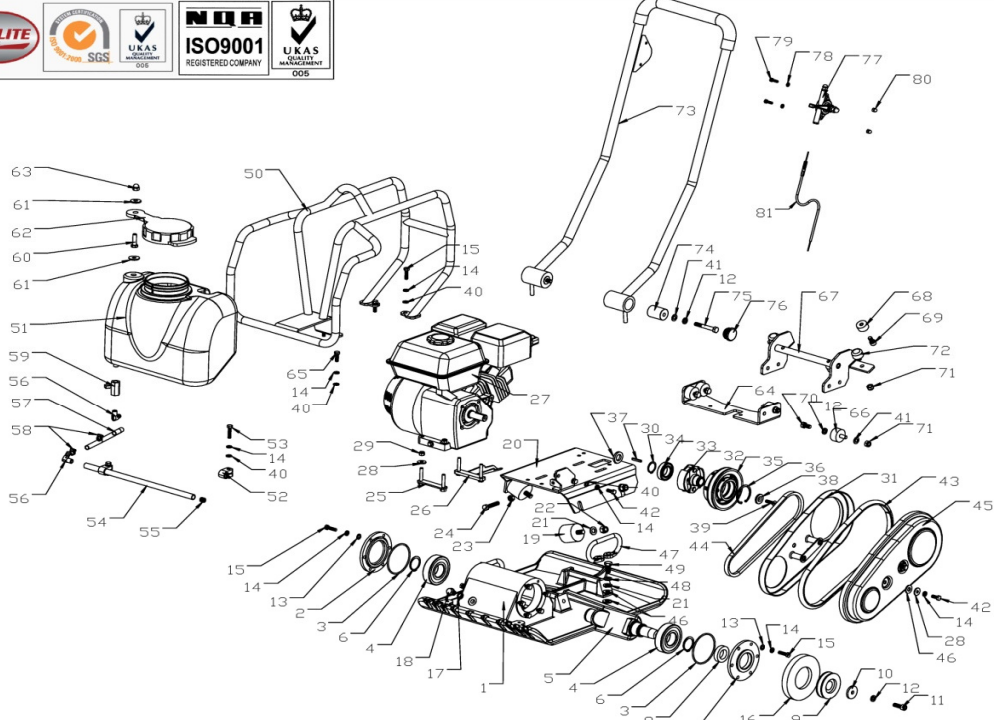
## V450-COMBI MAIN FRAME ASSY.

NO.	PART NO.	PART DESCRIPTION	QTY	Unit Price (EUR) 2018
42	V450-FN.B-M8x20-8.8-DIN-1	BOLT	4	€ 0,30
43	V450-60W-060300	SEAL	1	€ 28,50
44	V450-W02-A32	V-BELT	1	€ -
45	V450-60W-060200	OUTER BELT GUARD	1	€ 69,80
46	V450-90P-010600	RUBBER WASHER	10	€ 4,35
47	V450-90P-010100	HANDLE	2	€ 41,85
48	V450-HSPG.W12-DIN-1	SPRING WASHER,TANG ENDS	4	€ 0,30
49	V450-FN.B-M12x25-8.8-DIN-1	BOLT	4	€ 0,45
50	V450-90C-040100	WATER TANK FRAME	1	€ -
51	V450-90P-070000A	WATER TANK	1	€ 125,08
52	V450-90P-010901	HOOP	2	€ 18,80
53	V450-FN.B-M8x35-8.8-DIN-1	BOLT	2	€ 0,35
54	V450-90C-010800	SPRINKLING PIPE	1	€ -
55	V450-HSHOS.B-ZG1-4	HEXAGONAL SOCKET HEAD PLUG	1	€ 1,45
56	V450-CPT-BT-1 / 4-10-90°	HOSE NIPPLE	2	€ 2,50
57	V450-60W-010700	HOSE	1	€ 6,00
58	V450-90P-070006	HOSE CLAMP	2	€ 2,30
59	V450-QF-1 / 4-NI	VALVE	1	€ 25,60
60	V450-FN.B-M10x35-8.8-DIN-1	BOLT	1	€ 0,45
61	V450-WOD.W10-GB-1	WASHER	2	€ 0,40
62	V450-650-070200	WATER TANK CAP	1	€ 70,96
63	V450-HC.N-M10-DIN-1	CAP NUT	1	€ 1,25
64	V450-90C-040200	FIXED PLATE	1	€ -
65	V450-FN.B-M8x25-8.8-DIN-1	BOLT	2	€ 0,30
66	V450-V-400-030302	SHOCK ABSORBER	4	€ 37,90
67	V450-V-400-020200	HANDLE FRAME	1	€ 50,40
68	V450-V-400-030307	NYLON BLOCK	2	€ 53,95
69	V450-HS.B-M10x20-8.8-GB-1	SCREW	2	€ 6,00
70	V450-FN.B-M10x20-8.8-DIN-1	BOLT	4	€ 0,30
71	V450-IN.N-M10-DIN-1	LOCK NUT	6	€ 0,40
72	V450-80-0408	CUSHION	2	€ 15,15
73	V450-V-400-040400	HANDRAIL	1	€ 122,00
74	V450-V-400-030303	PIN	2	€ 18,80
75	V450-FN.B-M10x70-8.8HALF-DIN-2	BOLT	2	€ 1,95
76	V450-947-99992	ESI PITCH INSERT	2	€ 6,75
77	V450-RAM70ND-010018	THROTTLE LEVER ASSY	1	€ 103,92
78	V450-HSPG.W6-DIN-2	SPRING WASHER,TANG ENDS	2	€ 0,35
79	V450-FN.B-M6x20-8.8-DIN-2	BOLT	2	€ 0,35
80	V450-HC.N-M6-DIN-2	CAP NUT	2	€ 0,35
81	V450-W06-S04-L800x1000	THROTTLE CABLE	1	€ 49,44

# V450-COMBI MAIN FRAME ASSY.

NO.	PART NO.	PART DESCRIPTION	QTY	Unit Price (EUR) 2018
-----	----------	------------------	-----	-----------------------



Drawn	WLJ	Model	V450	Drawing No.	V450-00
Checked		Description	VIBRATORY COMPACTORS		
Approved		Date	2016. 12. 05		