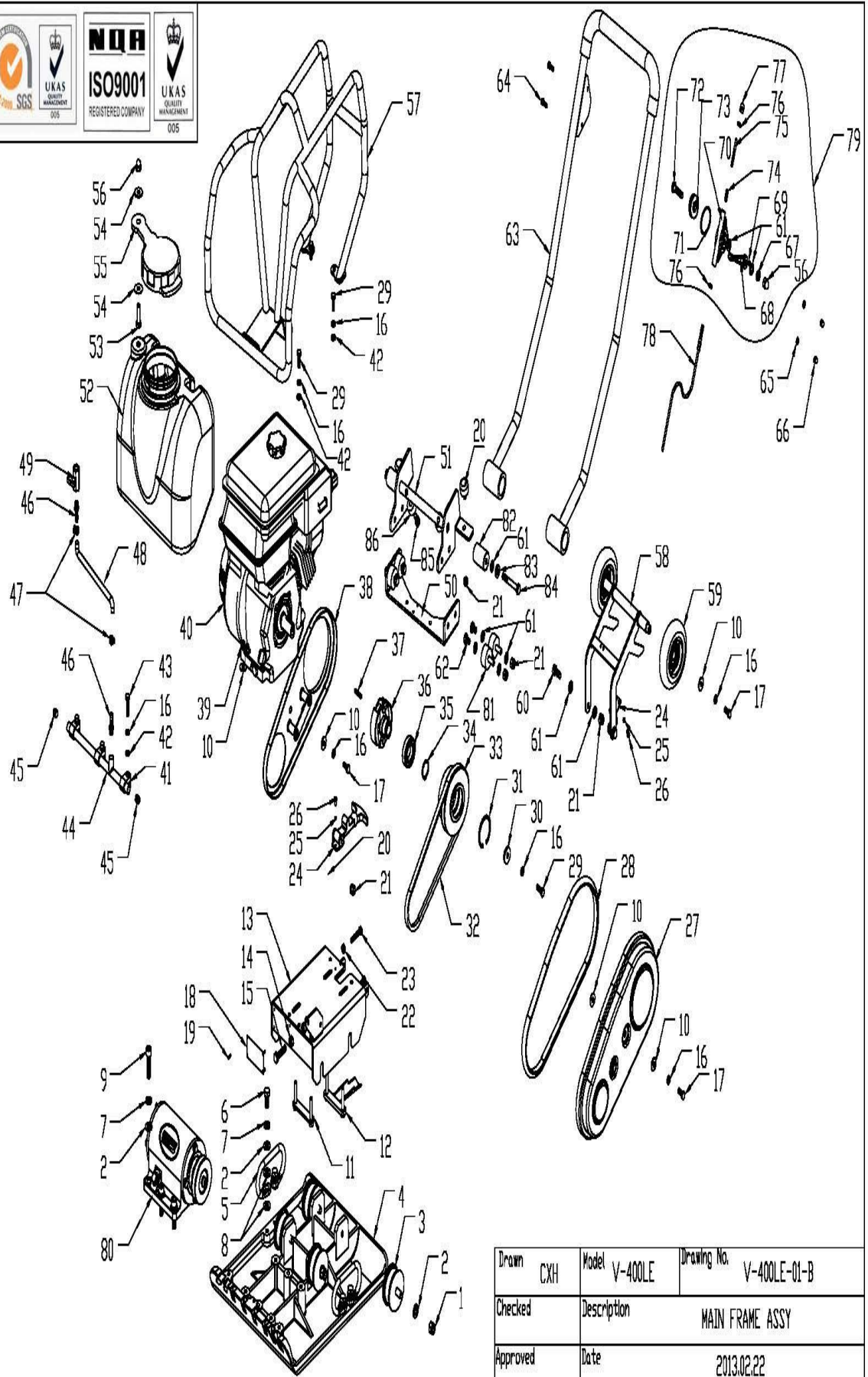


V-400LE-01 MAIN FRAME ASSY.

NO.	PART NO.	PART DESCRIPTION.	QTY	UNIT PRICE EURO & USD 2015
01-1	V-400-IN.N-M12-DIN-1	LOCK NUT	6	0,37
01-2	V-400-FN.W12-DIN-1	WASHER	16	0,18
01-3	V-400-60III-060100	CUSHION	4	23,74
01-4	V-400-60W-010100	BASE PLATE	1	298,60
01-5	V-400-90P-010100	HANDLE	2	9,11
01-6	V-400-FN.B-M12x25-8.8-DIN-1	BOLT	4	2,35
01-7	V-400-HSPG.W12-DIN-1	SPRING WASHER,TANG ENDS	10	0,18
01-8	V-400-90P-010600	RUBBER WASHER	8	0,41
01-9	V-400-HS.B-M12x45-12.9-DIN-1	SCREW	6	0,87
01-10	V-400-WOD.W8-GB-1	WASHER	12	0,18
01-11	V-400-60-060200	BOLT	1	1,79
01-12	V-400-90P-031000	FIX ENGINE BOLT	1	14,31
01-13	V-400-60W-020100	ENGINE BASE	1	90,87
01-14	V-400-FN.N-M10-DIN-1	NUT	1	0,23
01-15	V-400-FN.B-M10x45-8.8-DIN-1	BOLT	1	0,18
01-16	V-400-HSPG.W8-DIN-1	SPRING WASHER,TANG ENDS	22	0,18
01-17	V-400-FN.B-M8x20-8.8-DIN-1	BOLT	6	0,18
01-18	V-400-80-0409	NAMEPLATE	1	1,75
01-19	V-400-K.RVT-3.2x11	RIVET	4	0,23
01-20	V-400-80-0408	CUSHION	2	11,59
01-21	V-400-IN.N-M10-DIN-1	LOCK NUT	8	0,28
01-22	V-400-FN.N-M8-DIN-1	NUT	2	0,18
01-23	V-400-FN.B-M8x45-8.8-DIN-1	BOLT	2	0,28
01-24	V-400-500S-010505	BUCKLE	1	20,79
01-25	V-400-SPG.W5-DIN-1	SPRING WASHER	4	0,18
01-26	V-400-FN.B-M5x15-8.8-DIN-1	BOLT	4	0,28
01-27	V-400-60W-060200	OUTER BELT GUARD	1	50,20
01-28	V-400-60W-060300	SEAL	1	19,04
01-29	V-400-FN.B-M8x30-8.8-DIN-1	BOLT	5	0,23
01-30	V-400-80-0319	WASHER	1	1,33
01-31	V-400-CH.RG55	INTERNAL CIRCLIP	1	2,53
01-32	V-400-W02-A30	V-BELT	1	29,66
01-33	V-400-90P-031800	CLUTCH PULLEY	1	52,99
01-34	V-400-CS.RG30	EXTERNAL CIRCLIP	1	0,28
01-35	V-400-W01-6006ZZ-J	BEARING	1	12,74
01-36	V-400-80-0500A	CENTRIFUGAL CLUTCH	1	63,72
01-37	V-400-Key.C-5x5x32	KEY	1	0,18
01-38	V-400-60W-060100	INNER BELT GUARD	1	50,71
01-39	V-400-IN.N-M8-DIN-1	LOCK NUT	4	0,18
01-40	V-400-W05-GX160UT2-SWX2	ENGINE	1	
01-41	V-400-90P-010901	HOOP	3	31,74
01-42	V-400-FN.W8-DIN-1	WASHER	15	0,18
01-43	V-400-FN.B-M8x35-8.8-DIN-1	BOLT	5	0,15
01-44	V-400-60W-010800	SPRINKLING PIPE	1	25,25
01-45	V-400-HSHOS.B-ZG1-4	HEXAGONAL SOCKET HEAD PLUG	2	1,10

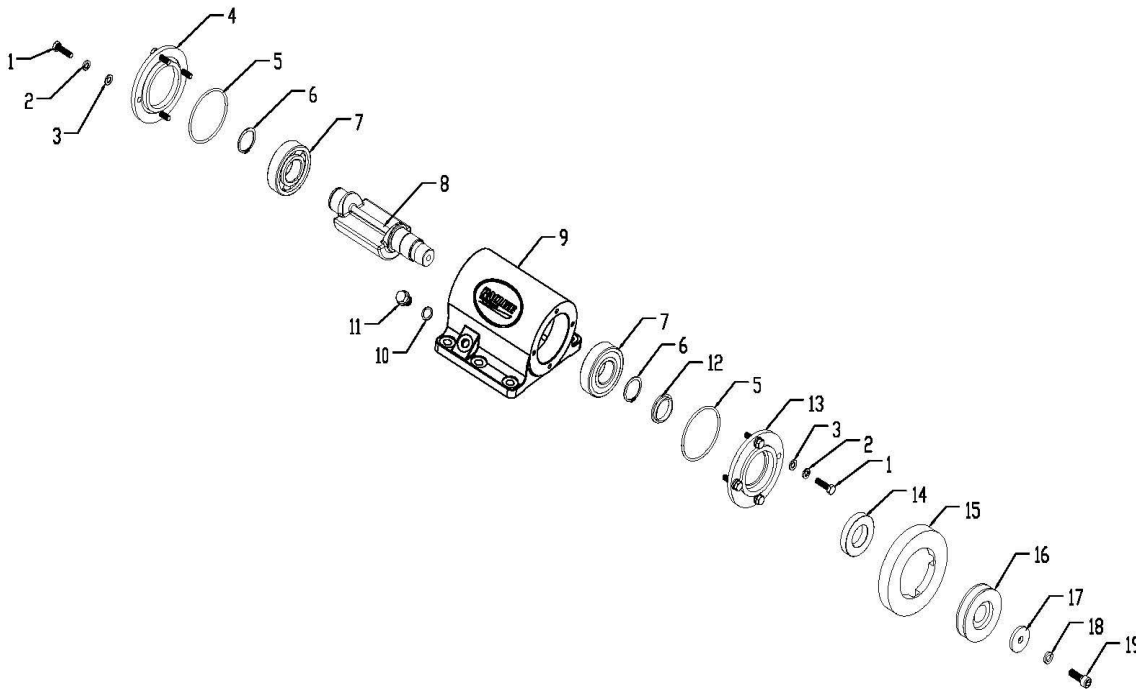
01-46	V-400-CPT-BT-1 / 4-10	HOSE NIPPLE	2	6,39
01-47	V-400-90P-070006	HOSE CLAMP	2	0,51
01-48	V-400-60W-010700	HOSE	1	0,97
01-49	V-400-QF-1 / 4-NI	VALVE	1	0,55
01-50	V-400-030301	FIXATION	1	20,50
01-51	V-400-020200	HANDRAIL MOUNTING BRACKET	1	38,72
01-52	V-400-90P-070000A	WATER TANK	1	88,49
01-53	V-400-FN.B-M10x35-8.8-DIN-1	BOLT	1	0,18
01-54	V-400-WOD.W10-GB-1	WASHER	2	0,23
01-55	V-400-650-070200	WATER TANK CAP	1	32,43
01-56	V-400-HC.N-M10-DIN-1	CAP NUT	1	0,23
01-57	V-400-010100	WATER TANK FRAME	1	76,87
01-58	V-400-60W-040100	WHEEL FRAME	1	54,23
01-59	V-400-60W-040200	WHEEL	2	15,09
01-60	V-400-FN.B-M10x25-8.8-DIN-1	BOLT	2	0,14
01-61	V-400-FN.W10-DIN-1	WASHER	14	0,18
01-62	V-400-030306	BOLT	4	0,09
01-63	V-400-040400	HANDRAIL	1	87,84
01-64	V-400-FN.B-M6x20-8.8-DIN-2	BOLT	2	0,18
01-65	V-400CPT75-HSPG.W6-DIN-2	SPRING WASHER,TANG ENDS	2	0,18
01-66	V-400-HC.N-M6-DIN-2	CAP NUT	2	0,07
01-67	V-400-FNL.N-M10-DIN-2	HEXAGON THIN NUT	1	0,23
01-68	V-400-70ND-060000	THROTTLE LEVER	1	22,49
01-69	V-400-FHSS.S-M6x8-GB-3	SOCKET SCREW WITH FLAT HEAD	1	0,18
01-70	V-400-70ND-060001	THROTTLE BODY	1	29,39
01-71	V-400-W04-45x3	O-RING	1	4,32
01-72	V-400-70ND-060003	BOLT	1	11,96
01-73	V-400-70ND-060002	THROTTLE GEAR	1	23,97
01-74	V-400-FHSS.S-M8x20-GB-3	SOCKET SCREW WITH FLAT HEAD	1	0,18
01-75	V-400-70ND-060004	SLIDER	1	7,04
01-76	V-400-FNL.N-M8-DIN-2	HEXAGON THIN NUT	2	0,14
01-77	V-400-HC.N-M8-DIN-2	CAP NUT	1	0,18
01-78	V-400-W06-S04-L800x1000	THROTTLE CABLE	1	32,26
01-79	V-400-70ND-010018	THROTTLE LEVER ASSY	1	77,49
01-80	V-400-02	EXCITER HOUSING ASSY	1	409,11
01-81	V-400-030302	RUBBER MOUNT	4	29,12
01-82	V-400-030303	PIN	2	14,44
01-83	V-400-HSPG.W10-DIN-1	SPRING WASHER,TANG ENDS	2	0,18
01-84	V-400-FN.B-M10x70-8.8HALF-DIN-1	BOLT	2	0,28
01-85	V-400-HS.B-M10x20-8.8-GB-1	SOCKET HEAD CAP SCREW	2	4,60
01-86	V-400-030307	NYLON PAD	2	-



Drawn	CXH	Model	V-400LE	Drawing No.	V-400LE-01-B
Checked		Description	MAIN FRAME ASSY		
Approved		Date	2013.02.22		

V-400LE-02 EXCITER HOUSING ASSY.

NO.	PART NO.	PART DESCRIPTION	QTY	UNIT PRICE EURO & USD 2015
02-1	V-400-FN.B-M8x30-8.8-DIN-1	BOLT	12	0,23
02-2	V-400-HSPG.W8-DIN-1	SPRING WASHER,TANG ENDS	12	0,18
02-3	V-400-FN.W8-DIN-2	WASHER	12	0,18
02-4	V-400-60-010400	CLOSE COVER	1	13,57
02-5	V-400-W04-80x3.5	O RING	2	4,69
02-6	V-400-CS.RG35	EXTERNAL CIRCLIP	2	0,55
02-7	V-400-W01-6307Z-J	BEARING	2	37,81
02-8	V-400-60W-010200E	EXCITER SHAFT	1	79,66
02-9	V-400-60-010200	EXCITER HOUSING	1	243,77
02-10	V-400-GB97.1-M14	CUPRUM WASHER	1	0,41
02-11	V-400-HHOS.B-M14x1.5	HEXAGON HEAD PLUG	1	1,75
02-12	V-400-60-010700	BUSH	1	2,90
02-13	V-400-60-010300	COVER	1	29,99
02-14	V-400-W03-65x35x12	OIL SEAL	1	6,90
02-15	V-400-60III-010500	COVER GUARD	1	20,70
02-16	V-400-40-060200	EXCITER PULLEY	1	33,90
02-17	V-400-60-060301	WASHER	1	1,29
02-18	V-400-HSPG.W10-DIN-1	SPRING WASHER,TANG ENDS	1	0,18
02-19	V-400-90B-010800	VENT SCREW	1	0,64



Drawn	CXH	Model	V-400LE	Drawing No.	V-400LE-02
Checked		Description	EXCITER HOUSING ASSY		
Approved		Date	2013.02.14		