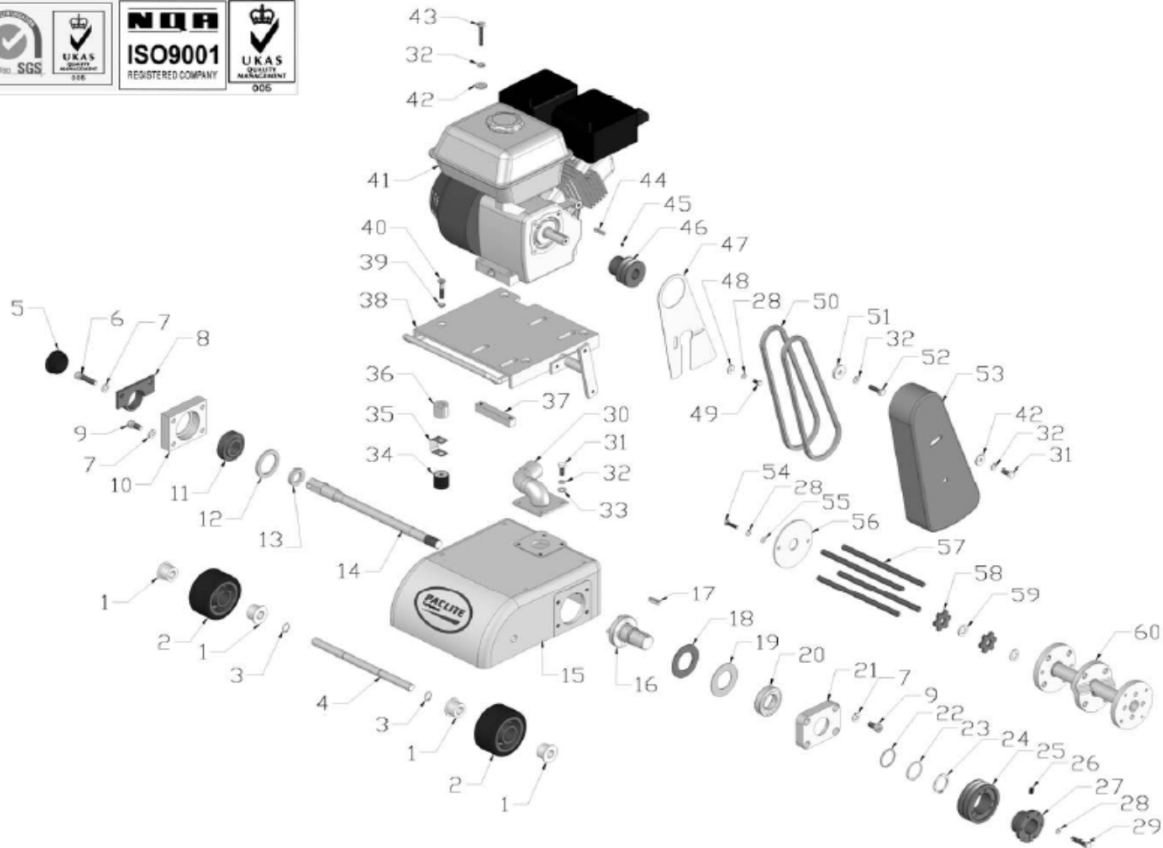


Drawn	L. C	Model	SPM	Drawing No.	SPM-01
Checked		Description		MAIN FRAME ASSY	
Approved		Date		2010. 4. 15	

SPM-01 MAIN FRAME ASSY.

NO.	PART NO.	PART DESCRIPTION	QTY	UNIT PRICE (EUR)
01-1	SPM-010300	NYLON BUSH	4	€ 15,04
01-2	SPM-000020	FRONT WHEEL	2	€ 47,40
01-3	SPM-CS.RG16	EXTERNAL CIRCLIP	2	€ 0,20
01-4	SPM-010200	FRONT WHEEL AXLE	1	€ 20,80
01-5	SPM-000003	END CAP	1	€ 3,20
01-6	SPM-HS.B-M10x40-8.8-GB-1	SCREW	2	€ 0,24
01-7	SPM-HSPG.W10-DIN-1	SPRING WASHER,TANG ENDS	8	€ 0,16
01-8	SPM-031100	PROTECTOR BASE	1	€ 21,44
01-9	SPM-HS.B-M10x20-8.8-GB-1	SCREW	6	€ 0,13
01-10	SPM-030900	BEARING HOUSING (R)	1	€ 56,49
01-11	SPM-W01-1AH06-J-NTN	BEARING	1	€ 162,90
01-12	SPM-031200	FELT WASHER	1	€ 6,12
01-13	SPM-031300	FELT WASHER	1	€ 6,12
01-14	SPM-030800	DRUM SHAFT	1	€ 42,60
01-15	SPM-010100P	MAIN FRAME	1	€ 193,93
01-16	SPM-030300	DRIVE SPINDL	1	€ 61,50
01-17	SPM-Key.A-8x7x28	KEY	1	€ 3,20
01-18	SPM-030500	WASHER	1	€ 15,04
01-19	SPM-030400	FELT WASHER	1	€ 5,20

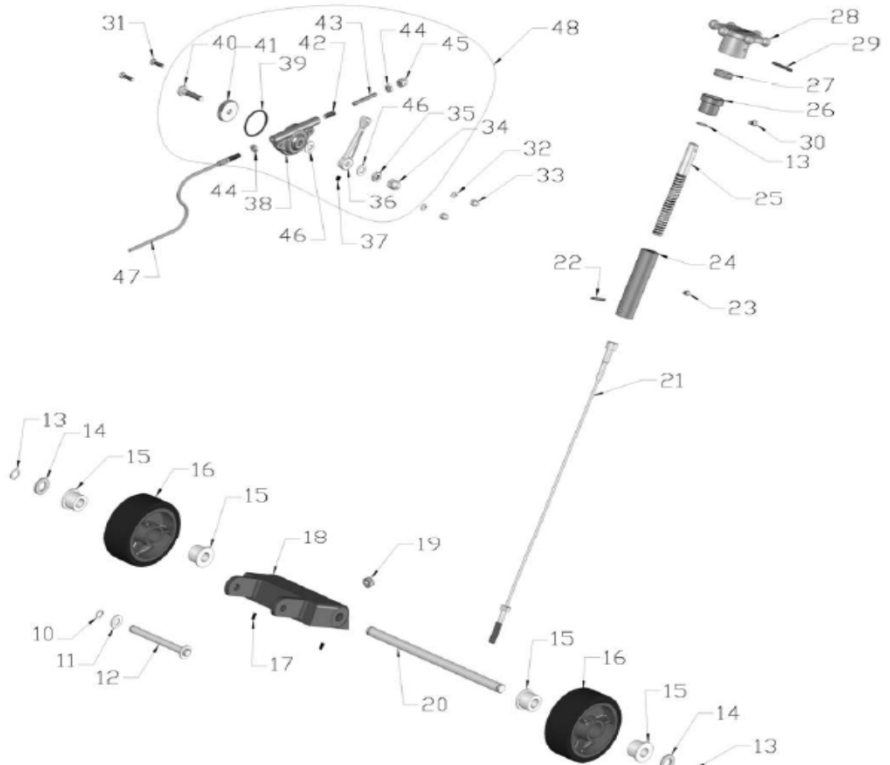
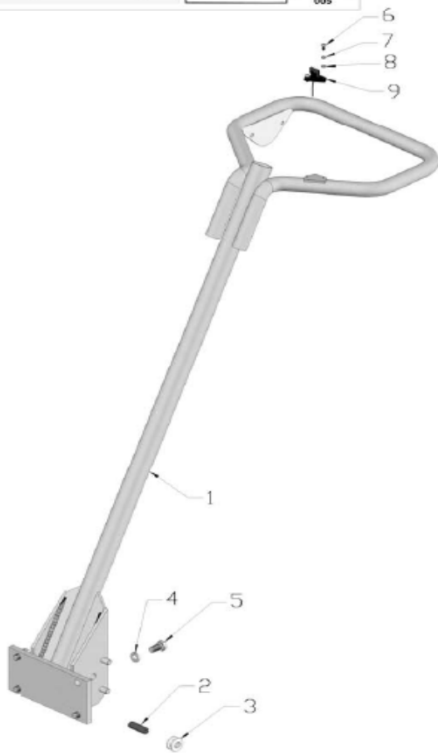
01-20	SPM-W01-6007ZZ-J	BEARING	1	€ 42,44
01-21	SPM-030200	BEARING HOUSING (L)	1	€ 59,19
01-22	SPM-030700	FELR WASHER	1	€ 2,04
01-23	SPM-030600	WASHER	1	€ 12,28
01-24	SPM-CS.RG35	EXTERNAL CIRCLIP	1	€ 0,40
01-25	SPM-020300	PULLEY	1	€ 41,56
01-26	SPM-FHSS.S-M8x12	GRUB SCREW	1	€ 0,20
01-27	SPM-030100	HUB, PULLEY	1	€ 43,20
01-28	SPM-HSPG.W6-DIN-1	SPRING WASHER,TANG ENDS	7	€ 0,16
01-29	SPM-FN.B-M8x40-8.8-DIN-1	BOLT	3	€ 0,24
01-30	SPM-010400	VACUUM PORT	1	€ 36,48
01-31	SPM-FN.B-M8x20-8.8-DIN-1	BOLT	6	€ 0,20
01-32	SPM-HSPG.W8-DIN-1	SPRING WASHER,TANG ENDS	11	€ 0,16
01-33	SPM-FN.W8-DIN-1	WASHER	4	€ 0,16
01-34	SPM-040100	SHOCK ABSORBER	4	€ 11,16
01-35	SPM-040500	COPPER STRIP	1	€ 7,12
01-36	SPM-040200	WASHER	4	€ 6,40
01-37	SPM-040300	MOUNT BRACKET, ENGINE	2	€ 9,60
01-38	SPM-040400	ENGINE BASE	1	€ 66,00
01-39	SPM-CETL.W8	COUNTERSUNK EXTERNAL TOOTHED LOCK WASHER	4	€ 0,20
01-40	SPM-HSF.S-M8x40	SOCKET COUNTERSUNK HEAD SCREW	4	€ 0,48
01-41	SPM-W05-EX17	ENGINE	1	
01-42	SPM-WOD.W8-GB-1	WASHER	6	€ 0,16



Drawn	L. C	Model	SPM	Drawing No.	SPM-01
Checked		Description			MAIN FRAME ASSY
Approved		Date			2010. 4. 15

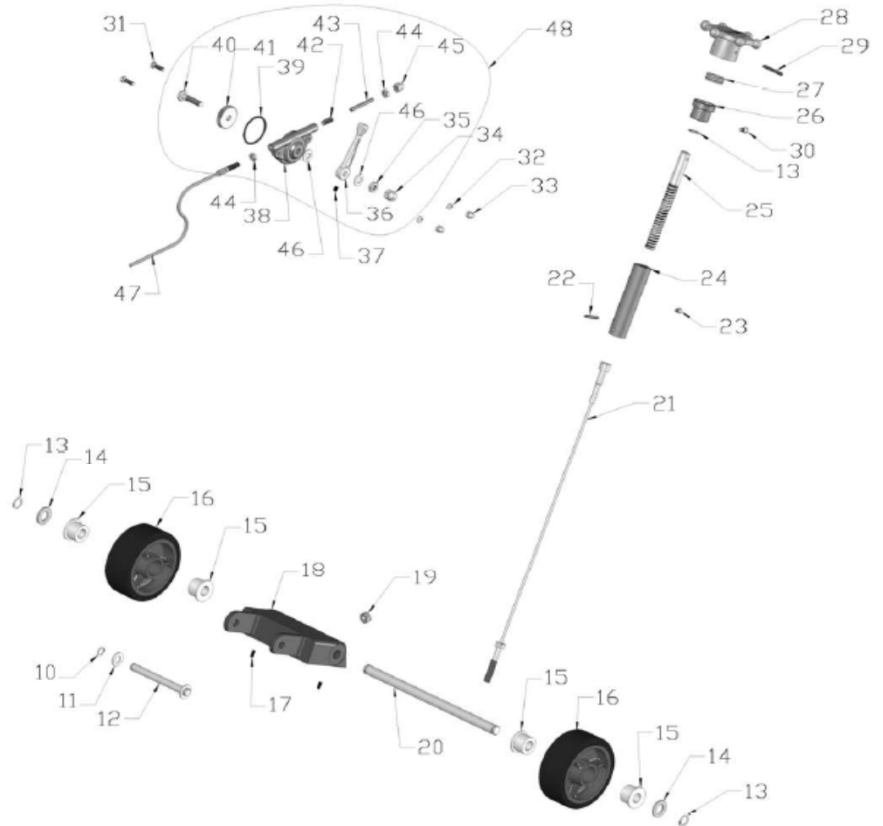
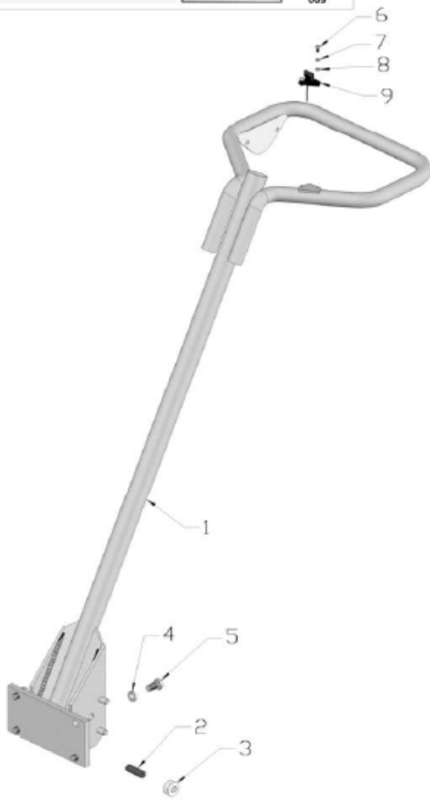
NO.	PART NO.	PART DESCRIPTION	QTY	UNIT PRICE (EUR)
01-43	SPM-FN.B-M8x45-8.8-DIN-1	BOLT	4	€ 0,24
01-44	SPM-Key.B-5x5x28	KEY	1	€ 3,20
01-45	SPM-ConeHSS-M6x8	SOCKET HEAD SCREW	1	€ 0,20
01-46	SPM-020200	P.T.O PULLEY	1	€ 47,68
01-47	SPM-020101	INNER BELT GUARD	1	€ 11,88
01-48	SPM-WOD.W6-GB-1	WASHER	2	€ 1,28
01-49	SPM-FN.B-M6x12-8.8-DIN-1	BOLT	2	€ 0,16
01-50	SPM-W02-SPZ722	V-BELT	2	€ 9,52
01-51	SPM-CPT80-0319	WASHER	1	€ 1,60
01-52	SPM-FN.B-M8x30-8.8-DIN-1	BOLT	1	€ 0,07
01-53	SPM-020100	OUTTER BELT GUARD	1	€ 24,08
01-54	SPM-FN.B-M6x25-8.8-DIN-1	BOLT	2	€ 0,20
01-55	SPM-FN.W6-DIN-1	WASHER	2	€ 0,16
01-56	SPM-070300	WASHER	1	€ 8,04
01-57	SPM-070200	CUTTER SHAFT	4	€ 22,12
01-58	SPM-070400	TUNGSTEN CARBIDE CUTTER	76	€ 6,36
01-59	SPM-FN.W12-DIN-1	WASHER	88	€ 0,16
01-60	SPM-070100	CUTTER DRUM	1	€ 194,43

SPM-02 OPERATION HANDLE ASSY



Drawn	L. C	Model	SPM	Drawing No.	SPM-02
Checked		Description			OPERATION HANDLE ASSY
Approved		Date			2010. 4. 15

NO.	PART NO.	PART DESCRIPTION	QTY	UNIT PRICE (EUR)
02-1	SPM-050000	OPERTION HANDLE	1	€ 163,29
02-2	SPM-SC.PIN-12x35	SPRING PIN	1	€ 1,92
02-3	SPM-060400	PULLEY, DEPTH CONTROL CABLE	1	€ 12,68
02-4	SPM-HSPG.W10-DIN-1	SPRING WASHER,TANG ENDS	4	€ 0,16
02-5	SPM-FN.B-M10x20-8.8-DIN-1	BOLT	4	€ 0,32
02-6	SPM-PAN.S-M4x10-GB-2	PAN HEAD SCREW	2	€ 0,16
02-7	SPM-SPG.W4-DIN-1	SPRING WASHER	2	€ 0,16
02-8	SPM-FN.W4-DIN-1	WASHER	2	€ 0,03
02-9	SPM-066-00004-71	SCRAM SWITCH	1	€ 36,24
02-10	SPM-CS.RG12	EXTERNAL CIRCLIP	2	€ 0,32
02-11	SPM-FN.W12-DIN-1	WASHER	2	€ 0,16
02-12	SPM-060300	SHAFT, REAR WHEEL FORK	1	€ 30,72
02-13	SPM-CS.RG16	EXTERNAL CIRCLIP	3	€ 0,20
02-14	SPM-FN.W16-DIN-1	WASHER	2	€ 0,16
02-15	SPM-010300	NYLON BUSH	4	€ 15,52
02-16	SPM-000010	REAR WHEEL	2	€ 74,55
02-17	SPM-FHSS.S-M5x12	SOCKET HEAD SCREW	2	€ 0,32
02-18	SPM-060100	REAR WHEEL FORK	1	€ 65,28
02-19	SPM-IN.N-M10-DIN-1	LOCK NUT	1	€ 0,24
02-20	SPM-060200	REAR WHEEL AXLE	1	€ 36,00
02-21	SPM-000007	DEPTH CONTROL CABLE ASSY	1	€ 28,64
02-22	SPM-SC.PIN-5x30	SPRING PIN	1	€ 0,28
02-23	SPM-HS.B-M5x6-8.8-GB-1	SCREW	1	€ 0,32
02-24	SPM-050600	SLIDE BUSH	1	€ 25,20
02-25	SPM-100G-010003	ADJUSTING SCREW	1	€ 25,52
02-26	SPM-060700	BEARING HOUSING	1	€ 16,24
02-27	SPM-W01-51103-J	BEARING	1	€ 11,64
02-28	SPM-100G-010008P	PITCH CONTROL KNOB	1	€ 37,26
02-29	SPM-SC.PIN-5x40	SPRING PIN	1	€ 0,18
02-30	SPM-HS.B-M6x8-8.8-GB-1	SCREW	1	€ 0,16
02-31	SPM-FN.B-M6x20-8.8-DIN-2	BOLT	2	€ 0,16
02-32	SPM-HSPG.W6-DIN-2	SPRING WASHER,TANG ENDS	2	€ 0,16
02-33	SPM-HC.N-M6-DIN-2	CAP NUT	2	€ 0,20
02-34	SPM-HC.N-M10-DIN-2	CAP NUT	1	€ 4,00
02-35	SPM-FNL.N-M10-DIN-2	HEXAGON THIN NUT	1	€ 0,20
02-36	SPM-70ND-060000	THROTTLE LEVER	1	€ 19,56
02-37	SPM-FHSS.S-M6x8-GB-3	SOCKET SCREW WITH FLAT HEAD	1	€ 0,32
02-38	SPM-70ND-060001	THROTTLE BODY	1	€ 25,28
02-39	SPM-W04-45x3	O-RING	1	€ 6,12
02-40	SPM-70ND-060003	BOLT	1	€ 9,96
02-41	SPM-70ND-060002	THROTTLE GEAR	1	€ 21,00
02-42	SPM-FHSS.S-M8x20-GB-3	SOCKET SCREW WITH FLAT HEAD	1	€ 2,20



Drawn	L. C	Model	SPM	Drawing No.	SPM-02
Checked		Description	OPERATION HANDLE ASSY		
Approved		Date	2010. 4. 15		

NO.	PART NO.	PART DESCRIPTION	QTY	UNIT PRICE (EUR)
02-43	SPM-70ND-060004	SLIDER	1	€ 6,08
02-44	SPM-FNL.N-M8-DIN-2	HEXAGON THIN NUT	2	€ 0,16
02-45	SPM-HC.N-M8-DIN-2	CAP NUT	1	€ 0,24
02-46	SPM-FN.W10-DIN-2	WASHER	2	€ 0,16
02-47	SPM-W06-S04-L1100x1300	THROTTLE CABLE	1	€ 48,76
02-48	SPM-70ND-010018	THROTTLE LEVER ASSY	1	€ 67,77

