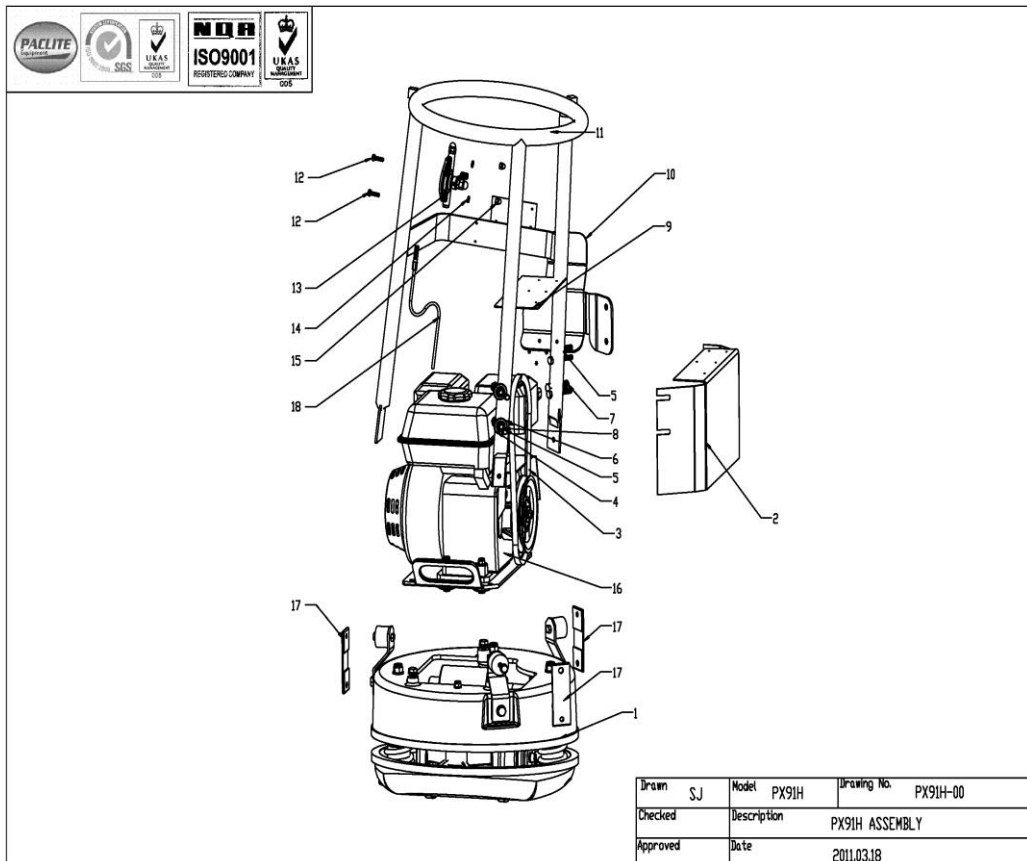


ROUND BASE COMPACTOR PX91H

DRAWING NO: PX91H-00

PX91H ASSEMBLY

NO.	PART NO.	PART DESCRIPTION	QTY	UNIT PRICE EURO & USD 2015
00-1	PX91H-01	ENGINE BASE ASSEMBLY	1	1 312,84
00-2	PX91H-24-A	SAFTEY COVER	1	30,77
00-3	PX91H-W02-B35	V-BELT	2	13,62
00-4	PX91H-WOD.W10-GB-1	WASHER	2	0,23
00-5	PX91H-FN.W10-DIN-1	WASHER	2	0,18
00-6	PX91H-FNL.N-M10-DIN-1	NUT	4	0,23
00-7	PX91H-FN.B-M10x45-8.8-DIN-1	BOLT	2	0,37
00-8	PX91H-FN.B-M10x40-8.8-DIN-1	BOLT	2	0,32
00-9	PX91H-66-A	SAFETY COVER SHEET	1	36,16
00-10	PX91H-39-A	SIDE SAFETY COVER	1	36,57
00-11	PX91H-18-B	SAFTEY BAR	1	122,65
00-12	PX91H-FN.B-M6x20-8.8-DIN-1	BOLT	2	0,18
00-13	PX91H-RAM70ND-010018	THROTTLE LEVER	1	22,68
00-14	PX91H-HSPG.W6-DIN-1	WASHER	2	0,18
00-15	PX91H-HC.N-M6-DIN-1	NUT	2	0,09
00-16	PX91H-07-A	ENGINE MOUNT ASSEMBLY	1	1 095,00
00-17	PX91H-15-A	LIMITER	3	1,61
00-18	PX91H-W06-S04-L800x600	THROTTLE CABLE	1	43,44

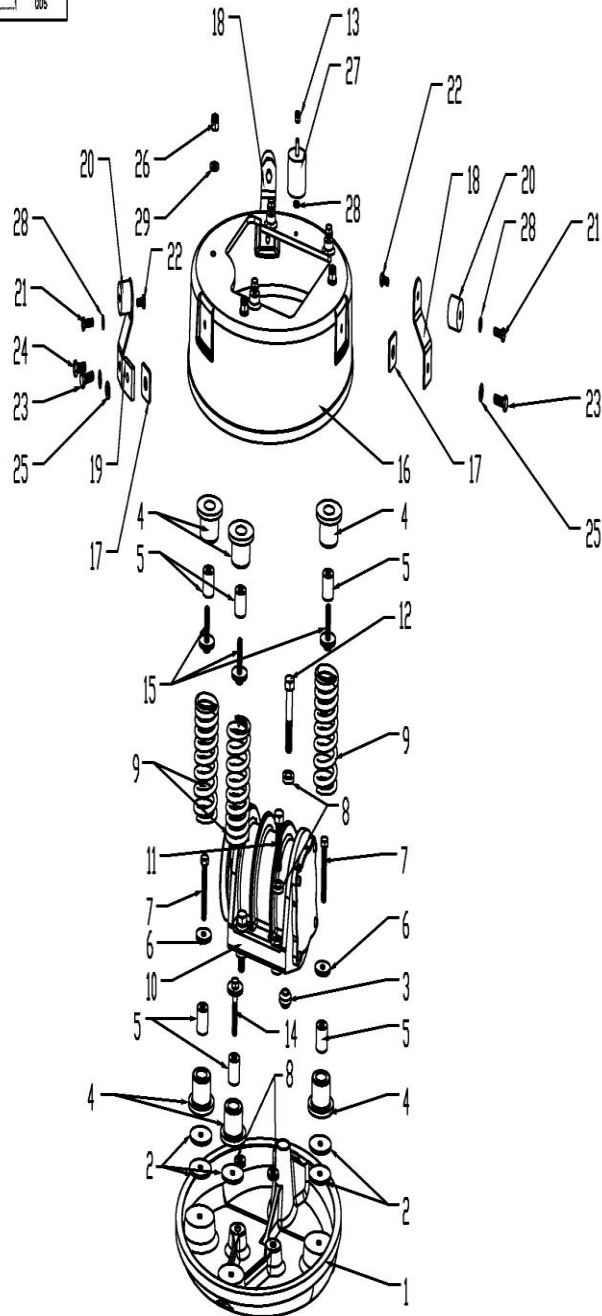


ROUND BASE COMPACTOR PX91H

DRAWING NO: PX91H-01

ENGINE BASE ASSEMBLY

NO.	PART NO.	PART DESCRIPTION	QTY	UNIT PRICE EURO & USD 2015
01-1	PX91H-01-A	BOTTOM PLATE	1	232,27
01-2	PX91H-61-A	BASE PLATE SUPPORT	5	2,53
01-3	PX91H-25-A	EXCITER MOUNT	1	3,54
01-4	PX91H-06-A	BASE PLATE SHOCK MOUNT	6	8,00
01-5	PX91H-28-A	SPRING ROD	6	2,67
01-6	PX91H-62-A	SPRING SUPPORT	3	6,21
01-7	PX91H-ISO 4016 - M12 x 70 x 38-WN	BOLT	2	0,46
01-8	PX91H-26-A	EXCITER SUPPORT	5	1,20
01-9	PX91H-57-A	SPRING	3	18,58
01-10	PX91H-02-A	GEAR BOX ASSEMBLY	1	742,47
01-11	PX91H-FN.B-M16x60-8.8HALF-DIN-1	BOLT	2	1,01
01-12	PX91H-FN.B-M16x80-8.8HALF-DIN-1	BOLT	1	1,06
01-13	PX91H-IN.N-M8-DIN-1	NUT	1	0,18
01-14	PX91H-FN.B-M12x60-8.8-DIN-1	BOLT	1	0,92
01-15	PX91H-47-A	SHOCK MOUNT BOLT ASSEMBLY	1	3,36
01-16	PX91H-01.1-A	ENGINE BASE	1	144,93
01-17	PX91H-22-A	BRACKET PLATE	3	12,33
01-18	PX91H-19-A	BRACKET1	2	20,29
01-19	PX91H-19.1-A	BRACKET2	1	24,47
01-20	PX91H-49-A	BRACKET SHOCK MOUNT	3	5,98
01-21	PX91H-FN.B-M8x25-8.8-DIN-1	BOLT	3	0,23
01-22	PX91H-FN.B-M8x16-8.8-DIN-1	BOLT	3	0,23
01-23	PX91H-FN.B-M10x30-8.8-DIN-1	BOLT	6	0,32
01-24	PX91H-FN.B-M10x15-8.8-DIN-1	BOLT	1	0,23
01-25	PX91H-FN.W10-DIN-1	WASHER	7	0,18
01-26	PX91H-IN.N-M12-DIN-1	NUT	3	0,37
01-27	PX91H-72-A	ENGINE BASE SHOCK MOUNT	1	12,83
01-28	PX91H-FN.W8-DIN-1	WASHER	4	0,18
01-29	PX91H-FN.W12-DIN-1	WASHER	3	0,18



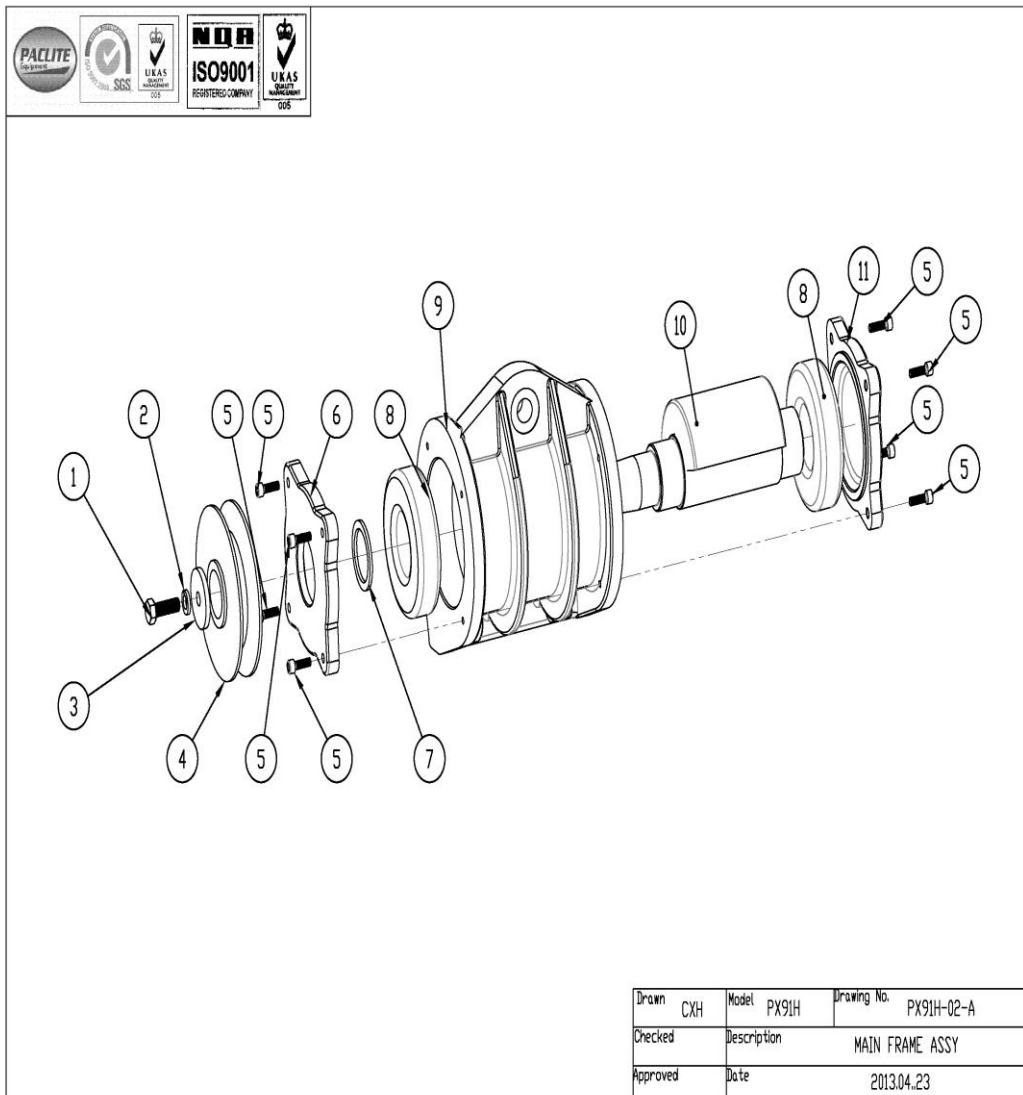
Drawn	SJ	Model	PX91H	Drawing No.	PX91H-01
Checked		Description	ENGINE BASE ASSEMBLY		
Approved		Date	2011.03.18		

ROUND BASE COMPACTOR PX91H

DRAWING NO: PX91H-02-A

GEAR BOX ASSEMBLY

NO.	PART NO.	PART DESCRIPTION	QTY	UNIT PRICE EURO & USD 2015
02-1	PX91H-ISO 4762 M10 X 25 - DIN-1	BOLT	1	0,69
02-2	PX91H-HSPG.W10-DIN-1	LOCK WASHER	1	0,18
02-3	PX91H-79-A	GEARBOX PULLEY WASHER	1	12,28
02-4	PX91H-105-A	GEARBOX PULLEY	1	93,53
02-5	PX91H-HS.B-M6x20-8.8-GB-1	BOLT	8	0,18
02-6	PX91H-04.1-A	BEARING COVER RIGHT	1	126,17
02-7	PX91H-NAK -TC-40*52*8	OIL SEAL	1	5,20
02-8	PX91H-W01-6310Z-C3-J	BALL BEARING	2	134,12
02-9	PX91H-03-B	GEAR BOX	1	149,93
02-10	PX91H-17-A	ECCENTRIC WEIGHT SHAFT	1	82,11
02-11	PX91H-04-A	BEARING COVER LEFT	1	72,48



ROUND BASE COMPACTOR PX91H

DRAWING NO: PX91H-07-A

ENGINE MOUNT ASSEMBLY

NO.	PART NO.	PART DESCRIPTION	QTY	UNIT PRICE EURO & USD 2015
1	PX91H-FN.B-M8x30-8.8-DIN-1	BOLT	1	0,23
2	PX91H-HSPG.W8-DIN-1	LOCK WASHER	3	0,18
3	PX91H-73-A	ENGINE PULLEY WASHER	1	1,56
4	PX91H-CH.RG55	CIRCLIPS FOR HOLES	1	0,69
5	PX91H-W01-6006ZZ-J	BEARING	1	54,41
6	PX91H-106-A	PULLEY	1	97,22
7	PX91H-80-0500B	CLUTCH	1	34,78
8	PX91H-FN.B-M8x45-8.8-DIN-1	BOLT	2	0,28
9	PX91H-FN.W8-DIN-1	WASHER	2	0,09
10	PX91H-30.2-A	CLUTCH COVER ASSEMBLY	1	55,51
11	PX91H-W05-GX160H1-SX	HONDA ENGINE GX160	1	681,38
12	PX91H-IN.N-M8-DIN-1	NUT	4	0,18
13	PX91H-WOD.W8-GB-1	WASHER	4	0,18
14	PX91H-FN.W10-DIN-1	WASHER	1	0,18
15	PX91H-29-A	DRAIN CONNECTOR	1	8,37
16	PX91H-HOOP.D20-45	HOSE PIPE CLAMP	2	12,28
17	PX91H-09-A	HOSE PIPE	1	35,26
18	PX91H-27-A	DRAIN PLUG	1	2,90
19	PX91H-13-A	ENGINE RUBBER SHEET	1	71,55
20	PX91H-HS.B-M4x6-8.8-GB-1	BOLT	1	0,09
21	PX91H-10-A	HOSE PIPE BRACKET	1	0,32
22	PX91H-23-A	ENGINE PLATE	1	106,85
23	PX91H-05-A	ENGINE PLATE SHOCK MOUNT	4	1,89
24	PX91H-21-A	ENGINE SHOCK MOUNT SUPPORT	4	0,97
25	PX91H-FN.B-M8x55-8.8-DIN-2	BOLT	4	0,32

