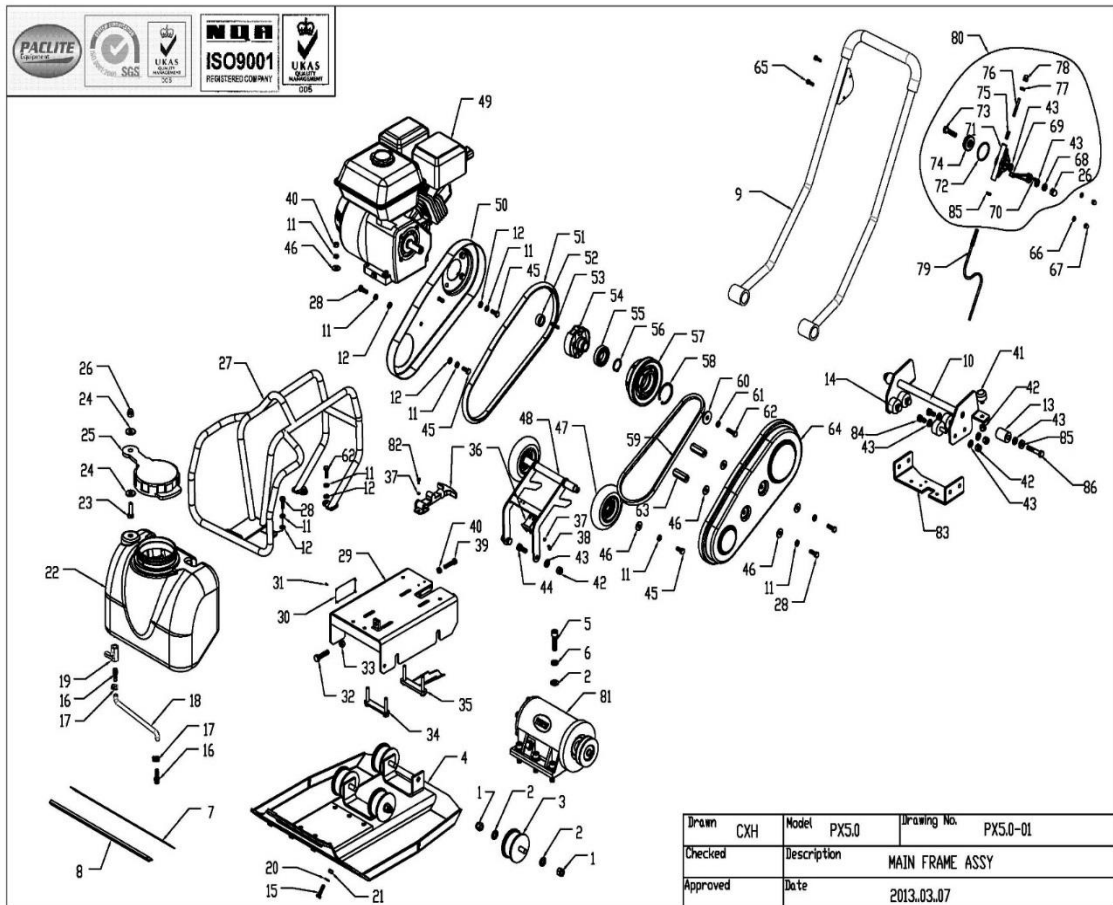


## PX5.0-01 MAIN FRAME ASSY

NO.	PART NO.	PART DESCRIPTION	QTY	INTERNET PRICE
01-1	PX5.0-IN.N-M12-DIN-1	LOCK NUT	8	0,16 €
01-2	PX5.0-FN.W12-DIN-1	WASHER	20	0,16 €
01-3	PX5.0-90P-030800	SHOCK ABSORBER	4	24,20 €
01-4	PX5.0-050500	BASE PLATE	1	140,30 €
01-5	PX5.0-HS.B-M12x40-12.9-DIN-3	BOLT	6	0,28 €
01-6	PX5.0-HSPG.W12-DIN-1	SPRING WASHER,TANG ENDS	6	0,12 €
01-7	PX5.0-060603	分流板	1	10,56 €
01-8	PX5.0-060600	盖板焊接件	1	19,96 €
01-9	PX5.0-010100	HANDLE	1	75,57 €
01-10	PX5.0-030300	HANDLE FRAME	1	38,72 €
01-11	PX5.0-HSPG.W8-DIN-1	SPRING WASHER,TANG ENDS	19	0,20 €
01-12	PX5.0-FN.W8-DIN-1	WASHER	11	0,40 €
01-13	PX5.0-030305	转销	2	3,00 €
01-14	PX5.0-V-400-030302	RUBBER MOUNTS	4	25,32 €
01-15	PX5.0-FN.B-M6x30-DIN-2	BOLT	4	0,12 €
01-16	PX5.0-CPT-BT-1 / 4-10	HOSE NIPPLE	2	1,52 €
01-17	PX5.0-90P-070006	HOSE CLAMP	2	0,40 €
01-18	PX5.0-60W-010700	WATER PIPE	1	0,76 €
01-19	PX5.0-QF-1 / 4-NI	VALVE	1	7,68 €
01-20	PX5.0-FN.W6-DIN-2	WASHER	4	0,16 €
01-21	PX5.0-IN.N-M6-DIN-2	LOCK NUT	4	0,16 €
01-22	PX5.0-90P-070000A	WATER TANK	1	85,47 €
01-23	PX5.0-FN.B-M10x35-8.8-DIN-1	BOLT	1	0,28 €
01-24	PX5.0-WOD.W10-GB-1	WASHER	2	0,08 €
01-25	PX5.0-650-070200	WATER TANK CAP	1	37,60 €
01-26	PX5.0-HC.N-M10-DIN-1	CAP NUT	1	0,20 €
01-27	PX5.0-020200	WATER TANK FRAME	1	98,07 €
01-28	PX5.0-FN.B-M8x25-8.8-DIN-1	BOLT	8	0,08 €
01-29	PX5.0-90P-090000	ENGINE BASE	1	90,84 €
01-30	PX5.0-80-0409	NAMEPLATE	1	1,48 €
01-31	PX5.0-K.RVT-3.2x7.1	RIVET	4	0,16 €
01-32	PX5.0-FN.B-M10x45-8.8-DIN-1	BOLT	1	0,24 €
01-33	PX5.0-FN.N-M10-DIN-1	NUT	1	0,24 €
01-34	PX5.0-60-060200	BOLT	1	2,80 €
01-35	PX5.0-90P-031000	FIX ENGINE BOLT	1	14,44 €
01-36	PX5.0-500S-010505	BUCKLE	1	18,04 €

01-37	PX5.0-SPG.W5-DIN-1	SPRING WASHER	4	0,16 €
01-38	PX5.0-FN.B-M5x10-8.8-DIN-1	BOLT	2	0,08 €
01-39	PX5.0-FN.B-M8x40-8.8-DIN-1	BOLT	2	0,20 €
01-40	PX5.0-FN.N-M8-DIN-1	NUT	6	0,16 €
01-41	PX5.0-80-0408	CUSHION	2	5,52 €
01-42	PX5.0-IN.N-M10-DIN-1	LOCK NUT	6	0,24 €
01-43	PX5.0-FN.W10-DIN-1	WASHER	12	0,16 €
01-44	PX5.0-FN.B-M10x25-8.8-DIN-1	BOLT	2	0,20 €
01-45	PX5.0-FN.B-M8x20-8.8-DIN-1	BOLT	7	0,16 €
01-46	PX5.0-WOD.W8-GB-1	WASHER	10	0,16 €
01-47	PX5.0-60W-040200	WHEEL	2	13,12 €
01-48	PX5.0-60W-040100	WHEEL FRAME	1	36,03 €
01-49	PX5.0-W05-GX160UT2-SWX2	ENGINE	1	256,80 €
01-50	PX5.0-070700	INNER BELT GUARD	1	32,91 €
01-51	PX5.0-90P-040600	SEAL	1	7,96 €
01-52	PX5.0-90P-031700	SPACER	1	2,64 €
01-53	PX5.0-Key.A-5x5x36	KEY	1	6,00 €
01-54	PX5.0-80-0500A	CENTRIFUGAL CLUTCH	1	37,50 €
01-55	PX5.0-W01-6006ZZ-J	BEARING	1	15,08 €
01-56	PX5.0-CS.RG30	EXTERNAL CIRCLIP	1	0,24 €
01-57	PX5.0-90P-031800	CLUTCH PULLEY	1	23,60 €
01-58	PX5.0-CH.RG55	INTERNAL CIRCLIP	1	2,00 €
01-59	PX5.0-W02-A33	V-BELT	1	11,92 €
01-60	PX5.0-100GB-070108	WASHER	1	2,68 €
01-61	PX5.0-HSPG.W8-DIN-1	SPRING WASHER,TANG ENDS	1	0,20 €
01-62	PX5.0-FN.B-M8x30-8.8-DIN-1	BOLT	3	0,12 €
01-63	PX5.0-90P-040300	CONNECTION POLE	2	9,60 €
01-64	PX5.0-90P-040500	OUTER BELT GUARD	1	31,60 €
01-65	PX5.0-FN.B-M6x20-8.8-DIN-2	BOLT	2	0,16 €
01-66	PX5.0-HSPG.W6-DIN-2	SPRING WASHER,TANG ENDS	2	0,16 €
01-67	PX5.0-HC.N-M6-DIN-2	CAP NUT	2	2,00 €
01-68	PX5.0-FNL.N-M10-DIN-2	HEXAGON THIN NUT	1	0,24 €
01-69	PX5.0-70ND-060000	THROTTLE LEVER	1	19,56 €
01-70	PX5.0-FHSS.S-M6x8-GB-3	SOCKET SCREW WITH FLAT HEAD	1	1,16 €
01-71	PX5.0-70ND-060001	THROTTLE BODY	1	8,40 €
01-72	PX5.0-W04-45x3	O-RING	1	4,08 €
01-73	PX5.0-70ND-060003	BOLT	1	9,20 €
01-74	PX5.0-70ND-060002	THROTTLE GEAR	1	19,04 €
01-75	PX5.0-FHSS.S-M8x20-GB-3	SOCKET SCREW WITH FLAT HEAD	1	0,16 €

01-76	PX5.0-70ND-060004	SLIDER	1	8,60 €
01-77	PX5.0-FNL.N-M8-DIN-2	HEXAGON THIN NUT	2	0,16 €
01-78	PX5.0-HC.N-M8-DIN-2	CAP NUT	1	0,16 €
01-79	PX5.0-CPT80S-W06-S04-L800x1000	THROTTLE CABLE	1	37,40 €
01-80	PX5.0-90P-70ND-010018	THROTTLE LEVER ASSY	1	67,77 €
01-81	PX5. 0-02	EXCITER HOUSING ASSY	1SET	0,00 €
01-82	PX5.0-FN.B-M5x15-8.8-DIN-1	BOLT	2	0,16 €
01-83	PX5.0-030304	固定架	1	19,48 €
01-84	PX5.0-FN.B-M10x20-8.8-DIN-1	BOLT	4	0,24 €
01-85	PX5.0-SPG.W10-DIN-1	SPRING WASHER	2	0,16 €
01-86	PX5.0-FN.B-M10x55-8.8HALF-DIN-1	BOLT	2	0,36 €








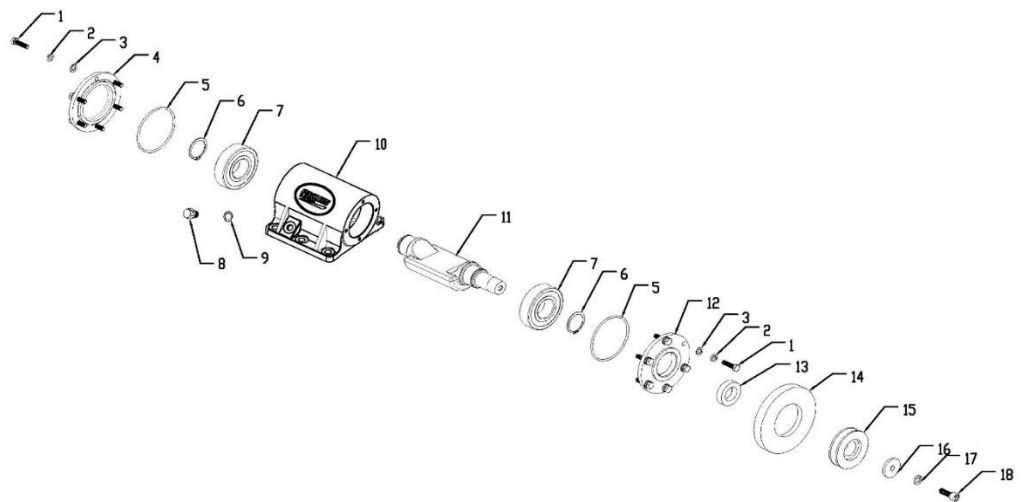
## PX5.0-02 EXCITER HOUSING ASSY.

NO.	PART NO.	PART DESCRIPTION	MATERIAL SPECIFICATION	QTY	INTERNET PRICE
02-1	PX5.0-FN.B-M8x30-8.8-DIN-1	BOLT	M8x30	12	0,12 €
02-2	PX5.0-HSPG.W8-DIN-1	SPRING WASHER,TANG ENDS	M8	12	0,20 €
02-3	PX5.0-FN.W8-DIN-2	WASHER	M8	12	0,40 €
02-4	PX5.0-90P-020400	CLOSE COVER	ZL107	1	19,28 €
02-5	PX5.0-W04-90x3.5	O RING	90x3.5	2	4,12 €
02-6	PX5.0-CS.RG40	EXTERNAL CIRCLIP	40	2	0,32 €
02-7	PX5.0-W01-6308ZZC3E-J	BEARING	NSK 6308ZZC3E	2	37,38 €
02-8	PX5.0-HHOS.B-M14x1.5	HEXAGON HEAD PLUG	M14x1.5	1	2,40 €
02-9	PX5.0-GB97.1-M14	CUPRUM WASHER	M14	1	0,36 €
02-10	PX5.0-90P-020100P	EXCITER HOUSING	ZL107	1	135,93 €
02-11	PX5.0-90P-020200A	EXCITER SHAFT	QT450-10	1	35,76 €
02-12	PX5.0-90P-020300	COVER	ZL107	1	15,72 €
02-13	PX5.0-W03-50x30x12	OIL SEAL	50x30x12	1	4,00 €
02-14	PX5.0-90P-020500	COVER GUARD	EPDM	1	18,12 €
02-15	PX5.0-90P-031900	EXCITER PULLEY	HT200	1	21,40 €
02-16	PX5.0-80-0303	PULLEY WASHER	Q235	1	2,40 €
02-17	PX5.0-HSPG.W10-DIN-1	SPRING WASHER,TANG ENDS	M10	1	0,16 €
02-18	PX5.0-90B-010800	VENT SCREW		1	23,72 €

# PX5.0-02 EXCITER HOUSING ASSY.

NO.	PART NO.	PART DESCRIPTION	MATERIAL SPECIFICATION	QTY	INTERNET PRICE
-----	----------	------------------	------------------------	-----	----------------



Drawn	CXH	Model	PX5.0	Drawing No.	PX5.0-02
Checked		Description	EXCITER HOUSING ASSY		
Approved		Date	2013.03.07		