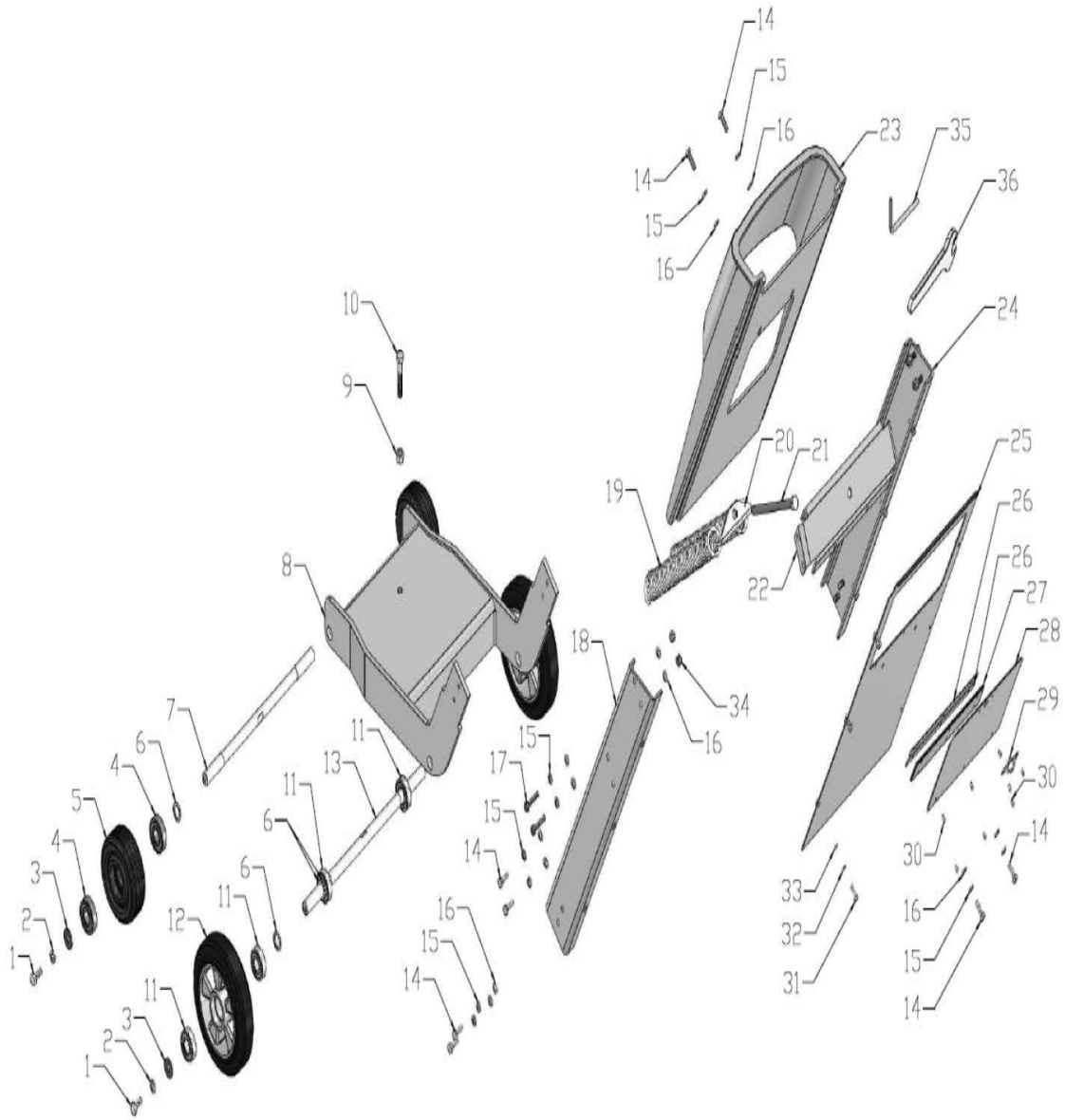


CUT 4-5-01 WHEEL FRAME ASSY

NO.	PART NO.	PART DESCRIPTION	QTY	UNIT PRICE EUR & USD 2015
01-1	CUT 4-5 - FN.B-M10x25-8.8-DIN-2	BOLT	4	0,28
01-2	CUT 4-5 - HSPG.W10-DIN-2	SPRING WASHER,TANG ENDS	4	0,14
01-3	CUT 4-5 - WOD.W10-GB-2	LARGE WASHER	4	0,18
01-4	CUT 4-5 - W01-6203ZZ-G	BEARING	4	7,64
01-5	CUT 4-5 - 20-050400	FRONT WHEEL	2	64,41
01-6	CUT 4-5 - 20A-010417	WASHER	8	13,89
01-7	CUT 4-5 - 20A-010414	FRONT WHEEL SHAFT	1	32,67
01-8	CUT 4-5 - 20A-010200	WHEEL BRACKET	1	315,27
01-9	CUT 4-5 - FN.N-M12-DIN-2	NUT	1	0,18
01-10	CUT 4-5 - FN.B-M12x60-8.8-DIN-2	BOLT	1	0,61
01-11	CUT 4-5 - W01-6H04ZZ-G	BEARING	6	4,69
01-12	CUT 4-5 - 20A-010500	REAR WHEEL	2	132,89
01-13	CUT 4-5 - 20A-010413	REAR WHEEL SHAFT	1	34,91
01-14	CUT 4-5 - FN.B-M8x25-8.8-DIN-2	BOLT	12	0,18
01-15	CUT 4-5 - HSPG.W8-DIN-2	SPRING WASHER,TANG ENDS	16	0,14
01-16	CUT 4-5 - FN.W8-DIN-2	WASHER	16	0,14
01-17	CUT 4-5 -FN.B-M8x30-8.8-DIN-2	BOLT	4	0,18
01-18	CUT 4-5 - 20A-020200L	LEFT PLANK	1	55,82
01-19	CUT 4-5 - 20A-010409	SPRING	2	64,41
01-20	CUT 4-5 - 20A-020300	SPRING HOOK	1	12,10
01-21	CUT 4-5 - FN.B-M12x180-8.8-DIN-2	BOLT	1	1,53
01-22	CUT 4-5 - 20A-020400	PLANK	1	34,05
01-23	CUT 4-5 - 20A-020201	INSIDE SUPPORT COVER	1	103,78
01-24	CUT 4-5 - 20A-020200R	RIGHT PLANK	1	69,83
01-25	CUT 4-5 - 20A-020900	MAIN BODY PLANK	1	90,74
01-26	CUT 4-5 - 20A-020211	PLANK	2	7,87
01-27	CUT 4-5 - 20A-020205	RUBBER CONNECT PATCH	1	10,26
01-28	CUT 4-5 - 20A-020204	COVER	1	26,04
01-29	CUT 4-5 - 20A-030411	LOCK	1	34,05
01-30	CUT 4-5 - K.RVT-4.0x10	RIVET	8	0,14
01-31	CUT 4-5 - FN.B-M6x20-8.8-DIN-2	BOLT	6	0,14
01-32	CUT 4-5 - HSPG.W6-DIN-2	SPRING WASHER,TANG ENDS	6	0,14
01-33	CUT 4-5 - FN.W6-DIN-2	WASHER	6	0,14
01-34	CUT 4-5 - IN.N-M8-DIN-2	LOCK NUT	4	0,14
01-35	CUT 4-5 - 20A-021100	LOCK PIN	1	9,66
01-36	CUT 4-5 - 20A-021200	SPANNER	1	31,74

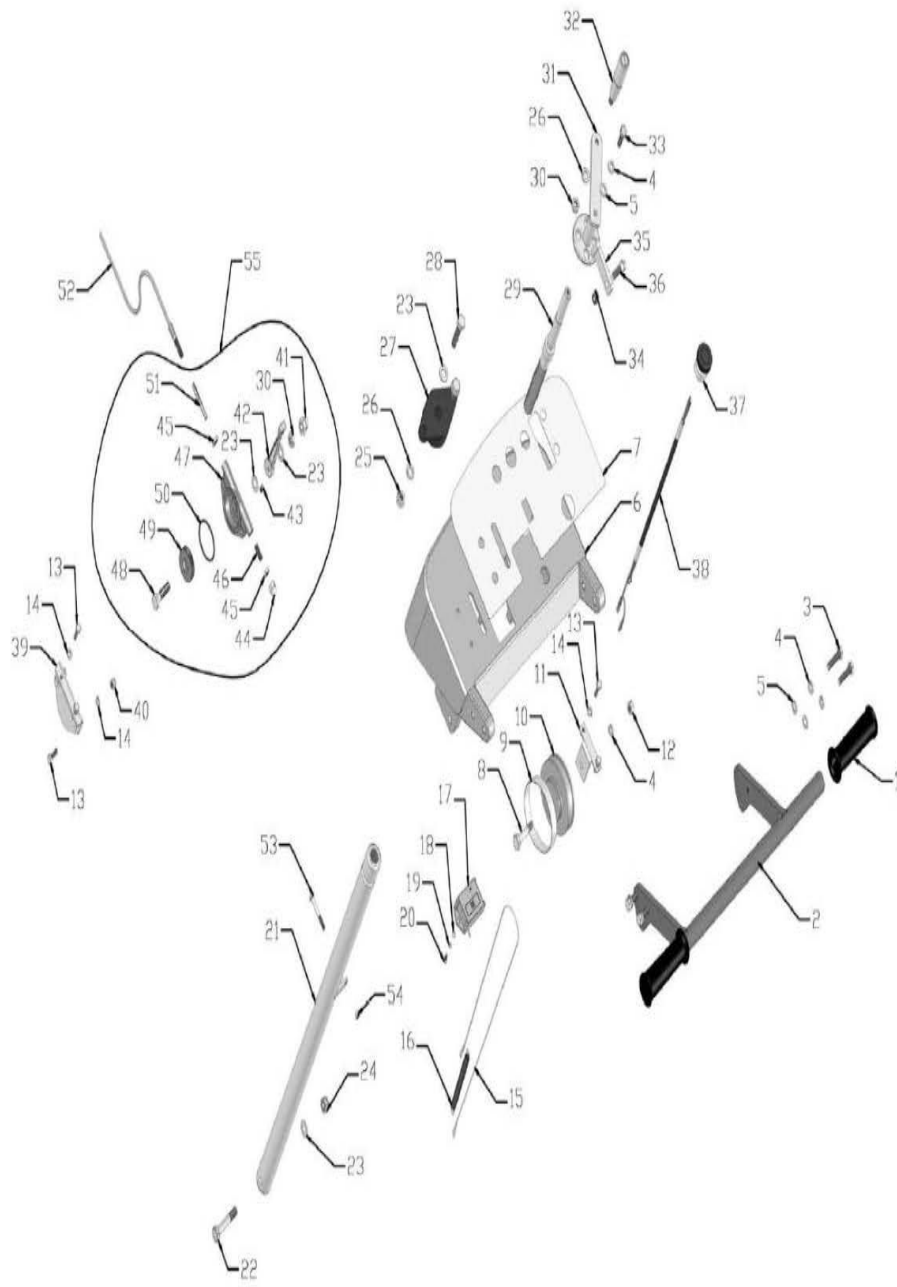


Drawn	SJ	Model	CUT 4-5	Drawing No.	CUT 4-5-01
Checked		Description	WHEEL FRAME ASSEMBLY		
Approved		Date	2012/06/28		

CUT 4-5-02 OPERATION CONTROL PANEL ASSY

NO.	PART NO.	PART DESCRIPTION	QTY	UNIT PRICE EUR & USD 2015
02-1	CUT 4-5-100G-010001	HANDLE COVER	2	4,37
02-2	CUT 4-5-20A-020500	HANDLE	1	31,84
02-3	CUT 4-5-FN.B-M8x35-8.8-DIN-2	BOLT	4	0,18
02-4	CUT 4-5-HSPG.W8-DIN-2	SPRING WASHER,TANG ENDS	6	0,09
02-5	CUT 4-5-FN.W8-DIN-2	WASHER	5	0,09
02-6	CUT 4-5-20A-020100P	OPERATION FACEPLATE	1	211,28
02-7	CUT 4-5-20A-020203	STICK PAPER	1	25,02
02-8	CUT 4-5-20A-020221	BOLT	1	15,23
02-9	CUT 4-5-20A-020222	STICK PAPER ,DEPTH	1	4,37
02-10	CUT 4-5-20A-020206	SHOW WHEEL	1	33,47
02-11	CUT 4-5-20A-020209	BRACKET	1	5,43
02-12	CUT 4-5--FN.N-M8-DIN-2	NUT	1	0,09
02-13	CUT 4-5--FN.B-M6x20-8.8-DIN-2	BOLT	8	0,09
02-14	CUT 4-5--HSPG.W6-DIN-2	SPRING WASHER,TANG ENDS	8	0,09
02-15	CUT 4-5-20A-030418	LINE	1	6,53
02-16	CUT 4-5-43-051001	TENSION SPRING	1	9,25
02-17	CUT 4-5-20A-020208	SPEED INSTRUMENT	1	142,49
02-18	CUT 4-5-FN.W4-DIN-2	WASHER	2	0,09
02-19	CUT 4-5-SPG.W4-DIN-2	SPRING WASHER	2	0,09
02-20	CUT 4-5-PAN.S-M4x10-GB-2	PAN HEAD SCREW	2	0,09
02-21	CUT 4-5-20A-020600	SHAFT	1	82,87
02-22	CUT 4-5-FN.B-M10x60-8.8HALF-DIN-2	BOLT	1	0,32
02-23	CUT 4-5-FN.W10-DIN-2	WASHER	5	0,09
02-24	CUT 4-5-IN.N-M10-DIN-2	LOCK NUT	1	0,14
02-25	CUT 4-5-FN.N-M10-DIN-2	NUT	2	0,09
02-26	CUT 4-5-HSPG.W10-DIN-2	SPRING WASHER,TANG ENDS	3	0,09
02-27	CUT 4-5-W01-UCFL203-J	BEARING	1	38,78
02-28	CUT 4-5-FN.B-M10x45-8.8-DIN-2	BOLT	2	0,28
02-29	CUT 4-5-20A-020207	SCREW SHAFT	1	41,64
02-30	CUT 4-5-FNL.N-M10-DIN-2	HEXAGON THIN NUT	3	0,09
02-31	CUT 4-5-12-020100	ROCKER	1	33,76
02-32	CUT 4-5-16-000009	HANDLE	1	12,51
02-33	CUT 4-5-FN.B-M8x25-8.8-DIN-2	BOLT	1	0,14
02-34	CUT 4-5-IN.N-M8-DIN-2	LOCK NUT	1	0,09
02-35	CUT 4-5-20A-020101	LOCK PIN	1	8,69
02-36	CUT 4-5-12-000007	ADJUSTING BOLT	1	6,53
02-37	CUT 4-5-20A-020210	SAFETY SWITCH	1	31,84
02-38	CUT 400-20A-021000	WIRE	1	27,23
02-39	CUT 4-5-20A-020220	THROTTLE LEVER SUPPORT	1	19,04
02-40	CUT 4-5-HC.N-M6-DIN-2	CAP NUT	2	0,09
02-41	CUT 4-5-HC.N-M10-DIN-2	CAP NUT	1	0,32
02-42	CUT 4-5-70ND-060000	THROTTLE LEVER	1	21,25
02-43	CUT 4-5-FHSS.S-M6x8-GB-3	SOCKET SCREW WITH FLAT HEAD	1	0,09
02-44	CUT 4-5-HC.N-M8-DIN-2	CAP NUT	1	0,18
02-45	CUT 4-5-FNL.N-M8-DIN-2	HEXAGON THIN NUT	2	0,09
02-46	CUT 4-5-FHSS.S-M8x20-GB-3	SOCKET SCREW WITH FLAT HEAD	1	0,18
02-47	CUT 4-5-70ND-060001	THROTTLE BODY	1	29,39
02-48	CUT 4-5-70ND-060003	BOLT	1	11,96
02-49	CUT 4-5-70ND-060002	THROTTLE GEAR	1	23,97
02-50	CUT 4-5-W04-45x3	O-RING	1	4,37
02-51	CUT 4-5-70ND-060004	SLIDER	1	7,08
02-52	CUT 4-5-W06-S04-L1100x1300	THROTTLE CABLE	1	42,06
02-53	CUT 4-5-FN.B-M6x45-8.8-DIN-2	BOLT	1	0,09
02-54	CUT 4-5-IN.N-M6-DIN-2	LOCK NUT	1	0,09
02-55	CUT 4-5-70ND-010018	THROTTLE LEVER ASSY	1	73,49



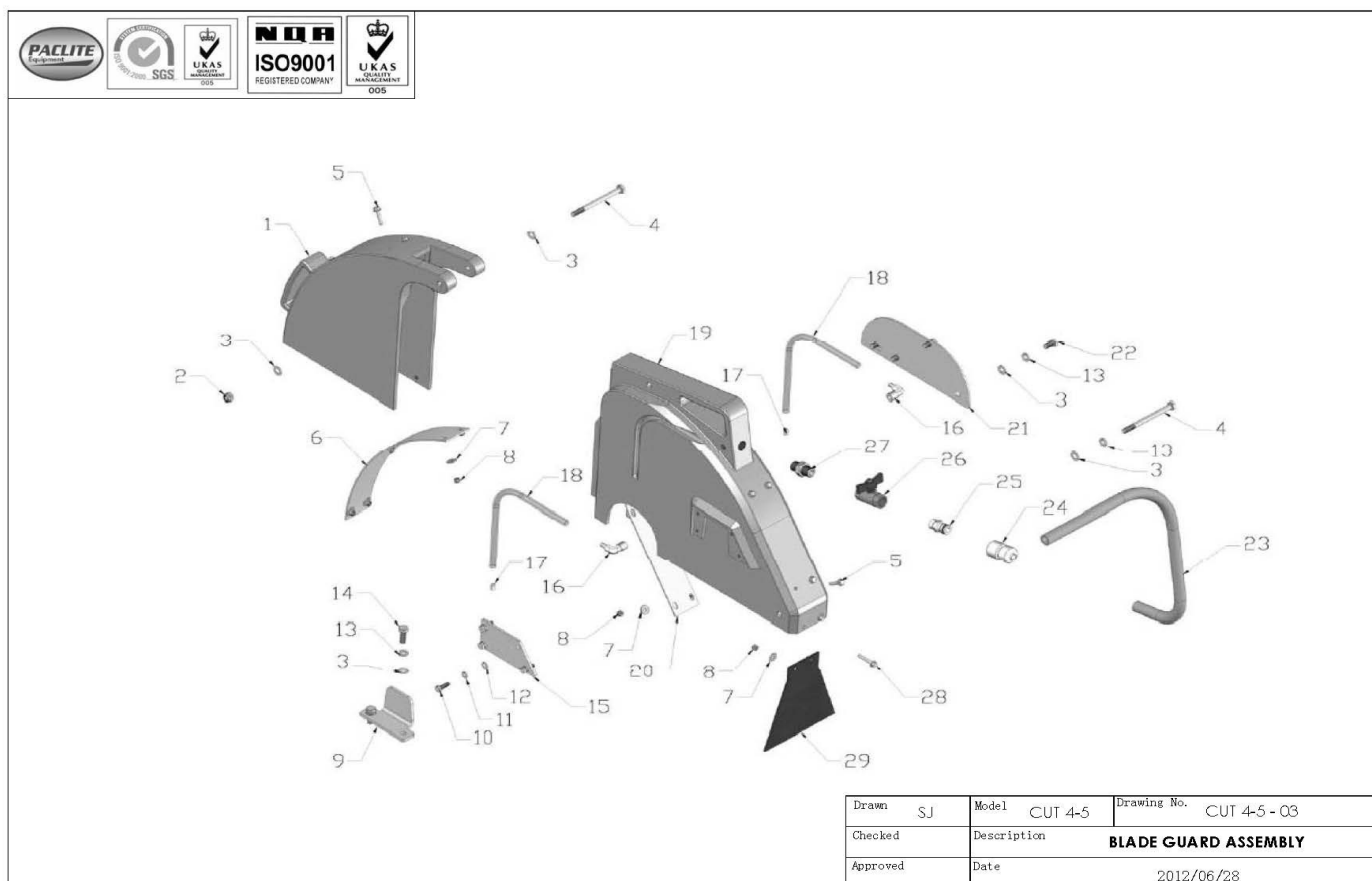


Drawn	SJ	Model	CUT 4-5	Drawing No.	CUT 4-5-02
Checked		Description OPERATIONAL CONTROL PANEL ASSEMBLY			
Approved		Date	2012/06/28		

CUT 4-5-03 BLADE GUARD ASSY

NO.	PART NO.	PART DESCRIPTION	QTY	UNIT PRICE EUR & USD 2015
03-1	CUT 4-5 -20A-010402	BLADE GUARD	1	108,23
03-2	CUT 4-5 -IN.N-M8-DIN-2	LOCK NUT	1	0,09

03-3	CUT 4-5 -FN.W8-DIN-2	WASHER	9	0,09
03-4	CUT 4-5 -FN.B-M8x100-8.8HALF-DIN-2	BOLT	2	0,37
03-5	CUT 4-5 -HF.B-M5x25-8.8-DIN-2	HEXAGON FLANGE BOLT	9	0,23
03-6	CUT 4-5 -20A-010431	UNDERLAY	1	14,17
03-7	CUT 4-5 -WOD.W5-GB-2	WASHER	11	0,09
03-8	CUT 4-5 -IN.N-M5-DIN-2	LOCK NUT	11	0,09
03-9	CUT 4-5 -20A-010405	BLADE GUARD SUPPORT	1	9,80
03-10	CUT 4-5 -FN.B-M6x20-8.8-DIN-2	BOLT	4	0,09
03-11	CUT 4-5 -HSPG.W6-DIN-2	SPRING WASHER,TANG ENDS	4	0,09
03-12	CUT 4-5 -FN.W6-DIN-2	WASHER	4	0,41
03-13	CUT 4-5 -HSPG.W8-DIN-2	SPRING WASHER,TANG ENDS	7	0,09
03-14	CUT 4-5 -FN.B-M8x25-8.8-DIN-2	BOLT	2	0,14
03-15	CUT 4-5 -20A-010403	FIXED PLATE	1	7,68
03-16	CUT 4-5 -20A-030415	90° ELBOW	2	13,06
03-17	CUT 4-5 -20A-010428	SPRINKLE	2	15,78
03-18	CUT 4-5 -20A-030413	HOSE	2	1,10
03-19	CUT 4-5 -20A-010401	BLADE GUARD	1	174,54
03-20	CUT 4-5 -20A-010430	UNDERLAY	1	7,64
03-21	CUT 4-5 -20A-010404	CONNECT PLATE	1	4,92
03-22	CUT 4-5 -FN.B-M8x16-8.8-DIN-2	BOLT	4	0,14
03-23	CUT 4-5 -20A-030416	HOSE	1	18,49
03-24	CUT 4-5 -20A-030412	SPDDE TIE-IN	1	16,88
03-25	CUT 4-5 -KSJT-G3/8-16	HOSE NIPPLE	1	16,33
03-26	CUT 4-5 -6.5-070001	CULVERT VALVE	1	14,72
03-27	CUT 4-5 -650-070400	CONNECTOR	1	15,23
03-28	CUT 4-5 -HF.B-M5x30-8.8-DIN-2	HEXAGON FLANGE BOLT	2	0,18
03-29	CUT 4-5 -16-000005	DUST JACKET	1	5,98

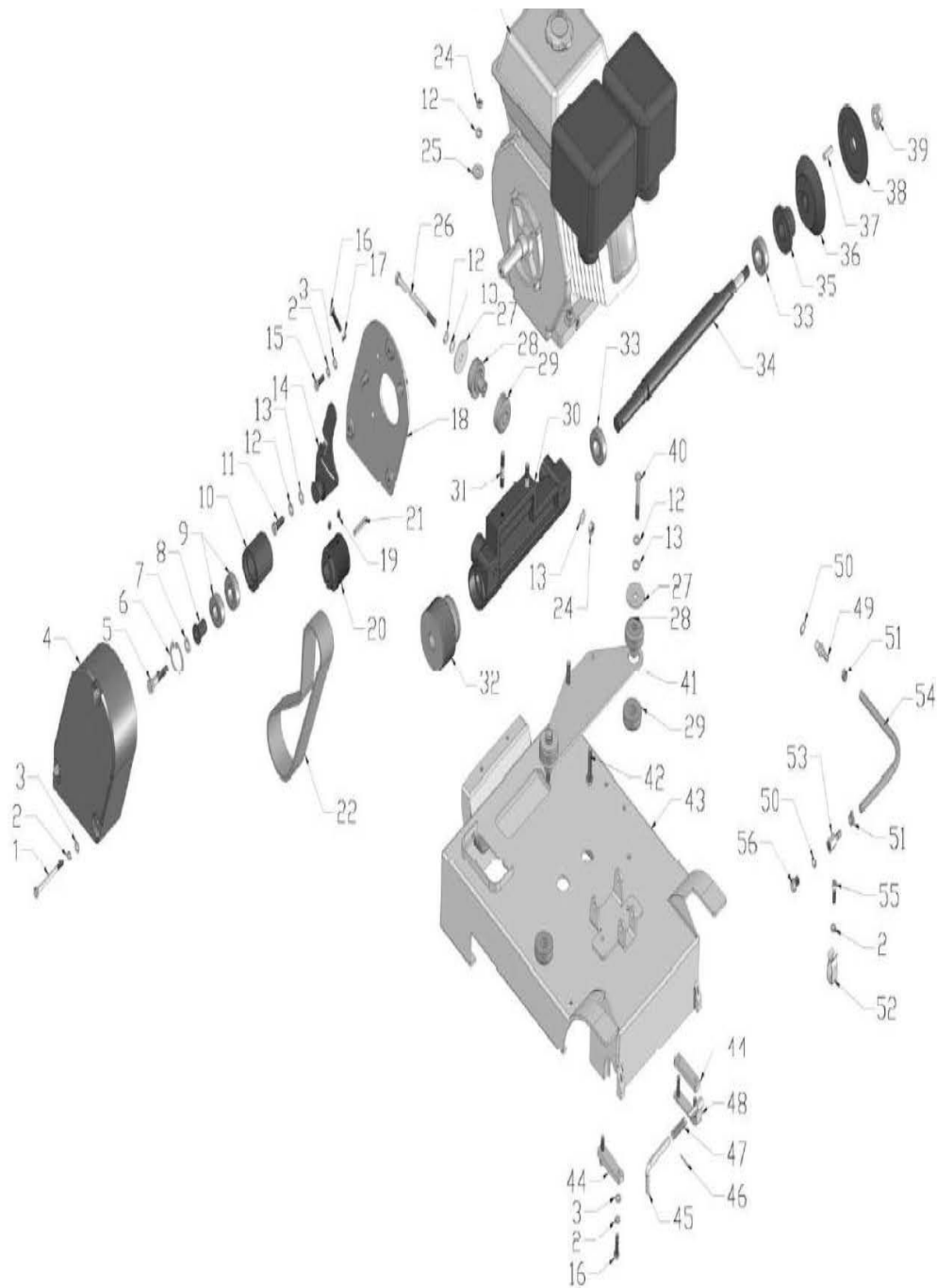


CUT 4-5-04 BASE PLATE & ENGINE ASSY

NO.	PART NO.	PART DESCRIPTION	QTY	UNIT PRICE EUR & USD 2015
04-1	CUT 4-5 -FN.B-M8x100-8.8HALF-DIN-2	BOLT	3	0,37
04-2	CUT 4-5 -HSPG.W8-DIN-2	SPRING WASHER,TANG ENDS	10	0,09
04-3	CUT 4-5 -FN.W8-DIN-2	WASHER	9	0,09
04-4	CUT 4-5 -20A-010419	BELT COVER	1	73,89

04-5	CUT 4-5 -FN.B-M12x60-8.8-DIN-2	BOLT	1	0,57
04-6	CUT 4-5 -CH.RG47	INTERNAL CIRCLIP	1	0,59
04-7	CUT 4-5 -HSPG.W12-DIN-2	SPRING WASHER,TANG ENDS	1	0,09
04-8	CUT 4-5 -20A-030409	BEARING BUSH	1	17,42
04-9	CUT 4-5 -W01-6204ZZ-G	BEARING	2	4,24
04-10	CUT 4-5 -20A-010423	IDLER	1	35,11
04-11	CUT 4-5 -FN.B-M10x30-8.8-DIN-2	BOLT	1	0,23
04-12	CUT 4-5 -HSPG.W10-DIN-2	SPRING WASHER,TANG ENDS	9	0,09
04-13	CUT 4-5 -FN.W10-DIN-2	WASHER	7	0,09
04-14	CUT 4-5 -20A-010900	IDLER BRACKET	1	13,61
04-15	CUT 4-5 -FN.B-M8x25-8.8-DIN-2	BOLT	2	0,14
04-16	CUT 4-5 -FN.B-M8x35-8.8-DIN-2	BOLT)	5	0,18
04-17	CUT 4-5 -FNL.N-M8-DIN-2	HEXAGON THIN NUT	1	0,09
04-18	CUT 4-5 -20A-010420	BLET COVER SEAT	1	65,73
04-19	CUT 4-5 -FHSS.S-M8x8-GB-3	GRUB SCREW	2	0,14
04-20	CUT 4-5 -20A-010408	P.T.O PULLEY	1	27,76
04-21	CUT 4-5 -Key.B-7x7x32	KEY	1	4,35
04-22	CUT 4-5 -W02-12PK780	BELT	1	32,11
04-23	CUT 4-5 -W05-GX390UT2-QXC9	ENGINE	1	1 996,53
04-24	CUT 4-5 -FN.N-M10-DIN-2	NUT	6	0,09
04-25	CUT 4-5 -WOD.W10-GB-2	WASHER	4	0,14
04-26	CUT 4-5 -FN.B-M10x140-8.8HALF-DIN-2	BOLT	2	0,77
04-27	CUT 4-5 -20A-010418	WASHER	4	10,89
04-28	CUT 4-5 -20A-010700	SHOCK MOUNT A	4	21,23
04-29	CUT 4-5 -20A-010800	SHOCK MOUNT B	4	10,34
04-30	CUT 4-5 -20A-010300	BLADE SHAFT SEAT	1	101,65
04-31	CUT 4-5 -20A-030417	BOLT	2	9,80
04-32	CUT 4-5 -20A-010407	DRIVEN PULLEY	1	31,03
04-33	CUT 4-5 -W01-6205ZZ-J	BEARING	2	13,69
04-34	CUT 4-5 -20A-010412	BLADE SHAFT	1	36,47
04-35	CUT 4-5 -20A-010406	FIXER BUSH	1	39,19
04-36	CUT 4-5 -20A-010410	BLADE FIXER	1	74,71
04-37	CUT 4-5 -ST.PIN-10x30	PIN	1	0,67
04-38	CUT 4-5 -20A-010411	BLADE FIXER	1	55,52
04-39	CUT 4-5 -HF.N-M16L-DIN-3	HEXAGON FLANGE NUT	1	1,30
04-40	CUT 4-5 -FN.B-M10x70-8.8HALF-DIN-2	BOLT	2	0,37
04-41	CUT 4-5 -20A-010422	ENGINE SEAT	1	21,23
04-42	CUT 4-5 -FN.B-M10x45-8.8-DIN-2	BOLT	2	0,28
04-43	CUT 4-5 -20A-010100	BASE PLATE	1	159,90
04-44	CUT 4-5 -20A-010421	BEARING SPLINT	2	4,35
04-45	CUT 4-5 -20A-010427	BRAKE BAR	1	10,34
04-46	CUT 4-5 -SP.PIN-1.6x20	SPLIT PIN	1	0,09
04-47	CUT 4-5 -947-19.0.033	SPRING	1	5,99
04-48	CUT 4-5 -20A-010600	BRAKE SEAT	1	7,62
04-49	CUT 4-5 -650-010300	CONNECTOR A	1	4,90
04-50	CUT 4-5 -GB97.1-M12	CUPRUM WASHER	2	0,32
04-51	CUT 4-5 -85d-000026	HOSE BAND	2	1,09
04-52	CUT 4-5 -6.5-080000	PIPE HOLDER	1	2,17
04-53	CUT 4-5 -650-010400	CONNECTOR B	1	4,35
04-54	CUT 4-5 -20A-010432	HOSE	1	7,62
04-55	CUT 4-5 -HS.B-M8x25-8.8-GB-2	SCREW	1	0,14
04-56	CUT 4-5 -HHOS.B-M12x1.5	HEXAGON HEAD PLUG	1	1,54



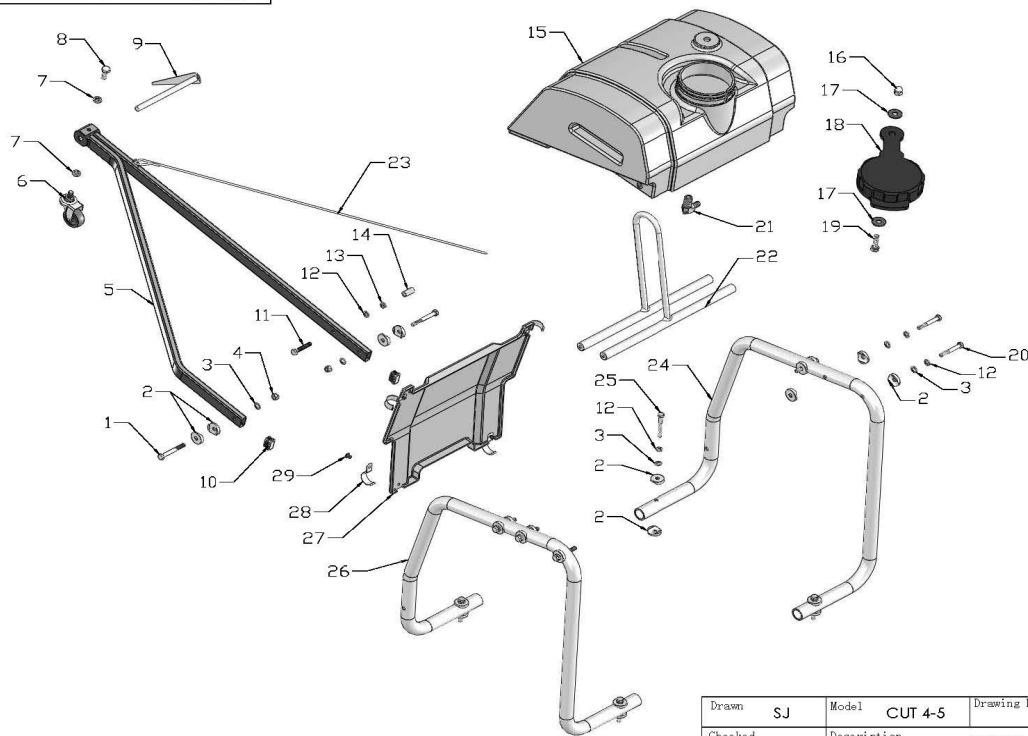


Drawn	SJ	Model	CUT 4-5	Drawing No.	CUT 4-5-04
Checked		Description	BASE PLATE & ENGINE ASSEMBLY		
Approved		Date	2012/06/28		

CUT 4-5-05 WATER TANK ASSY

NO.	PART NO.	PART DESCRIPTION	QTY	UNIT PRICE EUR & USD 2015
05-1	CUT 4-5-FN.B-M8x65-8.8HALF-DIN-2	BOLT	2	0,23
05-2	CUT 4-5-20A-030406	ARC WASHER	22	31,84
05-3	CUT 4-5-FN.W8-DIN-2	WASHER	12	0,09
05-4	CUT 4-5-IN.N-M8-DIN-2	LOCK NUT	2	0,09
05-5	CUT 4-5-20A-030100	LEADING POLE	1	53,06
05-6	CUT 4-5-20-010006	MYRIAD WHEEL	1	26,13
05-7	CUT 4-5-FNL.N-M10-DIN-2	HEXAGON THIN NUT	2	0,09

05-8	CUT 4-5-FN.B-M10x25-8.8-DIN-2	BOLT	1	0,23
05-9	CUT 4-5-20-010200	POINTER	1	2,16
05-10	CUT 4-5-20A-030300	COVER	2	2,71
05-11	CUT 4-5-FN.B-M8x45-8.8-DIN-2	BOLT	1	0,18
05-12	CUT 4-5-HSPG.W8-DIN-2	SPRING WASHER,TANG ENDS	11	0,09
05-13	CUT 4-5-FNL.N-M8-DIN-2	HEXAGON THIN NUT	1	0,09
05-14	CUT 4-5-20A-030600	RUBBER BUSH	1	3,27
05-15	CUT 4-5-20A-030402	WATER TANK	1	125,55
05-16	CUT 4-5-HC.N-M10-DIN-2	CAP NUT	1	0,32
05-17	CUT 4-5-WOD.W10-GB-2	LARGE WASHER	2	0,14
05-18	CUT 4-5-650-070200	WATER TANK CAP	1	43,68
05-19	CUT 4-5-FN.B-M10x35-8.8-DIN-2	BOLT	1	0,23
05-20	CUT 4-5-FN.B-M8x55-8.8HALF-DIN-2	BOLT	6	0,23
05-21	CUT 4-5-20A-030414	WATER TANK TIR-IN	1	4,37
05-22	CUT 4-5-20A-030200	HOOK	1	17,99
05-23	CUT 4-5-20A-020218	LINE	1	10,90
05-24	CUT 4-5-20A-030401R	RIGHT PLANK	1	33,21
05-25	CUT 4-5-FN.B-M8x60-8.8-DIN-2	BOLT	4	0,23
05-26	CUT 4-5-20A-030401L	LEFT PLANK	1	33,21
05-27	CUT 4-5-20A-030407PP	FRONT BOARD	1	23,97
05-28	CUT 4-5-20A-030408	BUTTON	4	2,71
05-29	CUT 4-5-20A-463214	BUTTON	4	5,43



Drawn	SJ	Model	CUT 4-5	Drawing No.	CUT 4-5 - 05
Checked		Description	WATER TANK ASSEMBLY		
Approved		Date	2012/06/28		

