

PC60-01 MAIN FRAME ASSY.

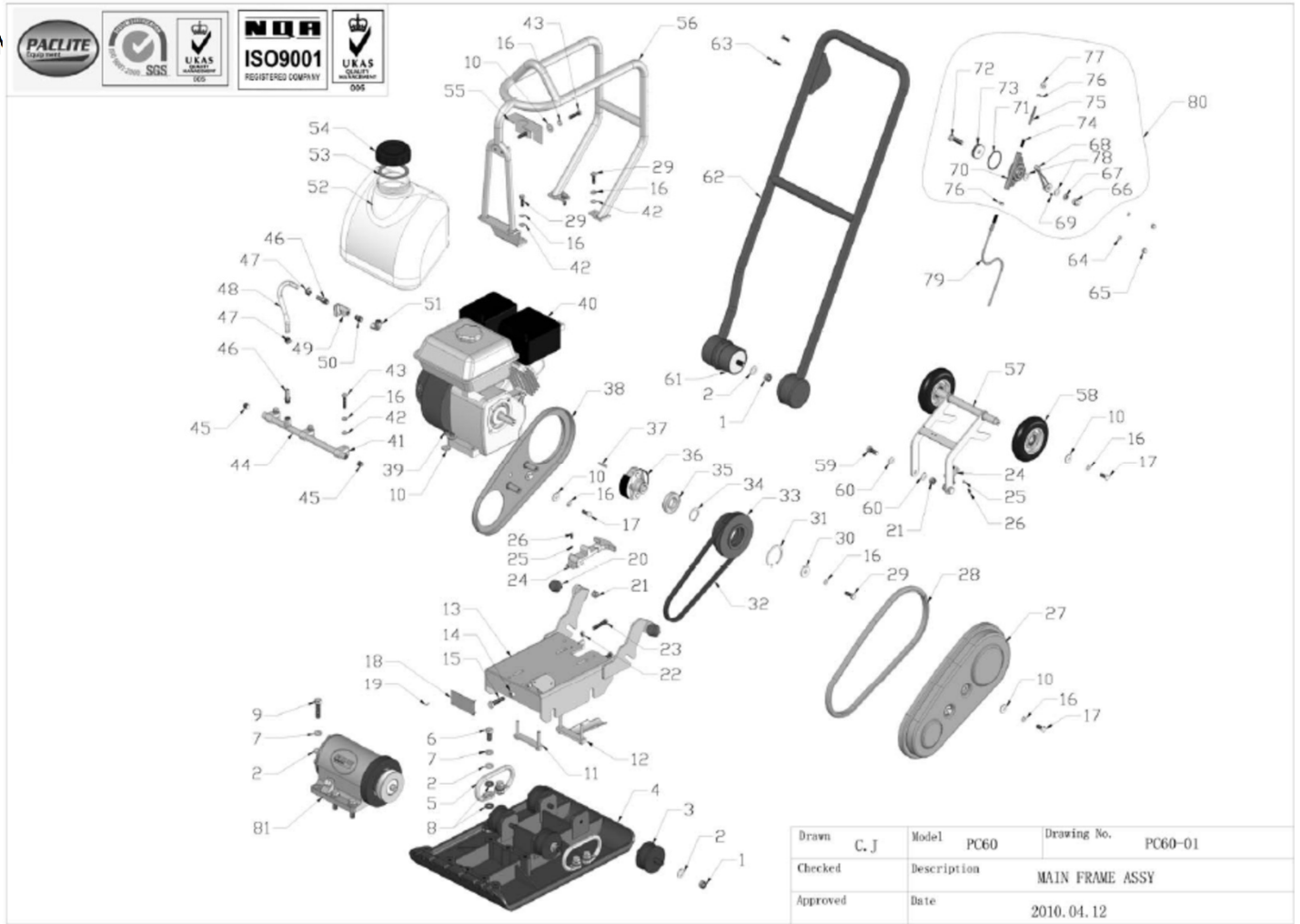
NO.	PART NO.	PART DESCRIPTION	QTY	UNIT PRICE 2018 (EUR)
01-1	PC60-IN.N-M12-DIN-1	LOCK NUT	6	€ 0,50
01-2	PC60-FN.W12-DIN-1	WASHER	16	€ 1,30
01-3	PC60-60III-060100	CUSHION	4	€ 30,90
01-4	PC60-60W-010100S	BASE PLATE	1	€ 373,26
01-5	PC60-90P-010100	HANDLE	2	€ 43,60
01-6	PC60-FN.B-M12x25-8.8-DIN-1	BOLT	4	€ 0,45
01-7	PC60-HSPG.W12-DIN-1	SPRING WASHER,TANG ENDS	10	€ 0,30
01-8	PC60-90P-010600	RUBBER WASHER	8	€ 4,55
01-9	PC60-HS.B-M12x45-12.9-GB-3	SCREW	6	€ 1,60
01-10	PC60-WOD.W8-GB-1	WASHER	14	€ 0,30
01-11	PC60-60-060200	BOLT	1	€ 10,55
01-12	PC60-90P-031000	FIX ENGINE BOLT	1	€ 18,65
01-13	PC60-60W-020100	ENGINE BASE	1	€ 126,20
01-14	PC60-FN.N-M10-DIN-1	NUT	1	€ 0,35
01-15	PC60-FN.B-M10x45-8.8-DIN-1	BOLT	1	€ 0,45
01-16	PC60-HSPG.W8-DIN-1	SPRING WASHER,TANG ENDS	24	€ 0,30
01-17	PC60-FN.B-M8x20-8.8-DIN-1	BOLT	6	€ 0,35
01-18	PC60-80-0409	NAMEPLATE	1	€ 2,30
01-19	PC60-K.RVT-3.2x11	RIVET	4	€ 0,45
01-20	PC60-80-0408	CUSHION	2	€ 15,15
01-21	PC60-IN.N-M10-DIN-1	LOCK NUT	4	€ 0,40
01-22	PC60-FN.N-M8-DIN-1	NUT	2	€ 0,30
01-23	PC60-FN.B-M8x45-8.8-DIN-1	BOLT	2	€ 0,30
01-24	PC60-500S-010505	BUCKLE	1	€ 40,50
01-25	PC60-SPG.W5-DIN-1	SPRING WASHER	4	€ 0,30
01-26	PC60-FN.B-M5x10-8.8-DIN-1	BOLT	4	€ 0,35
01-27	PC60-60W-060200	OUTER BELT GUARD	1	€ 69,80
01-28	PC60-60W-060300	SEAL	1	€ 24,80
01-29	PC60-FN.B-M8x25-8.8-DIN-1	BOLT	5	€ 0,35
01-30	PC60-80-0319	WASHER	1	€ 6,00
01-31	PC60-CH.RG55	INTERNAL CIRCLIP	1	€ 0,90
01-32	PC60-W02-A30	V-BELT	1	€ 29,80
01-33	PC60-40-0318	CLUTCH PULLEY	1	€ 142,00
01-34	PC60-CS.RG30	EXTERNAL CIRCLIP	1	€ 0,40
01-35	PC60-W01-6006ZZ-J	BEARING	1	€ 17,35
01-36	PC60-80-0500C	CENTRIFUGAL CLUTCH	1	€ 141,84
01-37	PC60-Key.C-5x5x32	KEY	1	€ 9,00
01-38	PC60-60W-060100	INNER BELT GUARD	1	€ 70,48
01-39	PC60-IN.N-M8-DIN-1	LOCK NUT	4	€ 0,35
01-40	PC60-W05-GX120	ENGINE	1	
01-41	PC60-90P-010901	HOOP	3	€ 41,35
01-42	PC60-FN.W8-DIN-1	WASHER	15	€ 0,30

PC60-01 MAIN FRAME ASSY.

NO.	PART NO.	PART DESCRIPTION	QTY	UNIT PRICE 2018 (EUR)
01-43	PC60-FN.B-M8x35-8.8-DIN-1	BOLT	5	€ 0,35
01-44	PC60-60W-010800	SPRINKLING PIPE	1	€ 74,60
01-45	PC60-HSHOS.B-ZG1-4	HEXAGONAL SOCKET HEAD PLUG	2	€ 1,90
01-46	PC60-CPT-BT-1/4-10	HOSE NIPPLE	2	€ 11,50
01-47	PC60-90P-070006	HOSE CLAMP	2	€ 2,30
01-48	PC60-60W-010700	HOSE	1	€ 6,00
01-49	PC60-QF-1/4-NI	VALVE	1	€ 25,60
01-50	PC60-CPT-BT-1/4	JOINT	1	€ 8,25
01-51	PC60-CPT-JT-ZG1/4	90° ELBOW	1	€ 11,25
01-52	PC60-90P-070000	WATER TANK	1	€ 110,60
01-53	PC60-6.5-070109	SEAL,WATER TANK COVER	1	€ 6,35
01-54	PC60-6.5-070108	WATER TANK CAP	1	€ 30,10
01-55	PC60-90P-050300	WATER TANK CLIP	1	€ 36,80
01-56	PC60-60W-050100	WATER TANK FRAME	1	€ 130,44
01-57	PC60-60W-040100	WHEEL FRAME	1	€ 90,16
01-58	PC60-60W-040200	WHEEL	2	€ 57,16
01-59	PC60-FN.B-M10x25-8.8-DIN-1	BOLT	2	€ 0,45
01-60	PC60-FN.W10-DIN-1	WASHER	4	€ 0,30
01-61	PC60-90B-030100	HANDRAIL ABSORBER	2	€ 21,10
01-62	PC60-60W-030100-C	HANDRAIL	1	€ 221,60
01-63	PC60-FN.B-M6x20-8.8-DIN-2	BOLT	2	€ 0,30
01-64	PC60-HSPG.W6-DIN-2	SPRING WASHER,TANG ENDS	2	€ 0,35
01-65	PC60-HC.N-M6-DIN-2	CAP NUT	2	€ 0,30
01-66	PC60-HC.N-M10-DIN-2	CAP NUT	1	€ 0,60
01-67	PC60-FNL.N-M10-DIN-2	HEXAGON THIN NUT	1	€ 0,40
01-68	PC60-70ND-060000	THROTTLE LEVER	1	€ 29,05
01-69	PC60-FHSS.S-M6x8-GB-3	SOCKET SCREW WITH FLAT HEAD	1	€ 0,35
01-70	PC60-70ND-060001	THROTTLE BODY	1	€ 40,55
01-71	PC60-W04-45x3	O-RING	1	€ 6,00
01-72	PC60-70ND-060003	BOLT	1	€ 16,55
01-73	PC60-70ND-060002	THROTTLE GEAR	1	€ 33,05
01-74	PC60-FHSS.S-M8x20-GB-3	SOCKET SCREW WITH FLAT HEAD	1	€ 3,30
01-75	PC60-70ND-060004	SLIDER	1	€ 9,75
01-76	PC60-FNL.N-M8-DIN-2	HEXAGON THIN NUT	2	€ 0,30
01-77	PC60-HC.N-M8-DIN-2	CAP NUT	1	€ 0,45
01-78	PC60-FN.W10-DIN-2	WASHER	2	€ 0,30
01-79	PC60-W06-S04-L800x1000	THROTTLE CABLE	1	€ 49,44
01-80	PC60-70ND-010018	THROTTLE LEVER ASSY	1	€ 103,92
01-81	PC60-02	EXCITER HOUSING ASSY	1	€ 0,00
01-82	PC60-010300.3	NYLON BUSH	2	€ 16,60

PC60-01 MAIN FRAME ASSY.

NO.	PART NO.	PART DESCRIPTION	QTY	UNIT PRICE 2018 (EUR)
-----	----------	------------------	-----	-----------------------

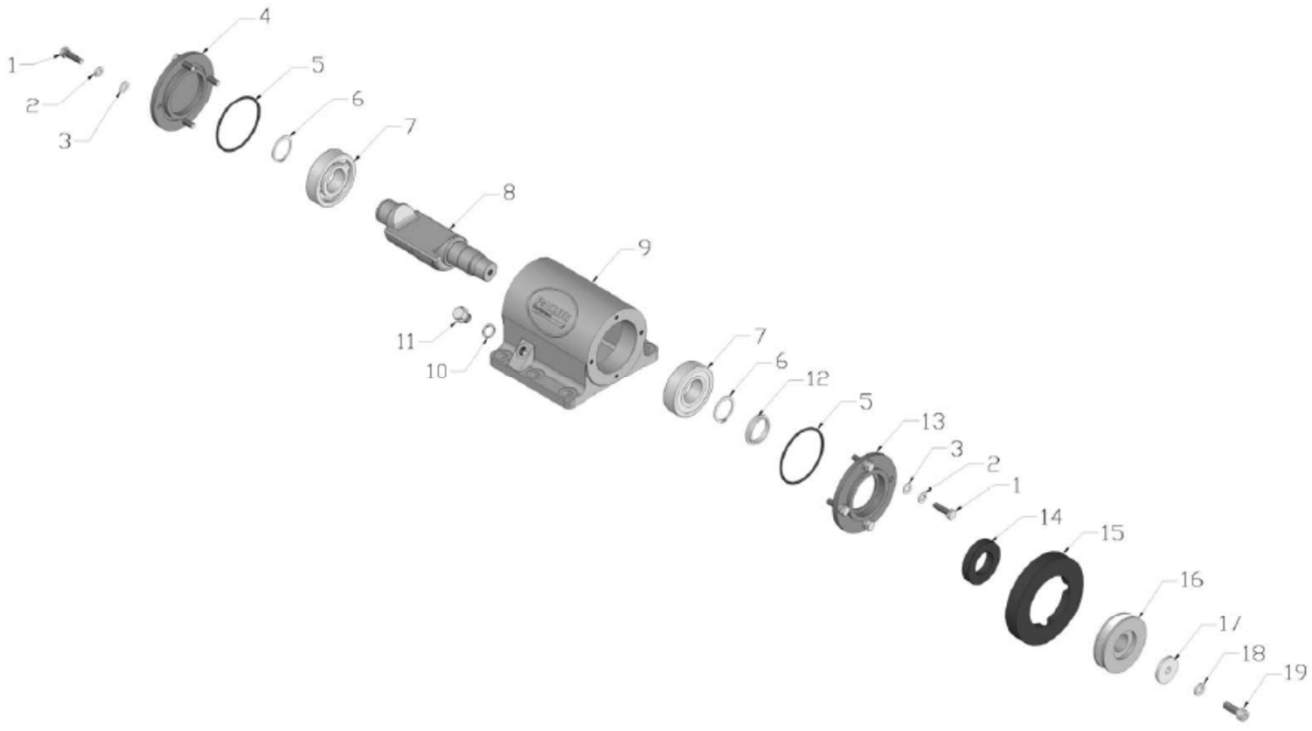


PC60-02 EXCITER HOUSING ASSY.

NO.	PART NO.	PART DESCRIPTION	QTY	UNIT PRICE 2018 (EUR)
02-1	PC60-FN.B-M8x30-8.8-DIN-1	BOLT	8	€ 0,40
02-2	PC60-HSPG.W8-DIN-1	SPRING WASHER,TANG ENDS	8	€ 0,30
02-3	PC60-FN.W8-DIN-1	WASHER	8	€ 0,30
02-4	PC60-60-010400	CLOSE COVER	1	€ 39,05
02-5	PC60-W04-80x3.5	O RING	2	€ 6,00
02-6	PC60-CS.RG35	EXTERNAL CIRCLIP	2	€ 0,55
02-7	PC60-W01-6307Z-J	BEARING	2	€ 49,25
02-8	PC60-60W-010200	EXCITER SHAFT	1	€ 110,64
02-9	PC60-60-010200P	EXCITER HOUSING	1	€ 406,28
02-10	PC60-GB97.1-M14	CUPRUM WASHER	1	€ 0,55
02-11	PC60-HHOS.B-M14x1.5	HEXAGON HEAD PLUG	1	€ 2,30
02-12	PC60-60-010700	BUSH	1	€ 3,75
02-13	PC60-60-010300	COVER	1	€ 39,10

PC60-01 MAIN FRAME ASSY.

NO.	PART NO.	PART DESCRIPTION	QTY	UNIT PRICE 2018 (EUR)
02-14	PC60-W03-65x35x12	OIL SEAL	1	€ 9,00
02-15	PC60-60III-010500	COVER GUARD	1	€ 26,95
02-16	PC60-40-060200	EXCITER PULLEY	1	€ 57,12
02-17	PC60-60-060301	WASHER	1	€ 22,55
02-18	PC60-HSPG.W10-DIN-1	SPRING WASHER,TANG ENDS	1	€ 0,30
02-19	PC60-90B-010800	VENT SCREW	1	€ 3,00



Drawn	C. J	Model	PC60	Drawing No.	PC60-02
Checked		Description	EXCITER HOUSING ASSY		
Approved		Date	2010.04.12		