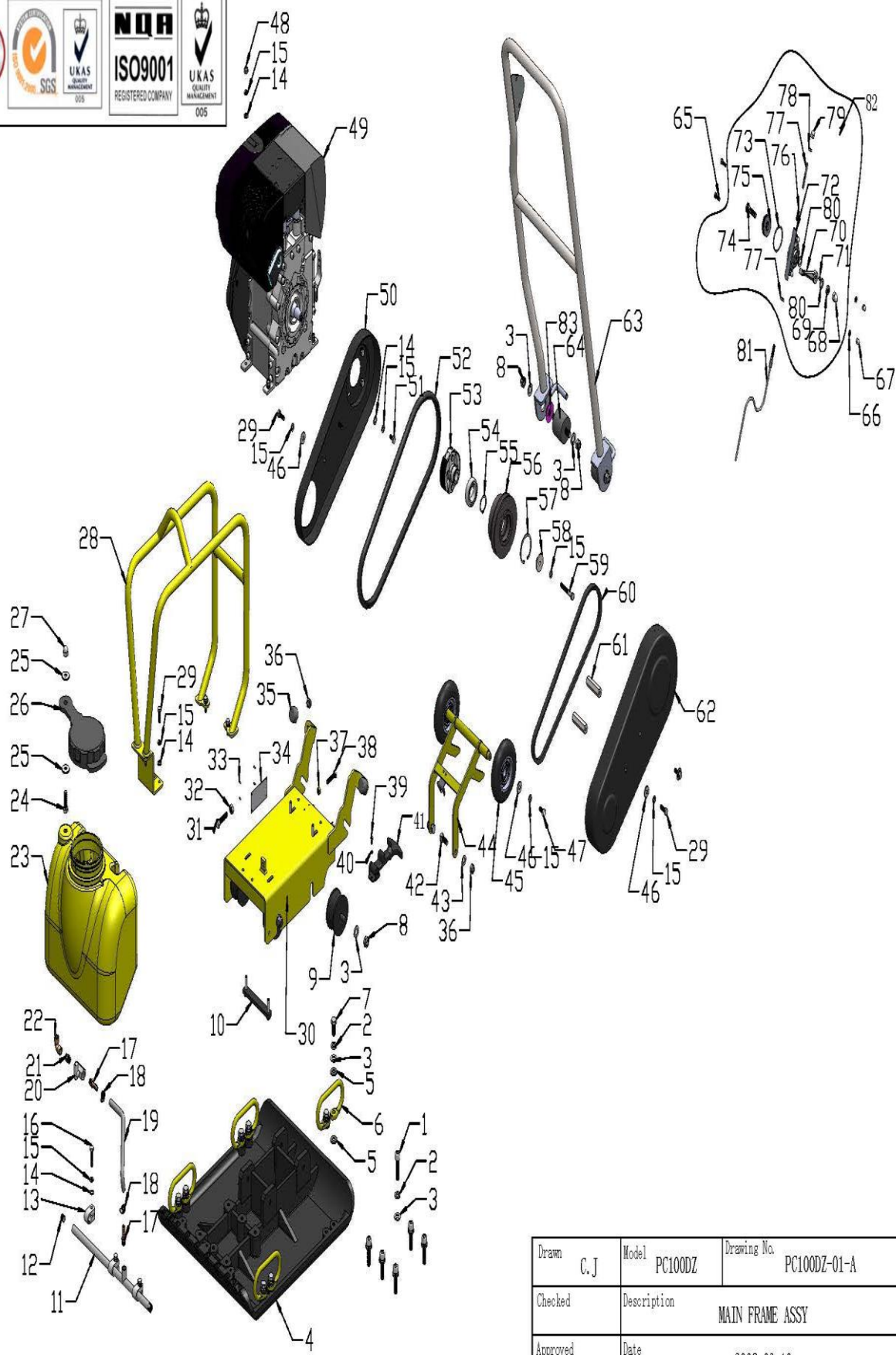


PC100 HATZ-01 MAIN FRAME ASSY

NO.	PART NO.	PART DESCRIPTION	QTY	UNIT PRICE EURO & USD 2015
01-1	PC100DZ-HS.B-M12x45-12.9-GB-3	SCREW	6	1,01
01-2	PC100DZ-HSPG.W12-DIN-1	SPRING WASHER,TANG ENDS	14	0,03
01-3	PC100DZ-FN.W12-DIN-1	WASHER	20	0,03
01-4	PC100DZ-CPT90P-010500	BASE PLATE	1	281,97
01-5	PC100DZ-CPT90P-010600	RUBBER WASHER	16	0,40
01-6	PC100DZ-CPT90P-010100	HANDLE	4	8,17
01-7	PC100DZ-FN.B-M12x25-8.8-DIN-1	BOLT	8	0,21
01-8	PC100DZ-IN.N-M12-DIN-2	LOCK NUT	6	0,12
01-9	PC100DZ-CPT90P-030800	SHOCK ABSORBER	4	25,02
01-10	PC100DZ-CPT90P-032000Z	FIX ENGINE BOLT	2	8,87
01-11	PC100DZ-CPT90P-010800	SPRINKLING PIPE	1	21,42
01-12	PC100DZ-HSHOS.B-ZG1-4	HEXAGONAL SOCKET HEAD PLUG	2	1,00
01-13	PC100DZ-CPT90P-010901	HOOP	3	14,43
01-14	PC100DZ-FN.W8-DIN-1	WASHER	15	0,04
01-15	PC100DZ-HSPG.W8-DIN-1	SPRING WASHER,TANG ENDS	22	0,05
01-16	PC100DZ-FN.B-M8x35-8.8-DIN-1	BOLT	3	0,10
01-17	PC100DZ-BT-1/4-10	HOSE NIPPLE	2	1,75
01-18	PC100DZ-CPT90P-070006	HOSE CLAMP	2	0,45
01-19	PC100DZ-CPT60W-010700-1	WATER PIPE	1	0,86
01-20	PC100DZ-QF-1/4-NI	VALVE	1	8,82
01-21	PC100DZ-BT-1/4	JOINT	1	1,76
01-22	PC100DZ-JT-ZG1/4	90° ELBOW	1	2,42
01-23	PC100DZ-CPT90P-070000A	WATER TANK	1	79,62
01-24	PC100DZ-FN.B-M10x35-8.8-DIN-1	BOLT	1	0,15
01-25	PC100DZ-WOD.W10-GB-1	WASHER	2	0,07
01-26	PC100DZ-ROL650-070200	WATER TANK CAP	1	38,92
01-27	PC100DZ-HC.N-M10-DIN-1	CAP NUT	1	0,20
01-28	PC100DZ-CPT90P-100000Z	WATER TANK FRAME	1	69,16
01-29	PC100DZ-FN.B-M8x25-8.8-DIN-1	BOLT	8	0,08
01-30	PC100DZ-CPT90P-090000Z	ENGINE BASE	1	94,80
01-31	PC100DZ-FN.B-M10x45-8.8-DIN-1	BOLT	1	0,16
01-32	PC100DZ-FN.N-M10-DIN-1	NUT	1	0,05
01-33	PC100DZ-K.RVT-3.2x7.1	RIVET	4	0,17
01-34	PC100DZ-D4-MP-P	NAMEPLATE	1	1,05
01-35	PC100DZ-CPT80-0408	CUSHION	2	3,89
01-36	PC100DZ-IN.N-M10-DIN-1	LOCK NUT	4	0,08
01-37	PC100DZ-FN.N-M8-DIN-1	NUT	2	0,03
01-38	PC100DZ-FN.B-M8x40-8.8-DIN-1	BOLT	2	0,11
01-39	PC100DZ-FN.B-M5x10-8.8-DIN-1	BOLT	4	0,05
01-40	PC100DZ-SPG.W5-DIN-1	SPRING WASHER	4	0,04
01-41	PC100DZ-ROL500S-010505	BUCKLE	1	7,17
01-42	PC100DZ-FN.B-M10x25-8.8-DIN-1	BOLT	2	0,14
01-43	PC100DZ-FN.W10-DIN-1	WASHER	2	0,05
01-44	PC100DZ-CPT60W-040100	WHEEL FRAME	1	48,80






01-45	PC100DZ-CPT60W-040200	WHEEL	2	13,59
01-46	PC100DZ-WOD.W8-GB-1	WASHER	6	0,04
01-47	PC100DZ-FN.B-M8x20-8.8-DIN-1	BOLT	2	0,07
01-48	PC100DZ-IN.N-M8-DIN-1	LOCK NUT	4	0,04
01-49	PC100DZ-W05-1B20-6	ENGINE	1	
01-50	PC100DZ-CPT90P-040400Y	INNER BELT GUARD	1	44,58
01-51	PC100DZ-FN.B-M8x16-8.8-DIN-1	BOLT	4	0,07
01-52	PC100DZ-CPT90P-040600Y	SEAL	1	12,31
01-53	PC100DZ-CPT80-0500E	CENTRIFUGAL CLUTCH	1	57,32
01-54	PC100DZ-W01-6006ZZ-J	BEARING	1	11,43
01-55	PC100DZ-CS.RG30	EXTERNAL CIRCLIP	1	0,20
01-56	PC100DZ-CPT40-0318	CLUTCH PULLEY	1	47,66
01-57	PC100DZ-CH.RG55	INTERNAL CIRCLIP	1	0,57
01-58	PC100DZ-TOL606-070101	WASHER	1	1,92
01-59	PC100DZ-FN.B-M8x60-8.8HALF-DIN-1	BOLT	1	0,17
01-60	PC100DZ-W02-A37	V-BELT	1	12,35
01-61	PC100DZ-CPT90P-040300Y	CONNECTION POLE	2	3,54
01-62	PC100DZ-CPT90P-040500Y	OUTER BELT GUARD	1	44,58
01-63	PC100DZ-CPT90P-110000Y	HANDLE	1	48,57
01-64	PC100DZ-CPT40-060300	HANDLE ABSORBER	2	13,66
01-65	PC100DZ-FN.B-M6x20-8.8-DIN-2	BOLT	2	0,04
01-66	PC100DZ-HSPG.W6-DIN-2	SPRING WASHER,TANG ENDS	2	0,04
01-67	PC100DZ-HC.N-M6-DIN-2	CAP NUT	2	0,05
01-68	PC100DZ-HC.N-M10-DIN-2	CAP NUT	1	0,28
01-69	PC100DZ-FNL.N-M10-DIN-2	HEXAGON THIN NUT	1	0,09
01-70	PC100DZ-RAM70ND-060000	THROTTLE LEVER	1	19,09
01-71	PC100DZ-FHSS.S-M6x8-GB-3	SOCKET SCREW WITH FLAT HEAD	1	0,09
01-72	PC100DZ-RAM70ND-060001	THROTTLE BODY	1	26,45
01-73	PC100DZ-W04-45x3	O-RING	1	3,91
01-74	PC100DZ-RAM70ND-060003	BOLT	1	10,76
01-75	PC100DZ-RAM70ND-060002	THROTTLE GEAR	1	21,57
01-76	PC100DZ-FHSS.S-M8x20-GB-3	SOCKET SCREW WITH FLAT HEAD	1	0,14
01-77	PC100DZ-RAM70ND-060004	SLIDER	1	6,35
01-78	PC100DZ-FNL.N-M8-DIN-2	HEXAGON THIN NUT	2	0,09
01-79	PC100DZ-HC.N-M8-DIN-2	CAP NUT	1	0,14
01-80	PC100DZ-FN.W10-DIN-2	WASHER	2	0,05
01-81	PC100DZ-W06-S04-L1100x1300	THROTTLE CABLE	1	42,06
01-82	PC100DZ-RAM70ND-010018	THROTTLE LEVER ASSY	1	73,49
01-83	PC100DZ-60-010300.3	NYLON BUSH		12,74

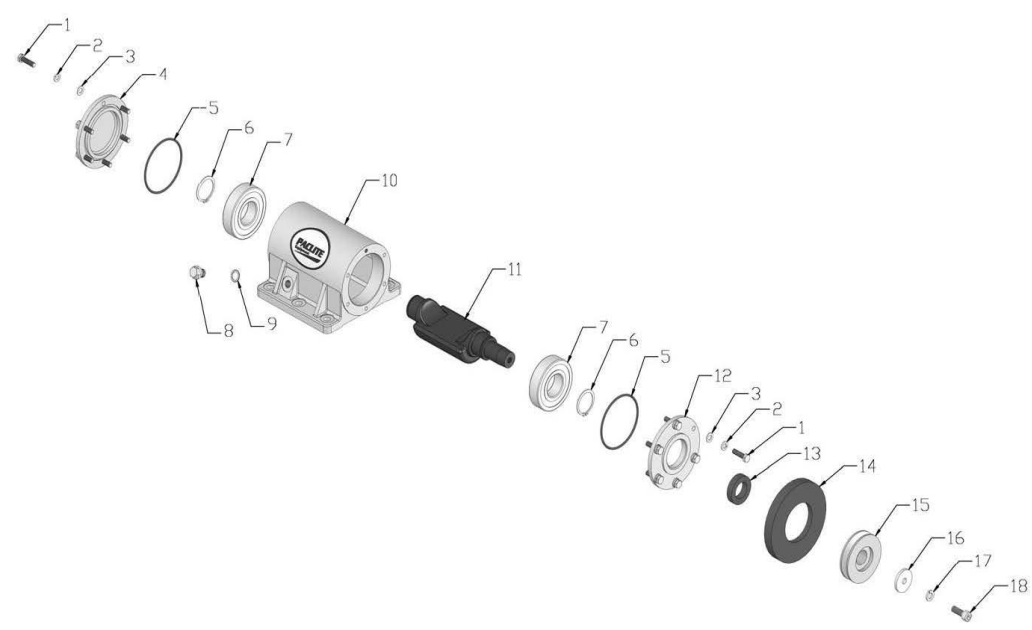


Drawn	C. J	Model	PC100DZ	Drawing No.	PC100DZ-01-A
Checked		Description	MAIN FRAME ASSY		
Approved		Date	2008.03.10		

PC100 HATZ-02 EXCITER HOUSING ASSY.

NO.	PART NO.	PART DESCRIPTION	QTY	UNIT PRICE EURO & USD 2015
02-1	PC100DZ-FN.B-M8x30-8.8-DIN-1	BOLT	12	0,08
02-2	PC100DZ-HSPG.W8-DIN-1	SPRING WASHER,TANG ENDS	12	0,04
02-3	PC100DZ-FN.W8-DIN-2	WASHER	12	0,04
02-4	PC100DZ-CPT90P-020400	CLOSE COVER	1	14,15
02-5	PC100DZ-W04-90x3.5	O RING	2	0,81
02-6	PC100DZ-CS.RG40	EXTERNAL CIRCLIP	2	0,17
02-7	PC100DZ-W01-6308ZZC3E-J	BEARING	2	34,04
02-8	PC100DZ-HHOS.B-M14x1.5	HEXAGON HEAD PLUG	1	1,09
02-9	PC100DZ-GB97.1-M14	CUPRUM WASHER	1	0,25
02-10	PC100DZ-CPT90P-020100P	EXCITER HOUSING	1	199,04
02-11	PC100DZ-CPT90P-020200A	EXCITER SHAFT	1	84,92
02-12	PC100DZ-CPT90P-020300	COVER	1	20,56
02-13	PC100DZ-W03-50x30x12	OIL SEAL	1	1,13
02-14	PC100DZ-CPT90P-020500	COVER GUARD	1	16,14
02-15	PC100DZ-CPT40-060200	EXCITER PULLEY	1	30,50
02-16	PC100DZ-CPT80-0303	PULLEY WASHER	1	1,14
02-17	PC100DZ-HSPG.W10-DIN-1	SPRING WASHER,TANG ENDS	1	0,03
02-18	PC100DZ-CPT90B-010800	VENT SCREW	1	0,58



Drawn	L. C	Model	PC100DZ	Drawing No.	PC100DZ-02
Checked		Description	EXCITING HOUSING ASSY		
Approved		Date	2010.11.30		