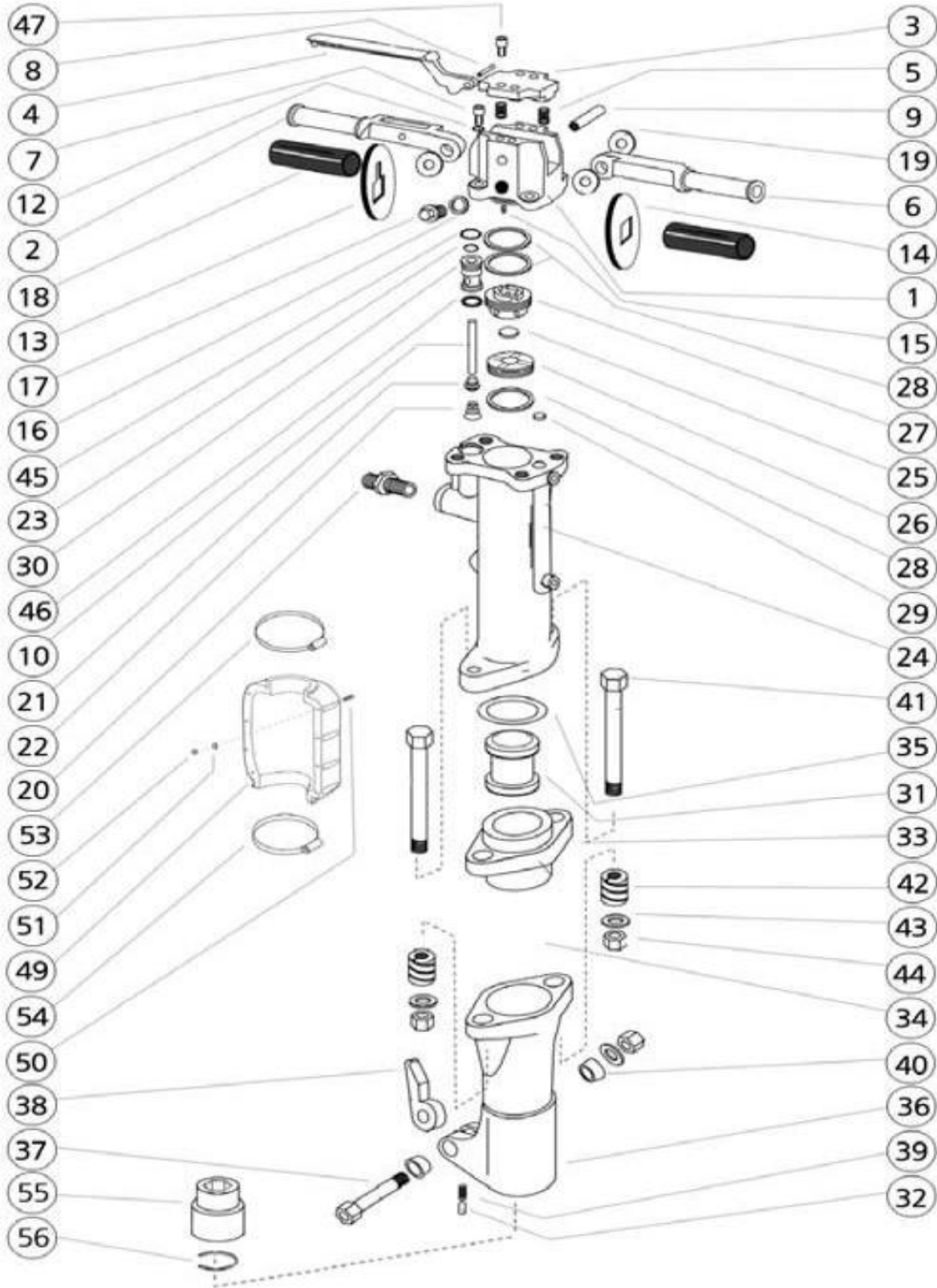


PAC-TEC29HAV

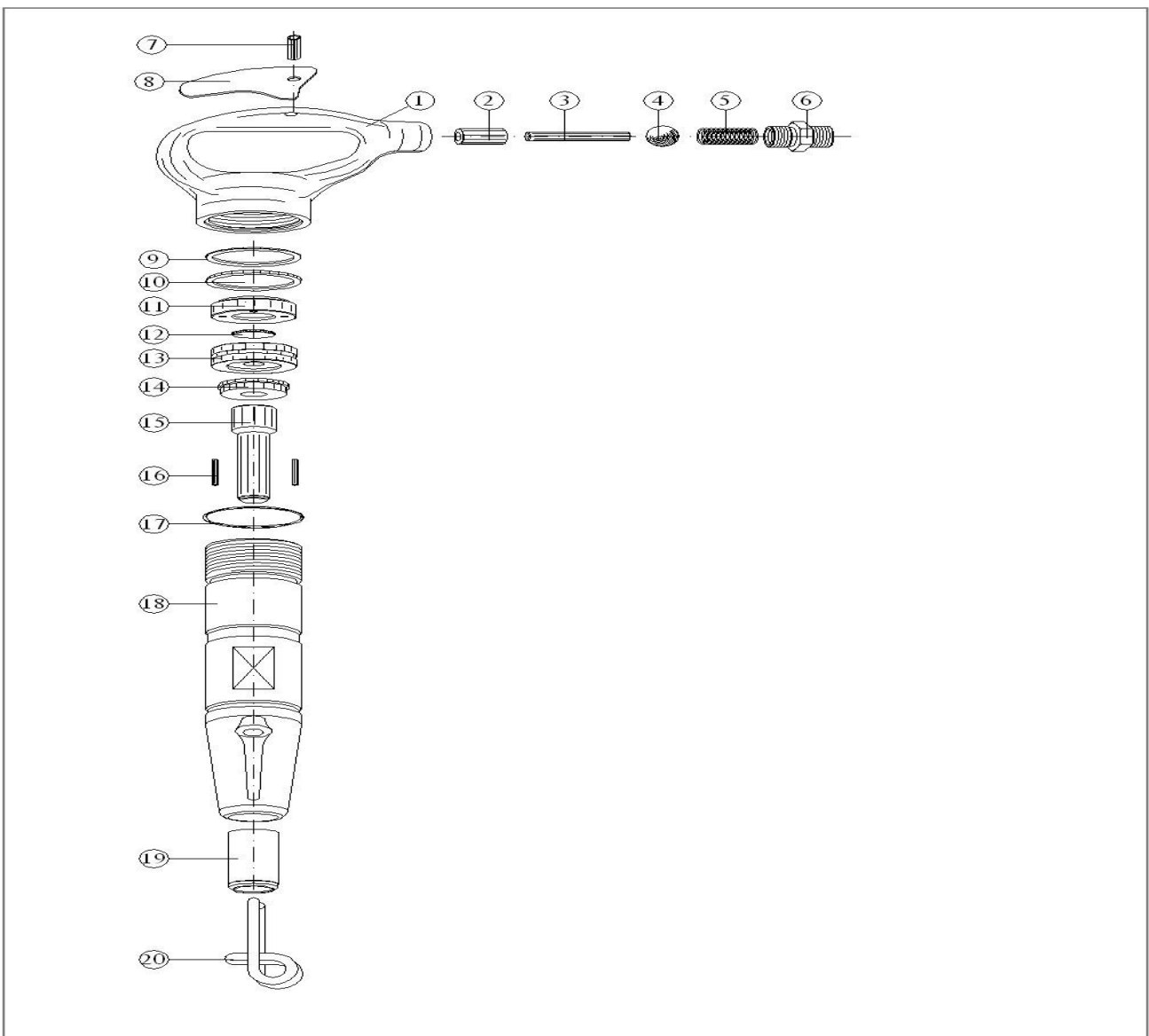
Tool Type	Stock Reference	Position	Description	2015 List/ €
28SVRT	435210	39	Retainer Spring	30,08
28SVRT	435220	32	Retainer Punger	30,08
28SVRT	435230	40	Retainer Bolt Bush	12,76
28SVRT	435240	37	Retainer Bolt	48,24
28SVRT	435270	38	Retainer	165,78
28SVRT	805620	44	Nut	17,68
28SVRT	805621	43	Washer	2,32
28SVRT	906004	53	Jublee Clip	17,36
28SVRT	906005	54	Jublee Clip	18,56
28SVRT	908201	N/A	Coupling	31,60
28SVRT	910104	50	Capscrew	3,00
28SVRT	0010025	34	Tappet	200,58
28SVRT	003023	16	Oil Plug Gasket	5,76
28SVRT	003024	17	Oil Plug	59,19
28SVRT	005015	23	Throttle Valve Stem Seal	2,24
28SVRT	007005	18	Rubber Grip	29,32
28SVRT	007006	28	Seal	2,88
28SVRT	007013	45	Throttle Valve Casing Seal	2,88
28SVRT	007022	26	Valve Seat	162,45
28SVRT	007047	27	Valve Block	174,08
28SVRT	023055	35	Tappet Bush Seal	33,52
28SVRT	029009	52	Nut	1,28
28SVRT	029013	51	Washer	0,24
28SVRT	030618	15	Oilet Bush Assembly	80,25
28SVRT	057027	29	Kickport Plug	39,36
28SVRT	060005	30	Throttle Valve Casing	92,49
28SVRT	060008	46	Seal	1,40
28SVRT	061035b	25	Valve	32,10
28SVRT	061102	2	Right Side Handle	271,23
28SVRT	061104	4	Throttle Lever	141,00
28SVRT	061106	6	Left Handle	133,23
28SVRT	061108	8	Throttle Lever Pin	3,24
28SVRT	061109	9	Handle Locating Pin	28,24
28SVRT	061110	10	Throttle Valve Stem	62,85
28SVRT	061117	21	Throttle Valve	45,72
28SVRT	061118	22	Throttle Valve Spring	14,56
28SVRT	061123	20	Inlet Connection	118,32
28SVRT	061124	19	Spacer washer	8,68
28SVRT	061128	7	Back head Bolt / Nut / Spacer	34,89
28SVRT	062008	42	Side Rod Spring	126,88
28SVRT	062009	5	Handle Support Ring	19,48
28SVRT	066003	3	Top Cap	158,43
28SVRT	066005	31	Piston	206,80
28SVRT	066006	41	Side Rod	43,44
28SVRT	066009	13	Right Finger Guard	22,44
28SVRT	066010	14	Left Finger Guard	22,40
28SVRT	066011	49	Silencer Complete	421,30
28SVRT	067001	33	Tappet Bush	433,68

28SVRT	070019	36	28mm Chuck Housing	1 040,68
28SVRT	070021	N/A	Handle End Plug	33,08
28SVRT	070039	36	32mm Chuck Housing	1 040,68
28SVRT	070041	56	Snap Ring	12,36
28SVRT	070042	55	Chuck Insert 32mm	40,92
28SVRT	061127	7	Back head Bolt / Nut / Spacer	6,60
28SVRT	061129	7	Back head Bolt / Nut / Spacer	7,16



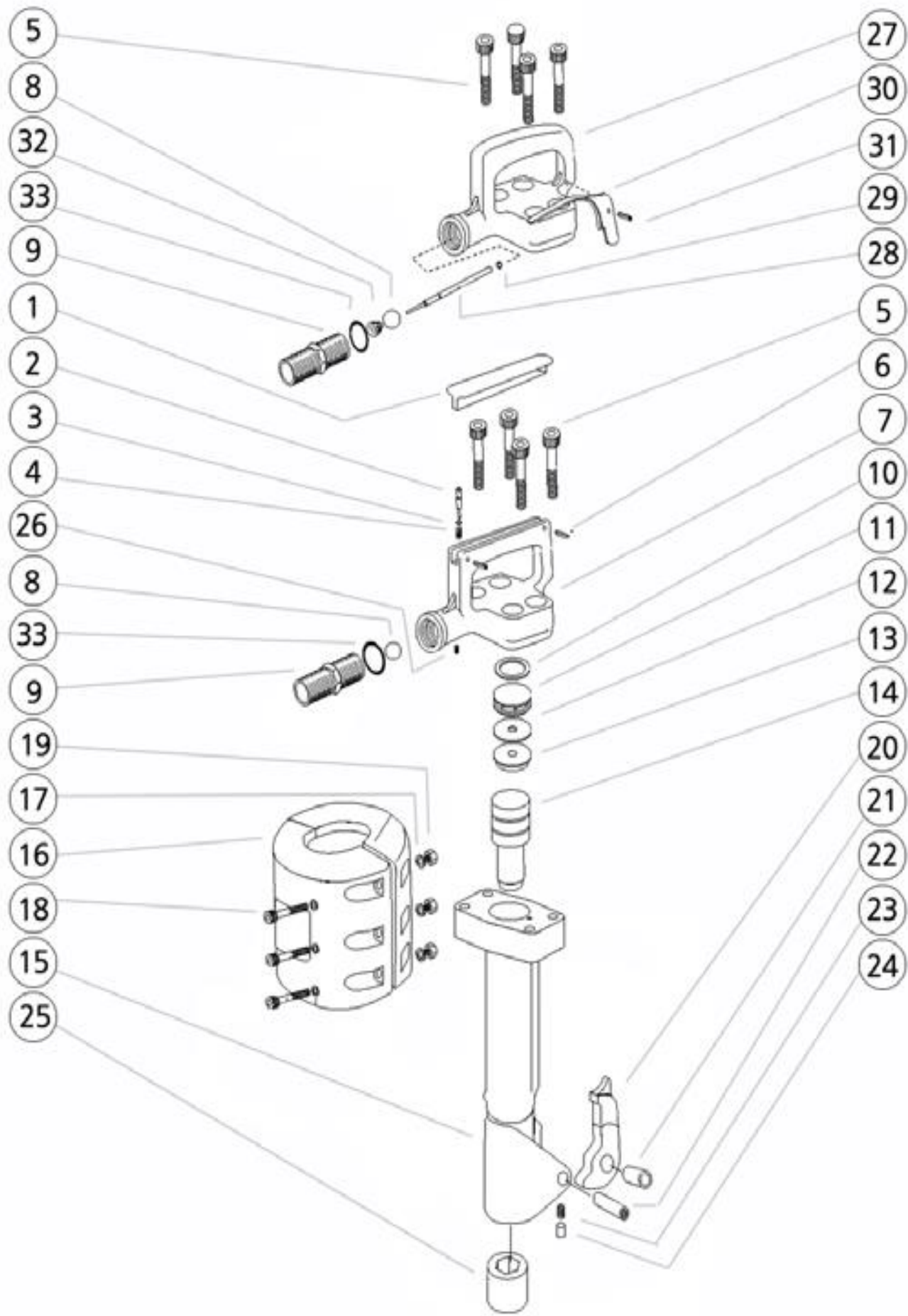
PAC-TEC05

Tool Type	Stock Reference	Position	Description	2015 List/ €
DM5	176162	9	O RING	53,97
DM5	176170	2	BUSHING	71,73
DM5	176171	3	BUSHING PUSH ROD	28,08
DM5	176174	5	SPRING THROTTLE VALVE	18,99
DM5	176175	6	BUSHING INLET	131,86
DM5	176176	7	PIN LEVER/TRIGGER	17,64
DM5	176177	8	LEVER/TRIGGER	61,76
DM5	176178	4	TV BALL DM3/5	29,77
DM5	176179	17	O RING DM5	39,31
DM5	176273	15	PISTON	223,03
DM5	176274	12	DISC VALVE	52,95
DM5	176275	11	PLATE VALVE UPPER	311,62
DM5	176276	13	PLATE VALVE LOWER	311,62
DM5	176277	14	BUMPER PLASTIC VALVE	37,19
DM5	176278	16	PIN DOWEL	24,55
DM5	176280	10	PACKING	36,43
DM5	176290	20	SPRING RETAINER DM5	152,87



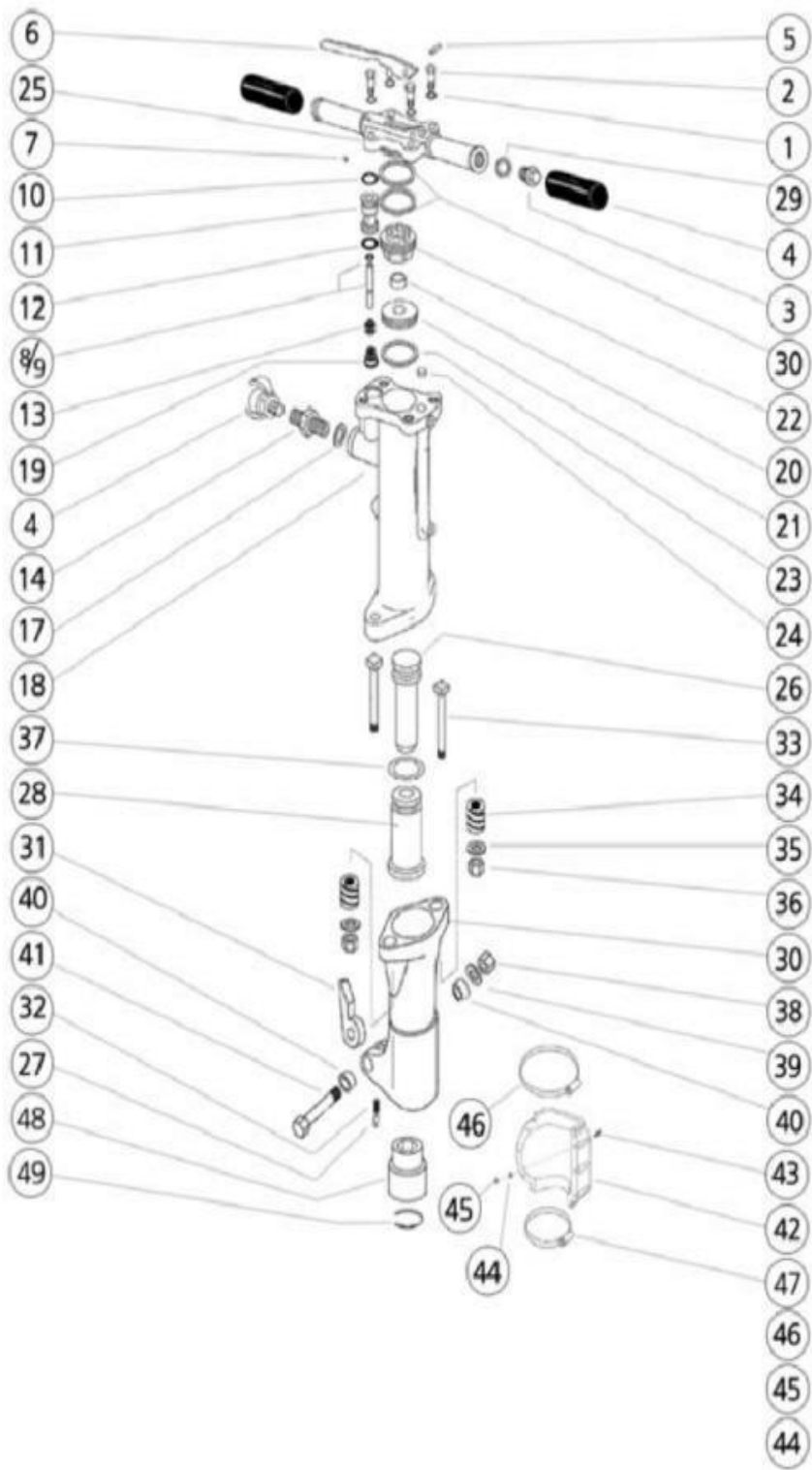
PAC-TEC11

Tool Type	Stock Reference	Position	Description	2015 List/ €
DM11S	005005	29	THROTTLE VALVE PIN SEAL	1,50
DM11S	153002	25	TOOL BUSHING	322,79
DM11S	153004	21	LATCH BUSHING (162016/162017)	71,25
DM11S	153018	23	RETAINER LATCH PLUNGER SPRING	30,20
DM11S	153022	10	VALVE CASE PRELOAD PAD	27,58
DM11S	156008	14	PISTON	296,72
DM11S	162001	7	HANDLE (STANDARD)	639,85
DM11S	162003	20	LATCH RETAINER	165,81
DM11S	162008	6	THROTTLE LEVER PIN	5,31
DM11S	162009	2	THROTTLE VALVE PIN	36,44
DM11S	162010	4	THROTTLE SPRING (COMPRESSION)	22,27
DM11S	162011	5	CAPSCREW 5/8 UNF X 2 LONG	54,29
DM11S	162012	16	SILENCER DM11	314,07
DM11S	162014	26	KICKPORT SCREW (socket head m8* 8m long)	6,60
DM11S	162020	33	O RING SEAL	4,49
DM11S	162030	27	HANDLE (INSIDE TRIGGER)	639,85
DM11S	162035	11	VALVE BLOCK	119,18
DM11S	162036	13	VALVE SEAT	108,39
DM11S	162073	1	THROTTLE LEVER (DM11 VRS)	140,04
DM11S	163015	24	RETAINER PLUNGER	19,53
DM11S	167004	12	VALVE	43,30
DM11S	167032	N/A	SILENCER (DM12VRS)	426,24
DM11S	203037	22	RETAINING PIN	31,01
DM11S	301002	30	THROTTLE LEVER	98,93
DM11S	901081	9	3/4 B.S.P PAR X 3/4 B.S.P.TAPER	88,44
DM11S	023014	8	THROTTLE VALVE BALL 5/8 DIA NYLON	39,63
DM11S	030012	32	THROTTLE VALVE SPRING	7,25
DM11S	001006	N/A	O RING SEAL	2,51
DM11S	029009	19	M6 NYLOC NUT	1,30
DM11S	029013	17	WASHER M6	0,23
DM11S	910101	18	CAPSCREW M6 x 35	1,29



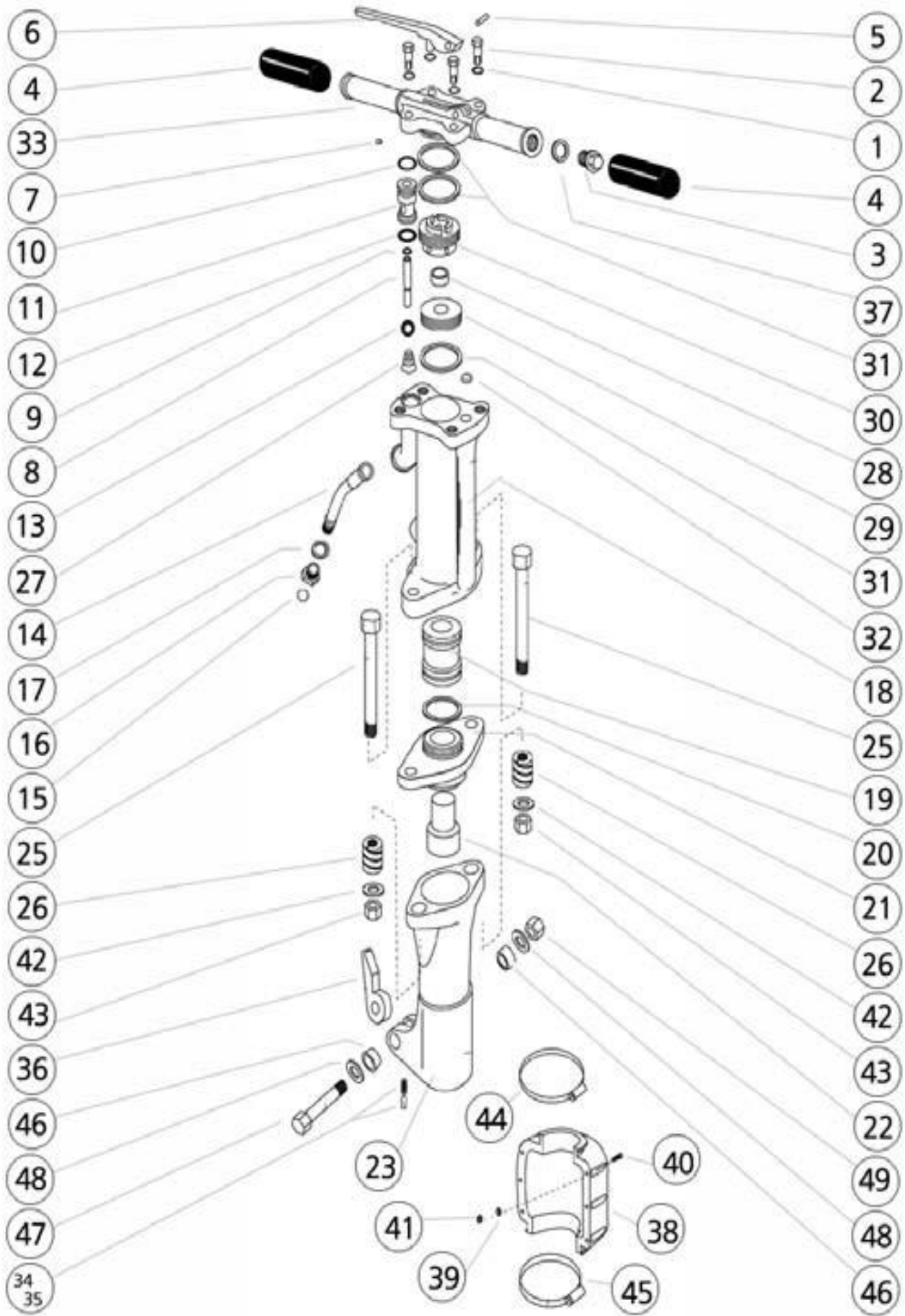
PAC-TEC21

Tool Type	Stock Reference	Position	Description	2015 List/ €
21CLS	001006	9	O RING SEAL	2,51
21CLS	003023	29	SEALING WASHER	5,75
21CLS	003024	3	OIL PLUG C/W 003023 GASKET	59,19
21CLS	005025		SWIVEL AIR CONNECTION O RING	6,33
21CLS	007002	6	THROTTLE LEVER	85,35
21CLS	007003	5	THROTTLE LEVER PIVOT PIN	12,80
21CLS	007005	4	HANDLE GRIP	29,32
21CLS	007006	30	O RING SEAL	2,90
21CLS	007013	10	SEAL	2,90
21CLS	007022	21	VALVE SEAT (METAL)	162,46
21CLS	007047	22	VALVE BLOCK (METAL)	174,07
21CLS	023014	13	THROTTLE VALVE BALL 5/8 DIA NYLON	39,63
21CLS	023055	37	TAPPET BUSHING SEAL	33,54
21CLS	029009	45	M6 NYLOC NUT	1,30
21CLS	029013	44	WASHER M6	0,23
21CLS	030618	7	OILITE PLUG CARRIER	80,25
21CLS	057027	24	KICKPORT PLUG	39,38
21CLS	057048	34	SIDE ROD SPRING COMPRESSION	130,96
21CLS	060005	11	THROTTLE VALVE CASING	92,49
21CLS	060008	12	O RING SEAL - 19.1 ID X 1.6 SECTION	1,40
21CLS	060012	8	THROTTLE VALVE PIN	60,29
21CLS	061002	25	HANDLE	699,44
21CLS	061003	28	LINER	425,42
21CLS	061007	26	PISTON	434,38
21CLS	061018	33	SIDE ROD (LONG)	34,80
21CLS	061019	36	SIDE ROD NYLOC NUT	5,57
21CLS	061025	19	21 BKR T.VALVE SPRING	19,03
21CLS	061035	20	VALVE	32,09
21CLS	061608	42	SILENCER COMPLETE (21 & 24)	406,47
21CLS	070013	1	EURO BREAKER CHUCK HOUSING (1 1/4)	1 040,68
21CLS	203026	1	LOCK WASHER - 1/2 BORE	0,63
21CLS	203045	35	WASHER 5/8" BORE BRIGHT STEEL	1,50
21CLS	242044	2	1/2UNC x 1.1/4 HEX HEAD BOLT	6,04
21CLS	435210	32	STEEL RETAINER SPRING (T43521)	8,40
21CLS	435220	27	STEEL RETAINER PLUNGER (T43522)	30,07
21CLS	435230	40	RETAINER BOLT BUSH (T43523)	12,76
21CLS	435240	41	RETAINER BOLT (T43524) REF RZ12100T	48,24
21CLS	435270	31	STEEL RETAINER (T43527)	165,77
21CLS	805620	38	RETAINER BOLT NUT 3/4" DIA UNC	17,69
21CLS	805621	39	RETAINER BOLT WASHER	2,32
21CLS	906004	46	HOSE CLIP - JUBILEE SIZE 4	17,35
21CLS	906005	47	HOSE CLIP - ZINC FINISH (size 5)	18,56
21CLS	910101	43	CAPSCREW M6 x 35	1,29
21CLS	061123B	14	INLET CONNECTION	118,31



PAC-TEC32

Tool Type	Stock Reference	Position	Description	2015 List/ €
284S	001014	15	SWIVEL AIR CONN. NUT O RING	1,40
284S	007001	33	HANDLE	699,49
284S	007007	2	5/8UNC x 1.3/4 HEX HEAD BOLT	8,82
284S	007024	19	HAMMER	281,42
284S	007025	1	SERRATED LOCK WASHER- S241713	11,73
284S	030006	32	PLUG	17,65
284S	030009	8	7.62MACD 28/39 T.V STEM	59,46
284S	030012	27	THROTTLE VALVE SPRING	7,25
284S	030015	11	THROTTLE VALVE BUSH	95,86
284S	030044	21	TAPPET BUSHING (FORGED)	321,72
284S	030045	14	SWIVEL AIR CONNECTION	115,32
284S	030046	16	SWIVEL AIR CONNECTION NUT	112,92
284S	030609	38	SILENCER COMPLETE 284 / 344	406,47
284S	036010	26	COMPRESSION SPRING	121,21
284S	036011	25	SIDE ROD	58,72
284S	036012	43	NYLOC NUT - 7/8 DIA UNC	11,84
284S	036013	42	PLAIN WASHER	6,03
284S	036014	23	CHUCK HSG. 1 1/8 CEN.LATCH	1 259,86
284S	036015	23	CHUCK HOUSING 1 1/4 CENT.LATCH	947,47
284S	504035	12	O RING SEAL	2,90
284S	906013	45	HOSE CLIP - GRIP 110 - 140 size6	24,33
284S	910104	40	CAPSCREW M6 x 40	3,00
284S	001025L	22	TAPPET (LONG)	220,19
284S	007002	6	THROTTLE LEVER	85,35
284S	007005	4	HANDLE GRIP	29,32
284S	030618	7	OILITE PLUG CARRIER	80,25
284S	007013	10	SEAL	2,90
284S	001006	9	O RING SEAL	2,51
284S	023014	13	THROTTLE VALVE BALL 5/8 DIA NYLON	39,63
284S	005025	17	SWIVEL AIR CONNECTION O RING	6,33
284S	435270	36	STEEL RETAINER (T43527)	165,77
284S	435230	46	RETAINER BOLT BUSH (T43523)	12,76
284S	805621	48	RETAINER BOLT WASHER	2,32
284S	435240	47	RETAINER BOLT (T43524) REF RZ12100T	48,24
284S	435210	34	STEEL RETAINER SPRING (T43521)	8,40
284S	435220	35	STEEL RETAINER PLUNGER (T43522)	30,07
284S	029013	39	WASHER M6	0,23
284S	029009	41	M6 NYLOC NUT	1,30
284S	007003	5	THROTTLE LEVER PIVOT PIN	12,80
284S	003024	3	OIL PLUG C/W 003023 GASKET	59,19
284S	003023	37	SEALING WASHER	5,75
284S	007006	31	O RING SEAL	2,90
284S	007047	30	VALVE BLOCK (METAL)	174,07
284S	061035	28	VALVE	32,09
284S	007022	29	VALVE SEAT (METAL)	162,46
284S	023055	20	TAPPET BUSHING SEAL	33,54
284S	805620	49	RETAINER BOLT NUT 3/4" DIA UNC	17,69
284S	906005	44	HOSE CLIP - ZINC FINISH (size 5)	18,56



PAC-TEC24HAV

Tool Type	Stock Reference	Position	Description	2015 List/ €
24VRS	061003	35	LINER	425,42
24VRS	060013	N/A	PRESSURE PLUG	4,18
24VRS	061101	1	BACKHEAD 28SVRT ORIGINAL	999,13
24VRS	061104	4	THROTTLE LEVER	141,00
24VRS	061106	6	LEFT SIDE HANDLE	133,21
24VRS	061108	8	THROTTLE LEVER PIN	3,25
24VRS	061109	9	HANDLE LOCATING PIN	28,24
24VRS	061110	10	THROTTLE VALVE PIN	62,85
24VRS	061112	12	BACKHEAD WASHER SERRATED REF S1913711	6,26
24VRS	061117	23	THROTTLE VALVE	45,72
24VRS	061119	N/A	24VR COMPRESSION SPRING ZINC PLATED	8,75
24VRS	061124	21	WASHER BMS M16 I/D X 27MM O/D X 1.8MM T	8,70
24VRS	061125	54	SOCKET HEAD CAPSCREW 1/2 UNC X 1 1/2 LON	8,46
24VRS	066009	14	RIGHT FINGER GUARD (REV C)	22,45
24VRS	066010	15	LEFT FINGER GUARD	22,40
24VRS	070039	36	1-1/4 CHUCK HOUSING, DAMPED	1 040,67
24VRS	061118S	24	VRS2 NEW SPRING CONICAL(ST.ST.)	14,55
24VRS	007005	19	HANDLE GRIP	29,32
24VRS	003024	18	OIL PLUG C/W 003023 GASKET	59,19
24VRS	003023	17	SEALING WASHER	5,75
24VRS	007013	20	SEAL	2,90
24VRS	060005	32	THROTTLE VALVE CASING	92,49
24VRS	060008	45	O RING SEAL - 19.1 ID X 1.6 SECTION	1,40
24VRS	061007	33	PISTON	434,38
24VRS	023055	43	TAPPET BUSHING SEAL	33,54
24VRS	435270	37	STEEL RETAINER (T43527)	165,77
24VRS	435240	44	RETAINER BOLT (T43524) REF RZ12100T	48,24
24VRS	435220	38	STEEL RETAINER PLUNGER (T43522)	30,07
24VRS	030618	16	OILITE PLUG CARRIER	80,25
24VRS	007006	30	O RING SEAL	2,90
24VRS	007047	29	VALVE BLOCK (METAL)	174,07
24VRS	061035	27	VALVE	32,09
24VRS	007022	28	VALVE SEAT (METAL)	162,46
24VRS	057027	31	KICKPORT PLUG	39,38
24VRS	906004	51	HOSE CLIP - JUBILEE SIZE 4	17,35
24VRS	029009	50	M6 NYLOC NUT	1,30
24VRS	029013	49	WASHER M6	0,23
24VRS	061608	47	SILENCER COMPLETE (21 & 24)	406,47
24VRS	906005	52	HOSE CLIP - ZINC FINISH (size 5)	18,56
24VRS	910101	48	CAPSCREW M6 x 35	1,29
24VRS	057048	40	SIDE ROD SPRING COMPRESSION	130,96
24VRS	203045	41	WASHER 5/8" BORE BRIGHT STEEL	1,50
24VRS	061019	42	SIDE ROD NYLOC NUT	5,57
24VRS	435230	43	RETAINER BOLT BUSH (T43523)	12,76
24VRS	435210	43	STEEL RETAINER SPRING (T43521)	8,40

