

MAXLIGHT230V-01 MAIN FRAME ASSY

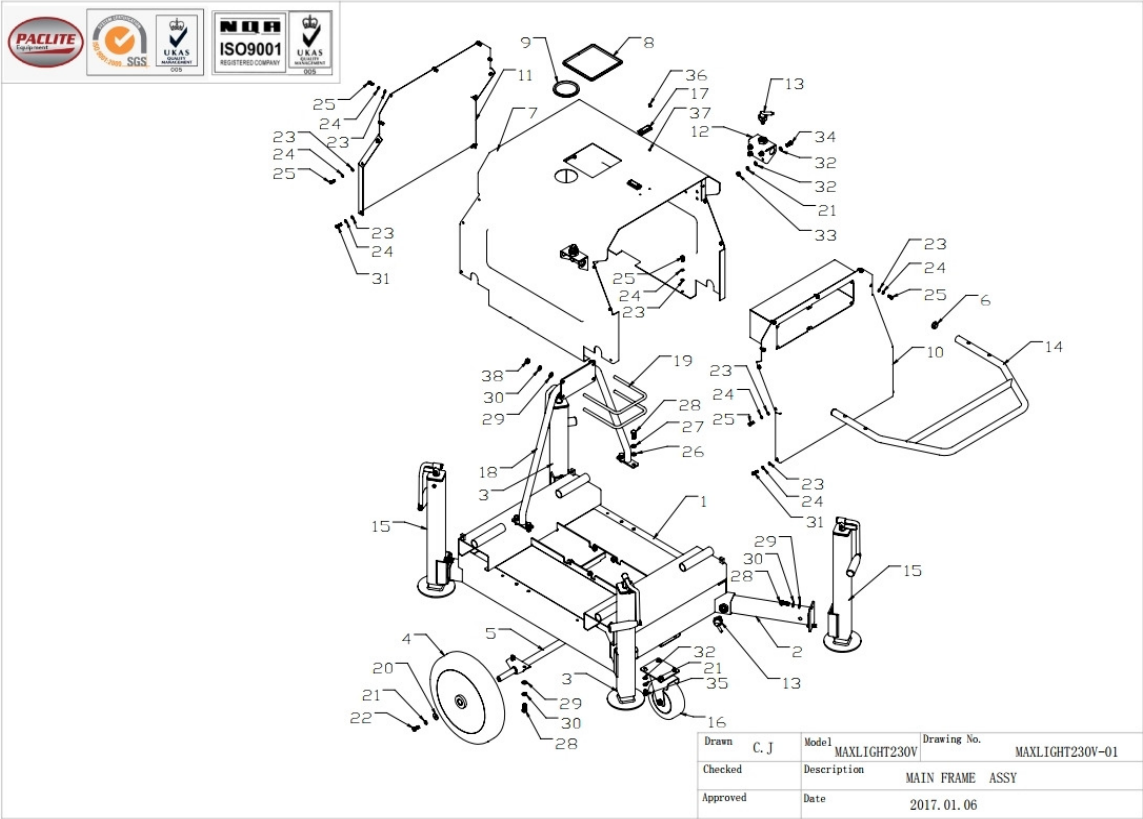


NO.	PART NO.	PART DESCRIPTION	QTY	List Price €
01-1	MAXLIGHT230V-7-640L-010100	FRAME	1	
01-2	MAXLIGHT230V-7-640L-010700	TUBULAR FOR STABILIZER	4	
01-3	MAXLIGHT230V-7-640L-010800B	STABILIZER	2	
01-4	MAXLIGHT230V-7-640L-011200	FRONT WHEEL	2	
01-5	MAXLIGHT230V-7-640L-011100	AXLE	1	
01-6	MAXLIGHT230V-7-640L-011700	ROUND RIBBED INSERTS	2	3,20 €
01-7	MAXLIGHT230V-7-640L-010200	COVER	1	
01-8	MAXLIGHT230V-7-640L-011500	EDGE PROTECTOR	1	29,45 €
01-9	MAXLIGHT230V-7-640L-011600	EDGE PROTECTOR	1	12,75 €
01-10	MAXLIGHT230V-7-640L-010300	REAR COVER	1	
01-11	MAXLIGHT230V-7-640L-010500	FRONT COVER	1	
01-12	MAXLIGHT230V-7-640L-010900	HANDLE BRACKET	2	
01-13	MAXLIGHT230V-8-4K-011900	LOCKPIN	6	93,88 €
01-14	MAXLIGHT230V-7-640L-011000	HANDLE	1	
01-15	MAXLIGHT230V-7-640L-010800A	STABILIZER	2	
01-16	MAXLIGHT230V-7-640L-011300	REAR WHEEL	1	
01-17	MAXLIGHT230V-8-4K-012200	SPIRIT LEVEL	2	14,60 €
01-18	MAXLIGHT230V-7-640L-010600	MAST SUPPORT	1	
01-19	MAXLIGHT230V-7-640L-011400	"U"-BOLT	2	
01-20	MAXLIGHT230V-WOD.W8-GB-2	WASHER	2	0,40 €
01-21	MAXLIGHT230V-HSPG.W8-DIN-2	SPRING WASHER,TANG ENDS	14	0,30 €
01-22	MAXLIGHT230V-FN.B-M8x20-8.8-DIN-1	BOLT	2	0,40 €
01-23	MAXLIGHT230V-FN.W6-DIN-2	WASHER	26	0,35 €
01-24	MAXLIGHT230V-HSPG.W6-DIN-2	SPRING WASHER,TANG ENDS	26	0,30 €
01-25	MAXLIGHT230V-FN.B-M6x16-8.8-DIN-2	BOLT	22	0,35 €
01-26	MAXLIGHT230V-FN.W10-DIN-1	WASHER	4	0,30 €
01-27	MAXLIGHT230V-HSPG.W10-DIN-1	SPRING WASHER,TANG ENDS	4	0,35 €
01-28	MAXLIGHT230V-FN.B-M10x25-8.8-DIN-2	BOLT	20	0,35 €
01-29	MAXLIGHT230V-FN.W10-DIN-2	WASHER	16	0,30 €
01-30	MAXLIGHT230V-HSPG.W10-DIN-2	SPRING WASHER,TANG ENDS	16	0,35 €
01-31	MAXLIGHT230V-FN.B-M6x20-8.8-DIN-2	BOLT	4	0,35 €
01-32	MAXLIGHT230V-FN.W8-DIN-2	WASHER	20	0,30 €
01-33	MAXLIGHT230VL-FN.N-M8-DIN-2	NUT	8	0,40 €
01-34	MAXLIGHT230V-FN.B-M8x20-8.8-DIN-2	BOLT	8	0,40 €
01-35	MAXLIGHT230V-FN.B-M8x16-8.8-DIN-2	BOLT	4	0,40 €
01-36	MAXLIGHT230V-PAN.S-M4x10-GB-2	PAN HEAD SCREW	4	0,35 €
01-37	MAXLIGHT230-FN.N-M4-DIN-2	NUT	4	0,40 €
01-38	MAXLIGHT230V-FN.N-M10-DIN-2	NUT	4	0,40 €

MAXLIGHT230V-01 MAIN FRAME ASSY



NO.	PART NO.	PART DESCRIPTION	QTY	List Price €uro
-----	----------	------------------	-----	-----------------



MAXLIGHT230V-01 MAIN FRAME ASSY



NO.	PART NO.	PART DESCRIPTION	QTY	List Price €uro
-----	----------	------------------	-----	-----------------

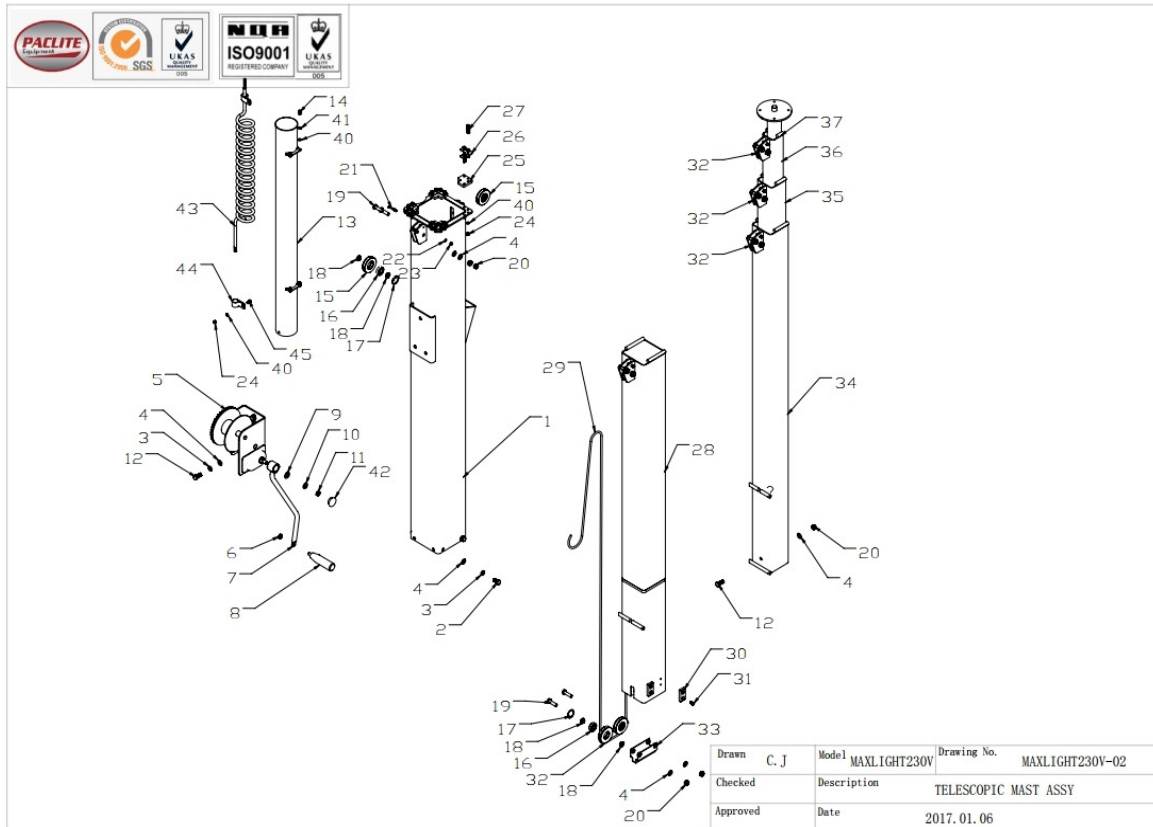
MAXLIGHT230V-02 TELESCOPIC MAST ASSY

NO.	PART NO.	PART DESCRIPTION	QTY	List Price €uro
02-1	MAXLIGHT230V-7-640L-020100	FIRST MAST	1	
02-2	MAXLIGHT230V-FN.B-M10x20-8.8-DIN-2	BOLT	4	0,40 €
02-3	MAXLIGHT230V-HSPG.W10-DIN-2	SPRING WASHER,TANG ENDS	7	0,35 €
02-4	MAXLIGHT230V-FN.W10-DIN-2	WASHER	25	0,30 €
02-5	MAXLIGHT230V-8-4K-021900	WINCH	1	194,85 €
02-6	MAXLIGHT230V-FNL.N-M10-DIN-2	HEXAGON THIN NUT	1	0,40 €
02-7	MAXLIGHT230V-7-640L-020800	HANDLE ROD	1	- €
02-8	MAXLIGHT230V-16-000009	HANDLE	1	18,00 €
02-9	MAXLIGHT230V-FN.W12-DIN-2	WASHER	1	1,40 €
02-10	MAXLIGHT230V-HSPG.W12-DIN-2	SPRING WASHER,TANG ENDS	1	0,30 €
02-11	MAXLIGHT230V-FNL.N-M12-DIN-1	THIN NUT	1	0,40 €
02-12	MAXLIGHT230V-FN.B-M10x25-8.8-DIN-2	BOLT	7	0,35 €
02-13	MAXLIGHT230V-7-640L-020700	CONDUIT	1	- €
02-14	MAXLIGHT230V-FN.B-M6x10-8.8-DIN-2	BOLT	4	0,40 €
02-15	MAXLIGHT230V-8-4K-021100	PULLEY A	2	44,36 €
02-16	MAXLIGHT230V-W01-6002LLU-J	BEARING	8	35,15 €
02-17	MAXLIGHT230V-CH.RG32	INTERNAL CIRCLIP	8	1,80 €
02-18	MAXLIGHT230V-8-4K-021300	BUSH	16	12,35 €
02-19	MAXLIGHT230V-FN.B-M10x40-8.8HALF-DIN-2	BOLT	12	0,45 €
02-20	MAXLIGHT230V-IN.N-M10-DIN-2	LOCK NUT	18	0,35 €
02-21	MAXLIGHT230V-FN.B-M5x35-8.8HALF-DIN-2	BOLT	6	1,30 €
02-22	MAXLIGHT230V-FN.W5-DIN-2	WASHER	6	0,35 €
02-23	MAXLIGHT230V-IN.N-M5-DIN-2	LOCK NUT	6	0,35 €
02-24	MAXLIGHT230V-IN.N-M6-DIN-2	LOCK NUT	17	0,35 €
02-25	MAXLIGHT230V-8-4K-021400	UPPER ANGULAR FOR MAST	4	43,75 €
02-26	MAXLIGHT230V-8-4K-021500	BLOCKING PLATE	4	49,55 €
02-27	MAXLIGHT230V-FN.B-M6x30-8.8-DIN-2	BOLT	16	0,35 €
02-28	MAXLIGHT230V-8-4K-020200	2nd MAST	1	242,98 €
02-29	MAXLIGHT230V-8-4K-022300	STEEL CABLE	1	78,65 €
02-30	MAXLIGHT230V-FN.B-M10x55-8.8HALF-DIN-2	BOLT	2	1,45 €
02-31	MAXLIGHT230V-8-4K-021600	NYLON DOWEL	4	31,45 €
02-32	MAXLIGHT230V-HSF.S-M6x16-8.8-DIN-2	SOCKET COUNTERSUNK HEAD SCRE	8	0,55 €
02-33	MAXLIGHT230V-8-4K-021200	PULLEY B	6	42,00 €
02-34	MAXLIGHT230V-8-4K-021700	LIMIT PLATE FOR STEEL CABLE	1	85,44 €
02-35	MAXLIGHT230V-8-4K-020300	3rd MAST	1	193,08 €
02-36	MAXLIGHT230V-8-4K-020400	4th MAST	1	155,25 €
02-37	MAXLIGHT230V-8-4K-020500	5th MAST	1	130,75 €
02-38	MAXLIGHT230V-7-640L-020600	6th MAST	1	- €
02-39	MAXLIGHT230V-8-4K-022100	STEEL CABLE	1	40,44 €
02-40	MAXLIGHT230V-8-4K-022200	STEEL CABLE	3	40,44 €

MAXLIGHT230V-01 MAIN FRAME ASSY



NO.	PART NO.	PART DESCRIPTION	QTY	List Price €uro
02-41	MAXLIGHT230V-FN.W6-DIN-2	WASHER	21	0,35 €
02-42	76 865,00 €	SPRING WASHER,TANG ENDS	4	0,30 €
02-43	MAXLIGHT230V-8-4K-023000	PLASTIC CAP	1	3,05 €
02-44	MAXLIGHT230V-8-4K-051700	SPRING CABLE	1,00 €	380,24 €
02-45	MAXLIGHT230V-8-4K-051800	R-CLAMP	2,00 €	7,90 €
02-46	MAXLIGHT230V-FN.B-M6x12-8.8-DIN-2	BOLT	1,00 €	0,35 €



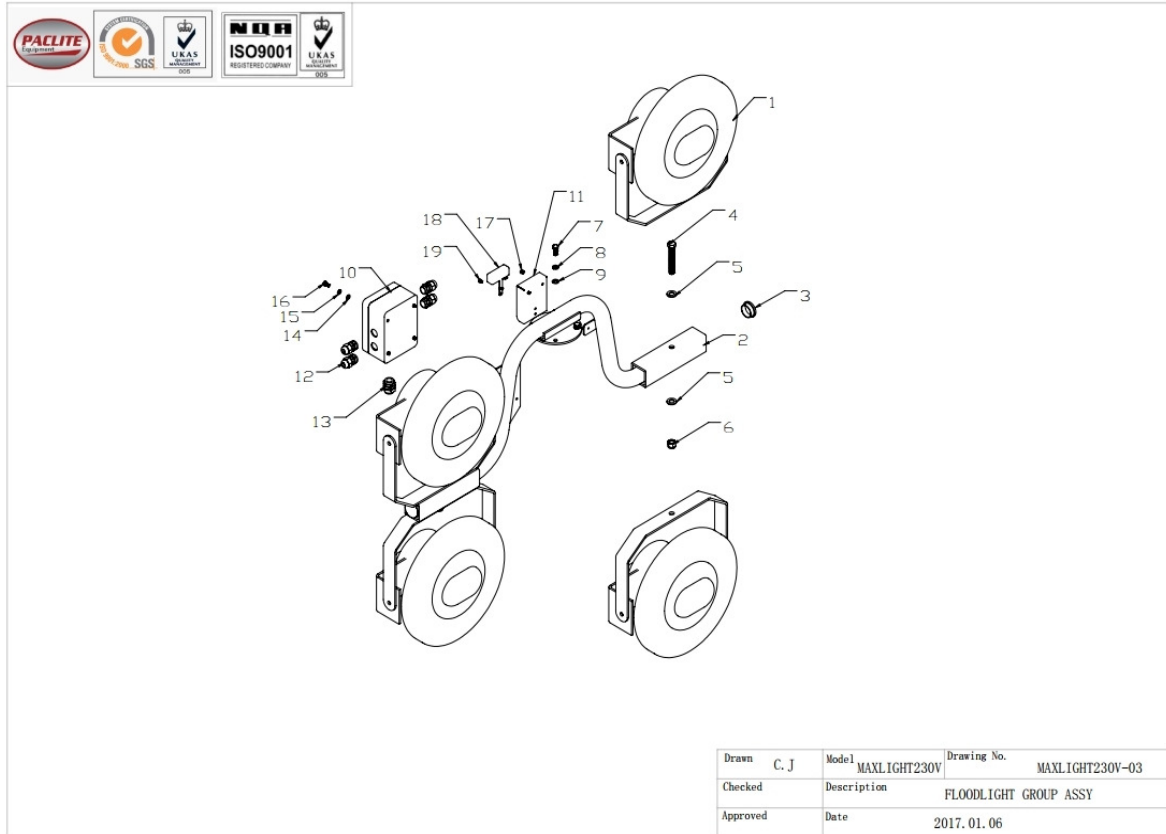
MAXLIGHT230V-03 FLOODLIGHT GROUP ASSY

NO.	PART NO.	PART DESCRIPTION	QTY	List Price €uro
03-1	MAXLIGHT230V-7-640L-030300	LED LAMP	4	890,00 €
03-2	MAXLIGHT230V-7-640L-030100	FLOODLIGHT FRAME	1	
03-3	MAXLIGHT230V-7-640L-030200	COVER	2	4,35 €
03-4	MAXLIGHT230V--FN.B-M12x80-8.8HALF-DIN-2	BOLT	2	1,15 €
03-5	MAXLIGHT230V-FN.W12-DIN-2	WASHER	4	1,40 €
03-6	MAXLIGHT230V-IN.N-M12-DIN-2	LOCK NUT	2	0,45 €
03-7	MAXLIGHT230V-FN.B-M8x20-8.8-DIN-2	BOLT	4	0,40 €
03-8	MAXLIGHT230V-HSPG.W8-DIN-2	SPRING WASHER,TANG ENDS	4	0,30 €
03-9	MAXLIGHT230V-FN.W8-DIN-2	WASHER	8	0,30 €
03-10	MAXLIGHT230V-7-640L-030400	ELECTRIC BOX	1	46,45 €
03-11	MAXLIGHT230V-7-640L-030500	LIGHT SENSOR BOX	1	0,00 €
03-12	MAXLIGHT230V-8-4K-031100	CABLE GLAND	4	7,30 €
03-13	MAXLIGHT230V-8-4K-052200	CABLE GLAND	1	39,00 €
03-14	MAXLIGHT230V-FN.W6-DIN-2	WASHER	4	0,35 €

MAXLIGHT230V-01 MAIN FRAME ASSY



NO.	PART NO.	PART DESCRIPTION	QTY	List Price €uro
03-15	MAXLIGHT230V-HSPG.W6-DIN-2	SPRING WASHER,TANG ENDS	4	0,30 €
03-16	MAXLIGHT230V-FN.B-M6x12-8.8-DIN-2	BOLT	4	0,35 €
03-17	MAXLIGHT230V-PAN.S-M5x6-GB-2	PAN HEAD SCREW	2	0,35 €
03-18	MAXLIGHT230V-7-640L-030600	LIGHT SENSOR	1	255,00 €
03-19	MAXLIGHT230V-PAN.S-M4x6	PAN HEAD SCREW	2	0,35 €



Drawn	C. J	Model	MAXLIGHT230V	Drawing No.	MAXLIGHT230V-03
Checked		Description	FLOODLIGHT GROUP ASSY		
Approved		Date	2017.01.06		

MAXLIGHT230V-04-A COMMAND PANEL ASSY

NO.	PART NO.	PART DESCRIPTION	QTY	List Price €uro
04-1	MAXLIGHT230V-7-640L-040100	CONTROL PANEL A	1	87,36 €
04-2	MAXLIGHT230V-7-640L-040900	SINGGLE PHASE SOCKET	1	
04-3	MAXLIGHT230V-8-4K-051200	EARTH CLAMP CONNECTION	1	
04-4	MAXLIGHT230V-7-640L-040200	CIRCUIT BREAKER PROTECTION	1	110,84 €
04-5	MAXLIGHT230V-7-640L-041000	EARTH LEAKAGE RELAY	1	
04-6	MAXLIGHT230V-7-640L-041100	CIRCUIT BREAKER	4	
04-7	MAXLIGHT230V-PAN.S-M5x20-GB-2	PAN HEAD SCREW	4	
04-8	MAXLIGHT230V-FN.W5-DIN-2	WASHER	6	0,35 €
04-9	MAXLIGHT230V-SPG.W5-DIN-2	SPRING WASHER	4	0,45 €
04-10	MAXLIGHT230V-FN.N-M5-DIN-2	NUT	4	0,40 €
04-11	MAXLIGHT230V-FN.W6-DIN-2	WASHER	6	0,35 €
04-12	MAXLIGHT230V-HSPG.W6-DIN-2	SPRING WASHER,TANG ENDS	6	0,30 €
04-13	MAXLIGHT230V-FN.B-M6x16-8.8-DIN-2	BOLT	6	0,35 €
04-14	MAXLIGHT230V-ST3X13	SCREW	8	7,50 €
04-15	MAXLIGHT230V-7-640L-040300	CIRCUIT BREAKER BRACKET	1	03,05 €

MAXLIGHT230V-01 MAIN FRAME ASSY



NO.	PART NO.	PART DESCRIPTION	QTY	List Price €uro
04-16	MAXLIGHT230V-PAN.S-M4x90-GB-2	PAN HEAD SCREW	2	0,45 €
04-17	MAXLIGHT230V-FN.W4-DIN-2	WASHER	6	0,30 €
04-18	MAXLIGHT230V-FN.N-M4-DIN-2	NUT	4	0,40 €
04-19	MAXLIGHT230V-SPG.W4-DIN-2	SPRING WASHER	8	0,30 €
04-20	MAXLIGHT230V-7-640L-040400	TERMINAL BLOCK	1	13,70 €
04-21	MAXLIGHT230V-7-640L-040500	TIMING DEVICE	1	- €
04-22	MAXLIGHT230V-7-640L-040600	LIGHT ACTIVATED SWITCH	1	148,56 €
04-23	MAXLIGHT230V-7-640L-040700	PLUG-IN RELAYS	1	164,60 €
04-24	MAXLIGHT230V-7-640L-040800	SWITCH	1	78,88 €
04-25	MAXLIGHT230V-PAN.S-M4x16-GB-2	PAN HEAD SCREW	2	1,15 €
04-26	MAXLIGHT230V-8-4K-052200	CABLE GLAND	1	39,00 €

