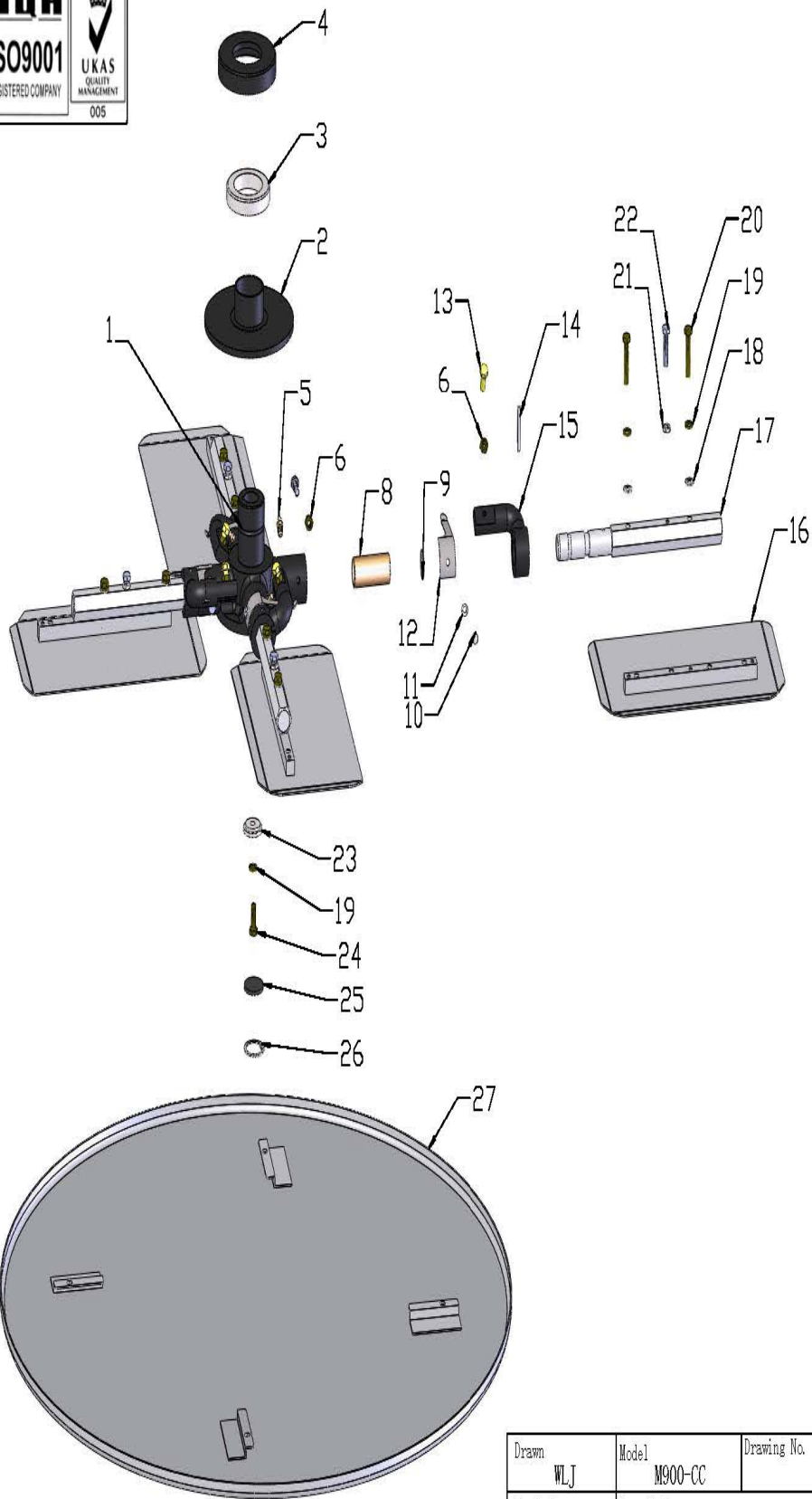


## M900-CC-01 SPIDER ASSY

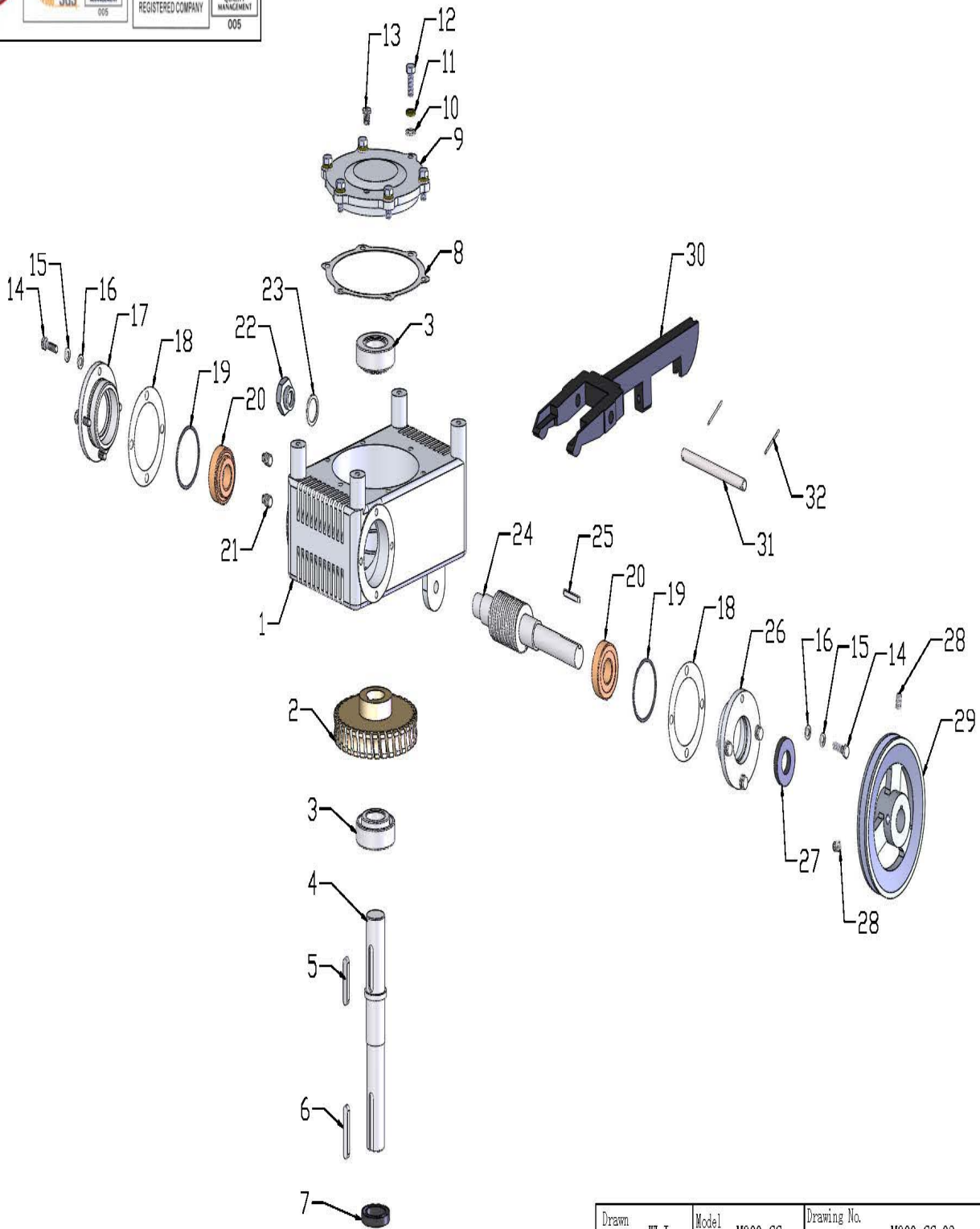
NO.	PART NO.	PART DESCRIPTION	QTY	UNIT PRICE 2018 EURO
01-1	M900-CC-947-00609	SPIDER	1	367,83 €
01-2	M900-CC-947-00603	TILT PLATE	1	81,15 €
01-3	M900-CC-W01-NIS-55TNK29	BEARING	1	33,06 €
01-4	M900-CC-947-00605	BEARING HOUSING	1	33,84 €
01-5	M900-CC-TOL-T-001	GREASE NIPPLE	4	0,60 €
01-6	M900-CC-FN.N-M8-DIN-1	NUT	8	0,30 €
01-7	M900-CC-FN.B-M8x20-8.8-DIN-1	BOLT	4	0,35 €
01-8	M900-CC-50-000067	SPIDER BUSH	4	46,60 €
01-9	M900-CC-W04-26x2	O RING	4	5,10 €
01-10	M900-CC-FN.B-M6x10-8.8-DIN-1	BOLT	4	0,30 €
01-11	M900-CC-HSPG.W6-DIN-1	SPRING WASHER	4	0,30 €
01-12	M900-CC-947-00604	SPRING SLICE	4	18,03 €
01-13	M900-CC-SHH.B-M8x25	BOLT	4	0,72 €
01-14	M900-CC-SC.PIN-5x40	SPRING PIN	4	0,50 €
01-15	M900-CC-947-00602	TILT ARM	4	24,80 €
01-16	M900-CC-111.8.002	COMBINATION BLADE	4	- €
01-17	M900-CC-947-00601	SPIDER ARM	4	68,53 €
01-18	M900-CC-FN.W8-DIN-1	WASHER	8	0,30 €
01-19	M900-CC-HSPG.W8-DIN-1	SPRING WASHER, TANG ENDS	9	0,30 €
01-20	M900-CC-FN.B-M8x45-8.8-DIN-1	BOLT	8	0,30 €
01-21	M900-CC-FNL.N-M8	HEXAGON THIN NUT	4	0,30 €
01-22	M900-CC-FN.B-M8x35-8.8-DIN-1	BOLT	4	0,35 €
01-23	M900-CC-947-99945	WASHER	1	9,04 €
01-24	M900-CC-FN.B-M8x25-8.8-DIN-1	BOLT	1	0,35 €
01-25	M900-CC-100G-040305	RUBBER WASHER	1	1,14 €
01-26	M900-CC-CH.RG36	INTERNAL CIRCLIP	1	0,50 €
01-27	M900-CC-100GB-080000P	ROUND PAN	1	129,19 €



Drawn WLJ	Model M900-CC	Drawing No. M900-CC-01
Checked	Description SPIDER ASSY.	
Approved	Date 2014.01.02	

## M900-CC-02 GEARBOX ASSY

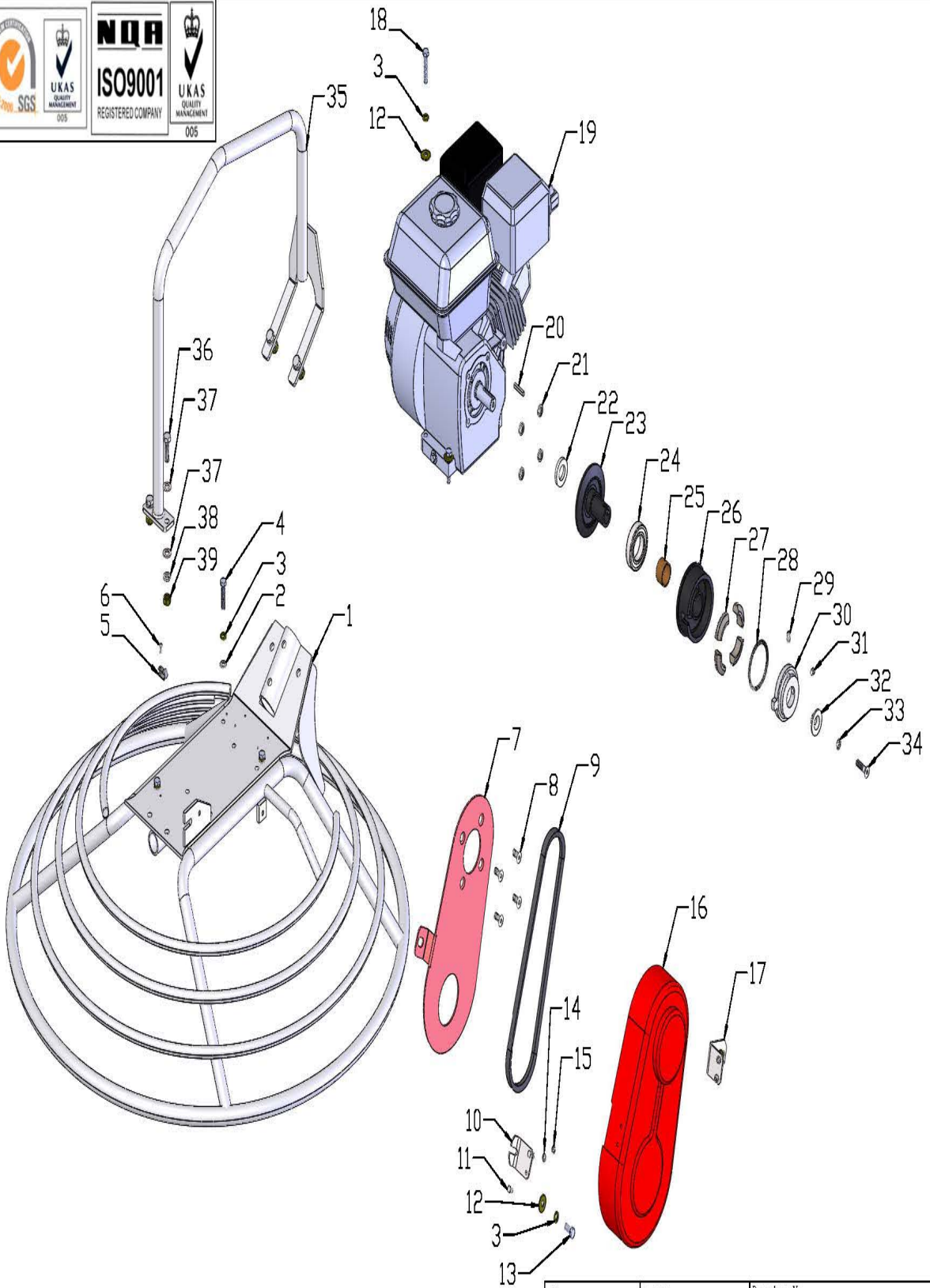
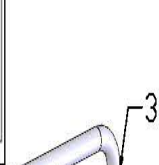
NO.	PART NO.	PART DESCRIPTION	QTY	UNIT PRICE 2018 EURO
02-1	M900-CC-947-040001	WORM GEAR BOX	1	540,93 €
02-2	M900-CC-100GB-040107	WORM GEAR	1	428,24 €
02-3	M900-CC-W01-32206-J	BEARING	2	36,66 €
02-4	M900-CC-100GB-040115	WORM GEAR SHAFT	1	202,87 €
02-5	M900-CC-Key.A-8x7x40	KEY	1	5,99 €
02-6	M900-CC-Key.A-8x7x45	KEY	1	5,99 €
02-7	M900-CC-W03-45x30x8	OIL SEAL	1	6,11 €
02-8	M900-CC-100GB-040402	SEAL, TOP COVER	1	6,11 €
02-9	M900-CC-100GB-040110	TOP COVER	1	33,06 €
02-10	M900-CC-FN.W8-DIN-1	WASHER	6	0,30 €
02-11	M900-CC-HSPG.W8-DIN-1	SPRING WASHER	6	0,30 €
02-12	M900-CC-FN.B-M8x20-8.8-DIN-1	BOLT	6	0,35 €
02-13	M900-CC-100G-000004	VENT SCREW	1	4,49 €
02-14	M900-CC-FN.B-M6x25-8.8-DIN-1	BOLT	8	0,30 €
02-15	M900-CC-HSPG.W6-DIN-1	SPRING WASHER	8	0,30 €
02-16	M900-CC-FN.W6-DIN-1	WASHER	8	0,30 €
02-17	M900-CC-100GB-040302	CLOSE COVER	1	31,57 €
02-18	M900-CC-100GB-040401	SEAL, SIDE COVER	2	6,11 €
02-19	M900-CC-W04-47.7x2.65	O RING	2	6,11 €
02-20	M900-CC-W01-32204-J	BEARING	2	49,65 €
02-21	M900-CC-100GB-040111	STOPPER	2	2,99 €
02-22	M900-CC-100GB-041000	OIL GAUGE	1	31,57 €
02-23	M900-CC-ZH-D-M20	WASHER	1	0,55 €
02-24	M900-CC-120GB-040308	WORM	1	319,16 €
02-25	M900-CC-Key.A-5x5x36	KEY	1	5,99 €
02-26	M900-CC-100GB-040310	SIDE COVER	1	31,55 €
02-27	M900-CC-W03-40x20x8	OIL SEAL	1	6,11 €
02-28	M900-CC-FHSS.S-M8x12-GB-3	GRUB SCREW	2	0,90 €
02-29	M900-CC-100GB-040314	PULLEY	1	76,62 €
02-30	M900-CC-100G-060400	TILT YOKE	1	39,05 €
02-31	M900-CC-100G-060500	SHAFT	1	5,99 €
02-32	M900-CC-SP.PIN-2x26	SPLIT PIN	2	0,30 €



Drawn	WLJ	Model	M900-CC	Drawing No.	M900-CC-02
Checked		Description	GEARBOX ASSY		
Approved		Date	2014.01.02		

## M900-CC-03 ENGINE BASE AND CLUTCH ASSY

NO.	PART NO.	PART DESCRIPTION	QTY	UNIT PRICE 2018 EURO
03-1	M900-CC-90GB-020000	GUARD RING	1	394,20 €
03-2	M900-CC-FN.W8-DIN-1	WASHER	4	0,30 €
03-3	M900-CC-HSPG.W8-DIN-1	SPRING WASHER	10	0,30 €
03-4	M900-CC-FN.B-M8x35-8.8-DIN-1	BOLT	4	0,25 €
03-5	M900-CC-X1-J-10.4	CABLE CLAMP	1	0,55 €
03-6	M900-CC-PAN.S-M4x10	PAN HEAD SCREW	1	0,35 €
03-7	M900-CC-90GB-030400	BACK PLATE	1	56,91 €
03-8	M900-CC-HSF.S-M8x20-DIN-1	SOCKET COUNTERSUNK HEAD SCREW	4	0,55 €
03-9	M900-CC-W02-A29	V-BELT	1	28,69 €
03-10	M900-CC-947-00402	BRACKET 1	1	13,54 €
03-11	M900-CC-FN.B-M5X12-8.8-DIN-1	BOLT	4	0,30 €
03-12	M900-CC-WOD.W8-DIN-1	WASHER	6	0,30 €
03-13	M900-CC-FN.B-M8x20-8.8-DIN-1	BOLT	2	0,35 €
03-14	M900-CC-FN.W5	WASHER	4	0,30 €
03-15	M900-CC-947-000017	LOCK NUT	4	2,99 €
03-16	M900-CC-100G-030100	BELT GUARD	1	46,07 €
03-17	M900-CC-100G-030300	BRACKET 2	1	12,82 €
03-18	M900-CC-FN.B-M8x40-8.8	BOLT	4	0,40 €
03-19	M900-CC-W05-GX160UT2-SWX2	ENGINE	1	- €
03-20	M900-CC-Key.B-5x5x32	KEY	1	9,00 €
03-21	M900-CC-90GB-030500	BUSH	4	8,98 €
03-22	M900-CC-276-030400	BUSH, PTO	1	33,72 €
03-23	M900-CC-100GB-070101	SHAFT	1	52,15 €
03-24	M900-CC-W01-6007ZZ-J	BEARING	1	38,13 €
03-25	M900-CC-100G-070500	BUSH	1	25,64 €
03-26	M900-CC-100GB-070105	CLUTCH DRUM	1	40,25 €
03-27	M900-CC-100G-070400	CLUTCH BLOCK	4	5,33 €
03-28	M900-CC-100G-070109	SPRING	1	2,58 €
03-29	M900-CC-FHSS.S-M8x12-GB-3	GRUB SCREW	1	0,35 €
03-30	M900-CC-100G-070300	CLUTCH PLATE	1	32,34 €
03-31	M900-CC-ConeHSS.S-M8x12-GB-3	SOCKET HEAD SCREW	1	0,72 €
03-32	M900-CC-90GB-030600	END CAP	1	14,97 €
03-33	M900-CC-CETL.W8	COUNTERSUNK EXTERNAL TOOTHED LOCK	1	6,00 €
03-34	M900-CC-HSF.S-M8x35-DIN-1	SOCKET COUNTERSUNK HEAD SCREW	1	0,66 €
03-35	M900-CC-030200	LIFTING HANDLE	1	101,42 €
03-36	M900-CC-FN.B-M10x30-8.8-DIN-1	BOLT	4	0,45 €
03-37	M900-CC-FN.W10-DIN-1	WASHER	8	0,30 €
03-38	M900-CC-HSPG.W10-DIN-1	SPRING WASHER	4	0,30 €
03-39	M900-CC-FN.N-M10	NUT	4	0,30 €



Drawn	WLJ	Model	M900-CC	Drawing No.	M900-CC-03
Checked		Description	ENGINE BASE AND CLUTCH ASSY		
Approved		Date	2014.01.02		

## M900-CC-04 OPERATION HANDLE ASSY

NO.	PART NO.	PART DESCRIPTION	QTY	UNIT PRICE 2018 EURO
04-1	M900-CC-120GB-090300F	HANDLE BOTTOM	1	121,72 €
04-2	M900-CC-100G-010005	WHEEL BLOCK	1	20,30 €
04-3	M900-CC-100G-010004	WHEEL	1	16,53 €
04-4	M900-CC-SC.PIN-8x32-GB-3	SPRING PIN	1	0,55 €
04-5	M900-CC-HSPG.W10-DIN-1	SPRING WASHER, TANG ENDS	2	0,30 €
04-6	M900-CC-FN.B-M10x35-8.8-DIN-1	BOLT	2	0,45 €
04-7	M900-CC-750-020300	PIN	2	3,59 €
04-8	M900-CC-HC.N-M10-DIN-2	CAP NUT	5	0,60 €
04-9	M900-CC-120GB-090400F	HOSE	1	21,32 €
04-10	M900-CC-750-020400	CLAMP	1	40,40 €
04-11	M900-CC-HS.B-M6x10-8.8-GB-1	SCREW	2	0,35 €
04-12	M900-CC-120GB-090100F	HANDLE UPPER	1	222,00 €
04-13	M900-CC-947-06606	SCREWD-TOMMY BAR	1	39,68 €
04-14	M900-CC-SC.PIN-6x30-GB-3	SPRING PIN	1	0,45 €
04-15	M900-CC-947-99947	BAR	1	9,04 €
04-16	M900-CC-SH.A-M12x40	GRIP BALL	1	2,76 €
04-17	M900-CC-SC.PIN-5x40-GB-3	SPRING PIN	1	0,50 €
04-18	M900-CC-100G-010008P	PITCH CONTROL KNOB	1	44,63 €
04-19	M900-CC-W01-51103-J	BEARING	1	17,43 €
04-20	M900-CC-HS.B-M6x8-8.8-GB-1	SCREW	1	0,30 €
04-21	M900-CC-100G-010006	BEARING COVER	1	10,54 €
04-22	M900-CC-100G-010003	ADJUSTING SCREW	1	21,02 €
04-23	M900-CC-CS.RG16	EXTERNAL CIRCLIP	1	0,35 €
04-24	M900-CC-HS.B-M5x8-8.8-GB-1	SCREW	1	0,30 €
04-25	M900-CC-SC.PIN-5x30-GB-3	SPRING PIN	1	0,45 €
04-26	M900-CC-100G-010002	SLIDE BUSH	1	59,51 €
04-27	M900-CC-120GB-000010	DEPTH CONTROL CABLE ASSY	1	17,55 €
04-28	M900-CC-FN.N-M6-DIN-1	NUT	2	0,30 €
04-29	M900-CC-100G-010001	HANDLE COVER	2	9,04 €
04-30	M900-CC-120GB-090200F	HANDLEBAR	1	174,93 €
04-31	M900-CC-947-99998	HANDLE FOAM	1	11,26 €
04-32	M900-CC-120GB-000005	HANDLE FABRIC	1	27,07 €
04-33	M900-CC-F.S-M5x10	COUNTERSUNK HEAD SCREW	2	0,30 €
04-34	M900-CC-100G-010101	CUTOUT SWITCH SHELL	1	12,10 €
04-35	M900-CC-100G-010103	CUTOUT SWITCH LEVER	1	27,07 €
04-36	M900-CC-100G-010104	CUTOUT SWITCH BUSH	1	1,56 €
04-37	M900-CC-100G-010102	CUTOUT COVER	1	5,33 €
04-38	M900-CC-F.S-M3x30-DIN-1	COUNTERSUNK HEAD	1	0,30 €
04-39	M900-CC-100G-010107	CUTOUT SWITCH REED	1	4,49 €
04-40	M900-CC-100G-010105	CUTOUT SWITCH OUTLET	1	3,83 €
04-41	M900-CC-100G-010106	CUTOUT SWITCH WASHER	1	4,49 €
04-42	M900-CC-FN.W3-DIN-2	WASHER	1	0,30 €
04-43	M900-CC-FN.N-M3-DIN-2	NUT	2	0,30 €
04-44	M900-CC-F.S-M4x25-DIN-1	COUNTERSUNK HEAD SCREW	3	0,30 €
04-45	M900-CC-100G-000014	WIRE HARNESS	1	7,61 €
04-46	M900-CC-FN.B-M6x20-8.8-DIN-2	BOLT	2	0,30 €

04-47	M900-CC-HSPG.W6-DIN-2	SPRING WASHER,TANG ENDS	2	0,30 €
04-48	M900-CC-HC.N-M6-DIN-2	CAP NUT	2	0,30 €
04-49	M900-CC-FNL.N-M10-DIN-2	HEXAGON THIN NUT	1	0,40 €
04-50	M900-CC-FN.W10-DIN-2	WASHER	2	0,30 €
04-51	M900-CC-70ND-060000	THROTTLE LEVER	1	29,05 €
04-52	M900-CC-FHSS.S-M6x8-GB-3	SOCKET SCREW WITH FLAT HEAD	1	0,35 €
04-53	M900-CC-HC.N-M8-DIN-2	CAP NUT	1	0,45 €
04-54	M900-CC-FNL.N-M8-DIN-2	HEXAGON THIN NUT	2	0,30 €
04-55	M900-CC-FHSS.S-M8x20-GB-3	SOCKET SCREW WITH FLAT HEAD	1	3,30 €
04-56	M900-CC-70ND-060001	THROTTLE BODY	1	38,93 €
04-57	M900-CC-70ND-060003	BOLT	1	16,23 €
04-58	M900-CC-70ND-060002	THROTTLE GEAR	1	32,46 €
04-59	M900-CC-W04-45x3	O-RING	1	5,99 €
04-60	M900-CC-70ND-060004	SLIDER	1	9,70 €
04-61	M900-CC-W06-S04-L1420x1620	THROTTLE CABLE	1	49,67 €
04-62	M900-CC-70ND-010018	THROTTLE LEVER ASSY	1	77,94 €

