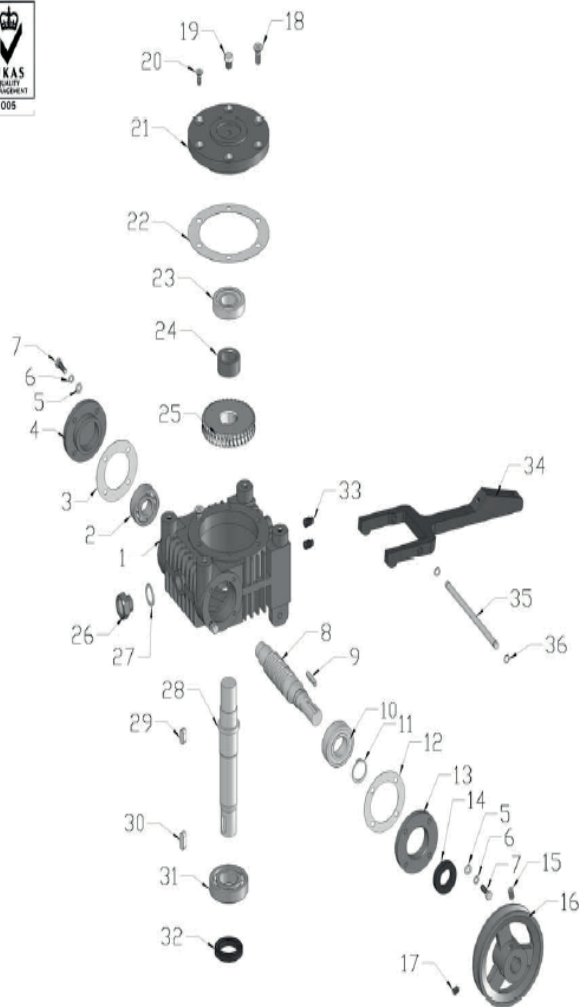


M600-01 SPIDER ASSY

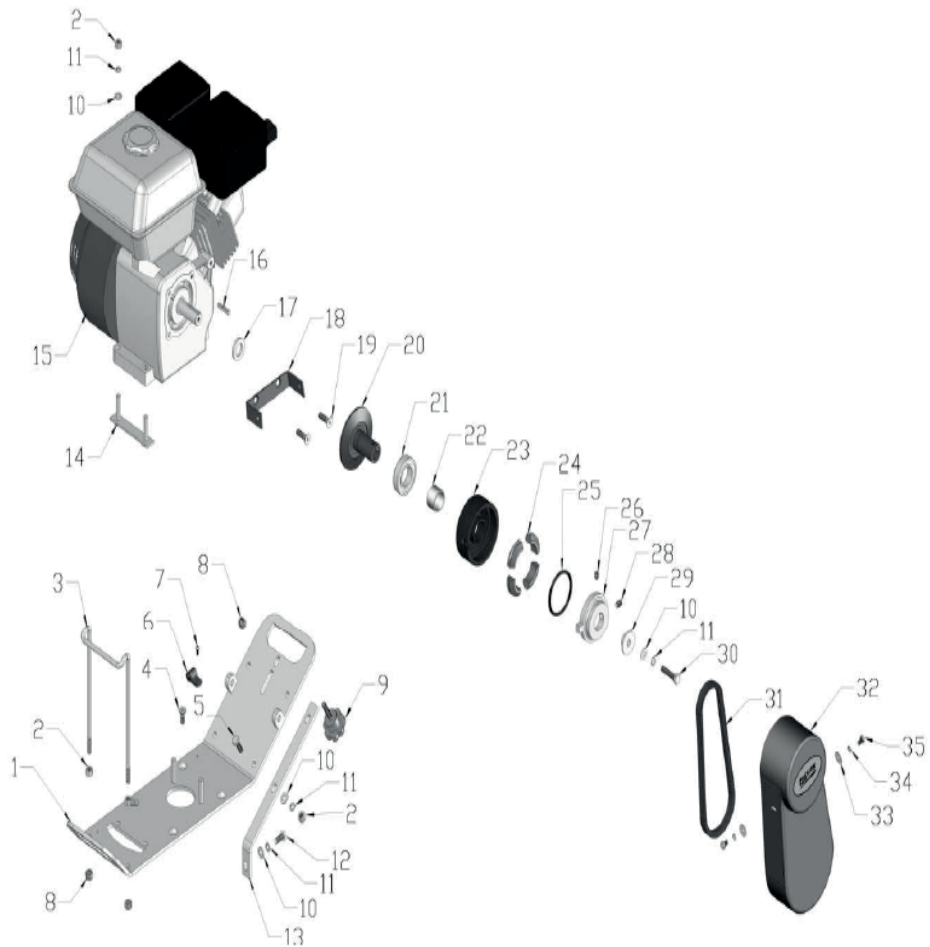
NO.	PART NO.	PART DESCRIPTION	QTY	UNIT PRICE (EUR)
01-1	M600-606-050301	SPIDER	1	90,30 €
01-2	M600-ConeHSS.S-M8x20	GRUB SCREW	4	0,36 €
01-3	M600-FNL.N-M8	HEXAGON THIN NUT	12	0,16 €
01-4	M600-CHSN.B-M8x25-GB-1	BOLT	4	0,20 €
01-5	M600-GB79-85-M8x20	SOCKET SCREW WITH CYLINDRI- CAL POINT	4	0,24 €
01-6	M600-W03-DH-20	OIL SEAL	4	16,04 €
01-7	M600-606-050401	TILT ARM	4	15,56 €
01-8	M600-606-050100	BLADE	4	17,68 €
01-9	M600-606-050501	SPIDER ARM	4	47,40 €
01-10	M600-HS.B-M8x20-8.8-GB-1	SCREW	4	0,20 €
01-11	M600-FN.W6-DIN-1	WASHER	8	0,16 €
01-12	M600-SPG.W6-DIN-1	SPRING WASHER	8	0,16 €
01-13	M600-FN.B-M6x35-8.8-DIN-1	BOLT	8	0,16 €
01-14	M600-606-040303	TILT PLATE	1	34,60 €
01-15	M600-606-040802	RUBBER RING	1	35,64 €
01-16	M600-606-040801	GUARD PLATE	1	138,48 €
01-17	M600-W01-6808RS-J	BEARING	1	36,12 €
01-18	M600-W01-NKI 40/20-J	BEARING	1	39,51 €
01-19	M600-CH.RG55	INTERNAL CIRCLIP	1	0,52 €
01-20	M600-SS.RG40	EXTERNAL CIRCLIP	1	4,00 €
01-21	M600-W01-51107-J	BEARING	1	27,12 €
01-22	M600-606-040302	BEARING COVER	1	43,32 €
01-23	M600-606-050701	END CAP	1	4,00 €
01-24	M600-CETL.W8	COUNTERSUNK EXTERNAL TOO- THED LOCK WASHER	1	4,00 €
01-25	M600-HSF.S-M8x25	SOCKET COUNTERSUNK HEAD SCREW	1	0,40 €
01-26	M600-606-050601	GUARD RING	1	15,81 €
01-27	M600-606-040803	ROUND PAN	1	59,20 €

M600-02 GEARBOX ASSY

NO.	PART NO.	PART DESCRIPTION	QTY	UNIT PRICE (EUR) 2013
02-1	M600-606-040101	WORM GEAR BOX	1	190,66 €
02-2	M600-W01-6204-J	BEARING	1	6,56 €
02-3	M600-606-040106	SEAL, CLOSE COVER	1	4,08 €
02-4	M600-606-040103	CLOSE COVER	1	21,56 €
02-5	M600-FN.W6-DIN-1	WASHER	8	0,16 €
02-6	M600-SPG.W6-DIN-1	SPRING WASHER	8	0,16 €
02-7	M600-FN.B-M6x20-8.8-DIN-1	BOLT	8	0,16 €
02-8	M600-606-040203	WORM	1	163,82 €
02-9	M600-Key.A-5x5x28	KEY	1	4,00 €
02-10	M600-W01-6205Z-J	BEARING	1	9,56 €
02-11	M600-CS.RG25	EXTERNAL CIRCLIP	1	0,28 €
02-12	M600-606-040107	SEAL,SIDE COVER	1	4,08 €
02-13	M600-606-040104	SIDE COVER	1	21,56 €
02-14	M600-W03-40x22x7	OIL SEAL	1	4,08 €
02-15	M600-FHSS.S-M8x12	GRUB SCREW	1	0,20 €
02-16	M600-70G-040314	PULLEY	1	63,60 €
02-17	M600-ConeHSS.S-M8x12	SOCKET HEAD SCREW	1	0,36 €
02-18	M600-HSF.S-M8x20	SOCKET COUNTERSUNK HEAD SCREW	5	0,36 €
02-19	M600-606-040108	VENT SCREW	1	3,52 €
02-20	M600-HSF.S-M8x16	SOCKET COUNTERSUNK HEAD SCREW	1	21,45 €
02-21	M600-606-040102	TOP COVER	1	27,84 €
02-22	M600-606-040105	SEAL, TOP COVER	1	10,08 €
02-23	M600-W01-30205-J	BEARING	1	17,60 €
02-24	M600-606-040204	BUSH	1	9,52 €
02-25	M600-100G-040201	WORM GEAR	1	138,48 €
02-26	M600-100GB-041000	OIL GAUGE	1	21,08 €
02-27	M600-ZH-D-M20	WASHER	1	0,36 €
02-28	M600-606-040202	WORM GEAR SHAFT	1	76,38 €
02-29	M600-Key.A-8x7x18	KEY	1	4,00 €
02-30	M600-Key.A-8x7x25	KEY	1	4,00 €
02-31	M600-6206Z-J	BEARING	1	13,08 €
02-32	M600-W03-45x30x8	OIL SEAL	1	0,56 €
02-33	M600-100GB-040111	STOPPER	2	1,52 €
02-34	M600-606-040304	TILT YOKE	1	24,12 €
02-35	M600-606-040301	PIN	1	5,52 €
02-36	M600-CS.RG8	EXTERNAL CIRCLIP	2	0,36 €



Drawn	L. C	Model	M600	Drawing No.	M600-02
Checked		Description	GEARBOX ASSY		
Approved		Date	2009.7.28.		



Drawn	L. C	Model	M600	Drawing No.	M600-03
Checked		Description	ENGINE BASE & CLUTCH ASSY		
Approved		Date	2009. 7. 28.		

M600-04 OPERATION HANDLE ASSY

NO.	PART NO.	PART DESCRIPTION	QTY	UNIT PRICE EUR
04-1	M600-606-000601	WHEEL BRACKET	1	16,04 €
04-2	M600-606-000501	WHEEL	1	9,52 €
04-3	M600-SC.PIN-8x28	SPRING PIN	1	0,32 €
04-4	M600-CS.RG10	EXTERNAL CIRCLIP	4	0,16 €
04-5	M600-606-020801	PIN	1	5,04 €
04-6	M600-606-020100P	HANDLE BOTTOM	1	50,43 €
04-7	M600-FN.N-M8-DIN-1	NUT	1	0,16 €
04-8	M600-FN.B-M8x30-8.8-DIN-1	BOLT	1	0,20 €
04-9	M600-SPG.W6-DIN-1	SPRING WASHER	2	0,16 €
04-10	M600-FN.B-M6x30-8.8-DIN-1	BOLT	2	0,16 €
04-11	M600-606-021301	PIN	1	5,08 €
04-12	M600-606-000006	SPRING	1	8,52 €
04-13	M600-IN.N-M8-DIN-1	LOCK NUT	1	0,16 €
04-14	M600-StarH-M8x40	STAR GRIP KNOB	1	1,52 €
04-15	M600-606-020200P	HANDLE TOP	1	58,83 €
04-16	M600-SH.A-M12x40	GRIP BALL	1	2,04 €
04-17	M600-947-99947	BAR	1	4,52 €
04-18	M600-SC.PIN-6x30	SPRING PIN	1	0,28 €
04-19	M600-606-030501	SCREWD-TOMMY BAR	1	18,06 €
04-20	M600-FN.N-M6-DIN-1	NUT	2	0,16 €
04-21	M600-606-000010	DEPTH CONTROL CABLE ASSY	1	16,12 €
04-22	M600-SC.PIN-5x28	SPRING PIN	1	0,24 €
04-23	M600-HS.B-M5x8-8.8-GB-1	SCREW	1	0,16 €
04-24	M600-606-000301	SLIDE BUSH	1	51,93 €
04-25	M600-CS.RG16	EXTERNAL CIRCLIP	1	0,20 €
04-26	M600-100G-010003	ADJUSTING SCREW	1	16,68 €
04-27	M600-HS.B-M6x8-8.8-GB-1	SCREW	1	0,16 €
04-28	M600-606-000701	BEARING COVER	1	10,04 €
04-29	M600-W01-51103-J	BEARING	1	12,04 €
04-30	M600-SC.PIN-5x40	SPRING PIN	1	0,32 €
04-31	M600-100G-010008P	PITCH CONTROL KNOB	1	37,23 €
04-32	M600-100G-010001	HANDLE COVER	2	6,04 €
04-33	M600-606-030000P	HANDLE	1	120,48 €
04-34	M600-F.S-M5x10	COUNTERSUNK HEAD SCREW	2	0,16 €
04-35	M600-100G-010101	CUTOUT SWITCH SHELL	1	8,04 €
04-36	M600-100G-010103	CUTOUT SWITCH LEVER	1	17,56 €
04-37	M600-100G-010104	CUTOUT SWITCH BUSH	1	0,48 €
04-38	M600-100G-010102	CUTOUT COVER	1	3,56 €
04-39	M600-F.S-M3x30	COUNTERSUNK HEAD SCREW	1	0,16 €

04-40	M600-100G-010107	CUTOUT SWITCH REED	1	3,04 €
04-41	M600-100G-010105	CUTOUT SWITCH OUTLET	1	2,52 €
04-42	M600-100G-010106	CUTOUT SWITCH WASHER	1	3,04 €
04-43	M600-FN.W3-DIN-2	WASHER	1	0,16 €
04-44	M600-FN.N-M3-DIN-1	NUT	2	0,16 €
04-45	M600-F.S-M4x25	COUNTERSUNK HEAD SCREW	3	0,16 €
04-46	M600-100G-000014	WIRE HARNESS	1	4,56 €
04-47	M600-FN.B-M6x20-8.8-DIN-2	BOLT	2	0,16 €
04-48	M600-HC.N-M6-DIN-2	CAP NUT	2	0,16 €
04-49	M600-HC.N-M10-DIN-2	CAP NUT	1	0,40 €
04-50	M600-FNL.N-M10-DIN-2	HEXAGON THIN NUT	1	0,20 €
04-51	M600-FN.W10-DIN-2	WASHER	2	0,16 €
04-52	M600-70ND-060000	THROTTLE LEVER	1	19,56 €
04-53	M600-FHSS.S-M6x8-GB-3	SOCKET SCREW WITH FLAT HEAD	1	0,20 €
04-54	M600-HC.N-M8-DIN-2	CAP NUT	1	0,24 €
04-55	M600-FNL.N-M8-DIN-2	HEXAGON THIN NUT	2	0,16 €
04-56	M600-FHSS.S-M8x20-GB-3	SOCKET SCREW WITH FLAT HEAD	1	0,24 €
04-57	M600-70ND-060001	THROTTLE BODY	1	27,12 €
04-58	M600-70ND-060003	BOLT	1	11,04 €
04-59	M600-70ND-060002	THROTTLE GEAR	1	22,08 €
04-60	M600-W04-45x3	O-RING	1	4,00 €
04-61	M600-70ND-060004	SLIDER	1	6,52 €
04-62	M600-W06-S04-L1100X1300	THROTTLE CABLE	1	41,46 €
04-63	M600-70ND-010018	THROTTLE LEVER ASSY	1	67,74 €