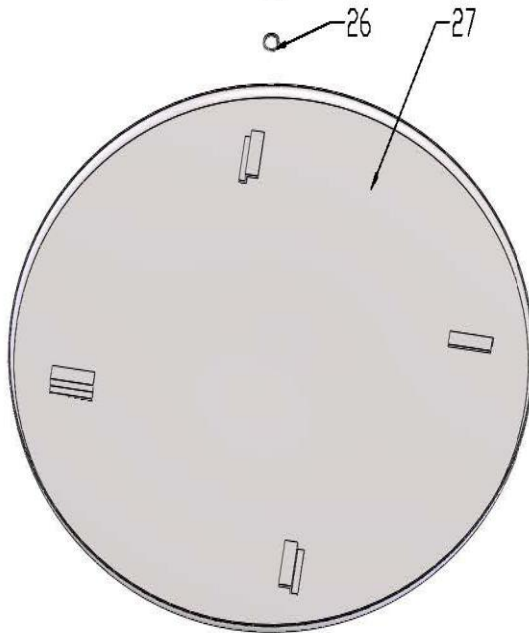
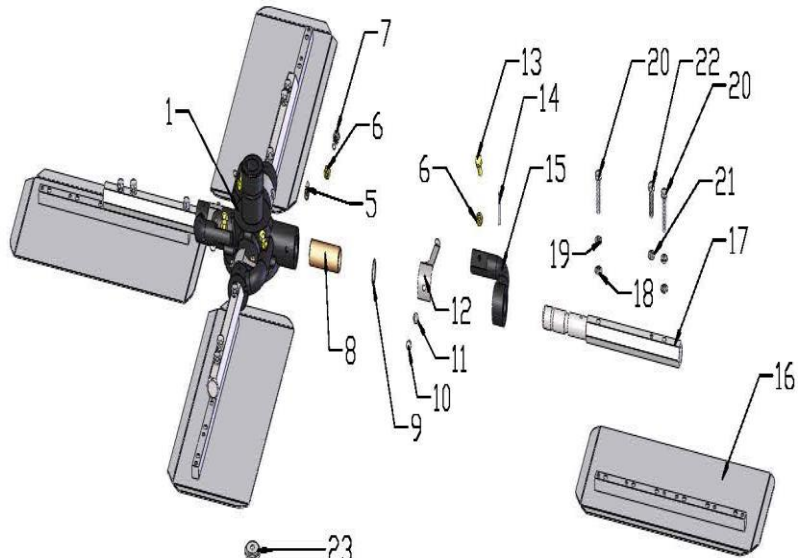
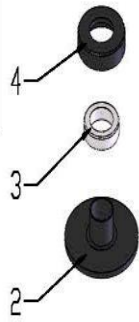


## M1200-01 SPIDER ASSY

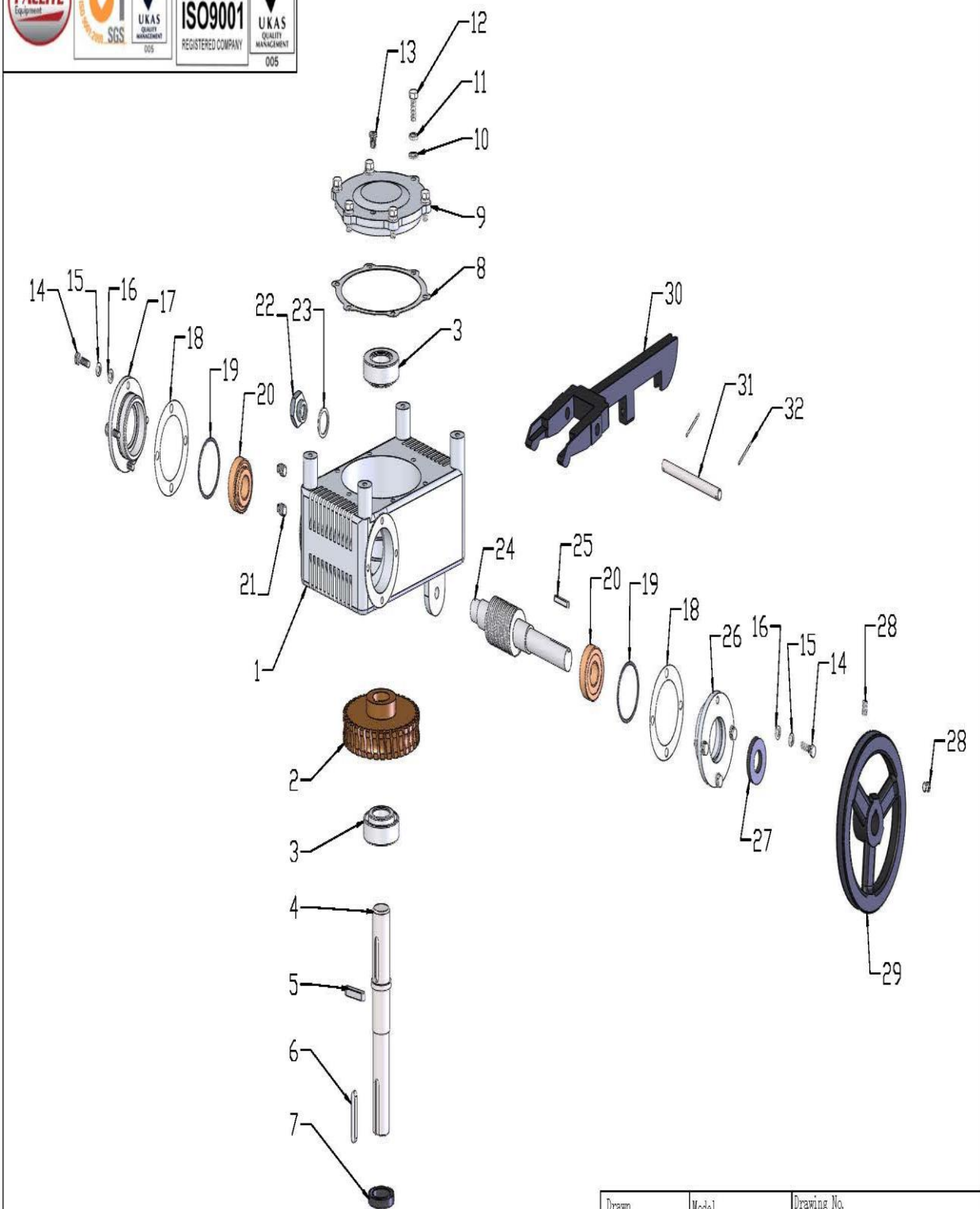
NO.	PART NO.	PART DESCRIPTION	QTY	UNIT PRICE EUR & USD 2015
01-1	M1200H-947-00609	SPIDER	1	306,53
01-2	M1200H-947-00603	TILT PLATE	1	77,89
01-3	M1200H-W01-NIS-55TNK29	BEARING	1	25,39
01-4	M1200H-947-00605	BEARING HOUSING	1	25,99
01-5	M1200H-TOL-T-001	GREASE NIPPLE	4	0,41
01-6	M1200H-FN.N-M8-DIN-1	NUT	8	0,18
01-7	M1200H-FN.B-M8x20-8.8-DIN-1	BOLT	4	0,23
01-8	M1200H-50-000067	SPIDER BUSH	4	35,77
01-9	M1200H-W04-25x2	O RING	4	4,69
01-10	M1200H-FN.B-M6x10-8.8-DIN-1	BOLT	4	0,18
01-11	M1200H-SPG.W6-DIN-1	SPRING WASHER	4	0,18
01-12	M1200H-947-00604	SPRING SLICE	4	13,85
01-13	M1200H-SHH.B-M8x25	BOLT	4	0,54
01-14	M1200H-SC.PIN-5x40	SPRING PIN	4	0,37
01-15	M1200H-947-00602	TILT ARM	4	19,04
01-16	M1200H-947-99956	COMBINATION BLADE	4	28,57
01-17	M1200H-947-00607	SPIDER ARM	4	87,85
01-18	M1200H-FN.W8-DIN-1	WASHER	8	0,18
01-19	M1200H-HSPG.W8-DIN-1	SPRING WASHER, TANG ENDS	9	0,18
01-20	M1200H-FN.B-M8x45-8.8-DIN-1	BOLT	8	0,28
01-21	M1200H-FNL.N-M8	HEXAGON THIN NUT	4	0,18
01-22	M1200H-FN.B-M8x35-8.8-DIN-1	BOLT	4	0,23
01-23	M1200H-947-99945	WASHER	1	6,92
01-24	M1200H-FN.B-M8x25-8.8-DIN-1	BOLT	1	0,23
01-25	M1200H-100G-040305	RUBBER WASHER	1	0,86
01-26	M1200H-CH.RG36	INTERNAL CIRCLIP	1	0,37
01-27	M1200H-120GB-080000P	ROUND PAN	1	207,75



Drawn	xh.y	Model	M1200H	Drawing No.	M1200H-01
Checked		Description	SPIDER ASSY.		
Approved		Date	2013.08.20		

## M1200-02P GEARBOX ASSY

NO.	PART NO.	PART DESCRIPTION	QTY	UNIT PRICE EUR & USD 2015
02-1	M1200H-947-040001	WORM GEAR BOX	1	432,75
02-2	M1200H-947-040107-1200	WORM GEAR	1	367,83
02-3	M1200H-W01-32206-J	BEARING	2	28,15
02-4	M1200H-947-040115	WORM GEAR SHAFT	1	162,28
02-5	M1200H-Key.A-8x7x40	KEY	1	4,62
02-6	M1200H-Key.A-8x7x45	KEY	1	4,62
02-7	M1200H-W03-45x30x8	OIL SEAL	1	4,69
02-8	M1200H-100GB-040402	SEAL, TOP COVER	1	4,69
02-9	M1200H-100GB-040110	TOP COVER	1	25,39
02-10	M1200H-FN.W8-DIN-1	WASHER	6	0,18
02-11	M1200H-SPG.W8-DIN-1	SPRING WASHER	6	0,18
02-12	M1200H-FN.B-M8x20-8.8-DIN-1	BOLT	6	0,18
02-13	M1200H-100G-000004	VENT SCREW	1	3,46
02-14	M1200H-FN.B-M6x25-8.8-DIN-1	BOLT	8	0,18
02-15	M1200H-SPG.W6-DIN-1	SPRING WASHER	8	0,18
02-16	M1200H-FN.W6-DIN-1	WASHER	8	0,18
02-17	M1200H-100GB-040302	CLOSE COVER	1	24,23
02-18	M1200H-100GB-040401	SEAL, SIDE COVER	2	4,69
02-19	M1200H-W04-47.7x2.65	O RING	2	4,69
02-20	M1200H-W01-32204-J	BEARING	2	38,13
02-21	M1200H-100GB-040111	STOPPER	2	2,31
02-22	M1200H-100GB-041000	OIL GAUGE	1	24,23
02-23	M1200H-ZH-D-M20	WASHER	1	0,55
02-24	M1200H-120GB-040308	WORM	1	255,32
02-25	M1200H-Key.A-5x5x32	KEY	1	4,62
02-26	M1200H-100GB-040310	SIDE COVER	1	24,23
02-27	M1200H-W03-40x20x8	OIL SEAL	1	4,69
02-28	M1200H-FHSS.S-M8x12	GRUB SCREW	2	0,74
02-29	M1200H-947-99988	GEARBOX PULLEY	1	73,57
02-30	M1200H-100G-060400	TILT YOKE	1	30,00
02-31	M1200H-100G-060500	SHAFT	1	4,62
02-32	M1200H-SP.PIN-2x26	SPLIT PIN	2	0,24

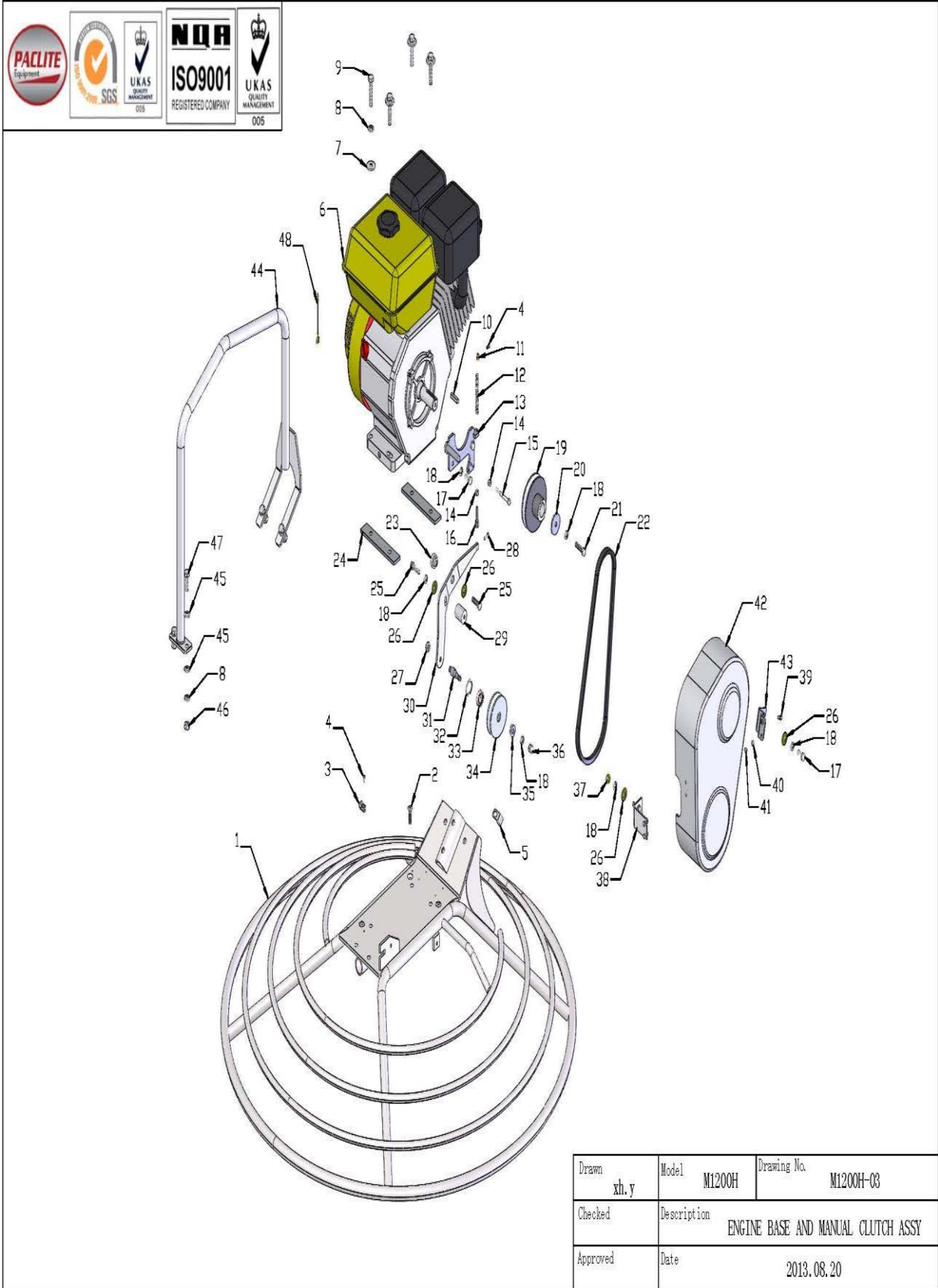


Drawn	xh. y	Model	M1200H	Drawing No.	M1200H-02
Checked		Description	GEARBOX ASSY		
Approved		Date	2013. 8. 20		

## M1200-03 ENGINE BASE AND CLUTCH ASSY

NO.	PART NO.	PART DESCRIPTION	QTY	UNIT PRICE EUR & USD 2015
03-1	M1200H-120GB-020000	GUARD RING	1	450,78
03-2	M1200H-HSF.S-M8x30	SOCKET COUNTERSUNK HEAD SCREW	4	0,59
03-3	M1200H-X1-J-10.4	CABLE CLAMP	1	0,23
03-4	M1200H-PAN.S-M4x10	PAN HEAD SCREW	2	0,18
03-5	M1200H-90GB-030900F	CLIP	1	6,92
03-6	M1200H-W05-GX270	ENGINE	1	
03-7	M1200H-WOD.W10-GB-1	WASHER	4	0,23
03-8	M1200H-HSPG.W10-DIN-1	SPRING WASHER, TANG ENDS	8	0,18
03-9	M1200H-FN.B-M10x50-8.8-DIN-1	BOLT	4	0,37
03-10	M1200H-Key.B-7x7x32	KEY	1	4,62
03-11	M1200H-947-99965	CABLE RETAINER	1	31,73
03-12	M1200H-2-0060	MANUAL CLUTCH SPRING	1	13,94
03-13	M1200H-947-01700	MOUNTING PLATE	1	83,09
03-14	M1200H-FN.N-M8-DIN-1	NUT	2	0,18
03-15	M1200H-FN.B-M6x60-8.8HALF-DIN-1	BOLT	1	0,23
03-16	M1200H-947-99971	CABLE ADJUSTER	1	11,54
03-17	M1200H-FN.B-M8x20-8.8-DIN-1	BOLT	3	0,23
03-18	M1200H-HSPG.W8-DIN-1	SPRING WASHER, TANG ENDS	7	0,18
03-19	M1200H-120GB-030500F	PTO PULLEY	1	64,91
03-20	M1200H-120GB-030600F	WASHER	1	5,77
03-21	M1200H-FN.B-M8x35-8.8-DIN-1	BOLT	1	0,14
03-22	M1200H-W02-A34	BELT	1	24,23
03-23	M1200H-947-99974	TENSIONING LEVER BUSH	1	30,58
03-24	M1200H-120GB-030800F	ENGINE PACKER	2	25,44
03-25	M1200H-FN.B-M8x30-8.8-DIN-1	BOLT	2	0,23
03-26	M1200H-WOD.W8-GB-1	WASHER	3	0,18
03-27	M1200H-FNL.N-M10-DIN-1	HEXAGON THIN NUT	1	0,23
03-28	M1200H-PAN.S-M5x16	PAN HEAD SCREW	1	0,18
03-29	M1200H-947-99913	THREADED BOSS	1	4,04
03-30	M1200H-947-99957	CLUTCH ARM	1	64,91
03-31	M1200H-947-99941	MANUAL CLUTCH BOLT	1	5,19
03-32	M1200H-CH.RG28	INTERNAL CIRCLIP	1	0,28
03-33	M1200H-W01-6001ZZ-J	BEARING	1	7,36
03-34	M1200H-947-99918	TENSIONING PULLEY	1	24,29
03-35	M1200H-947-99970	SPACER TOP HAT	1	6,92
03-36	M1200H-HC.N-M8-DIN-1	CAP NUT	1	0,28
03-37	M1200H-FN.N-M8-DIN-1	NUT	1	0,18
03-38	M1200H-947-08300	BELT GUARD BRACKET	1	6,99
03-39	M1200H-FN.B-M5X12-8.8	BOLT	4	0,18
03-40	M1200H-FN.W5-DIN-1	WASHER	4	0,18
03-41	M1200H-947-000017	LOCK NUT	4	2,31
03-42	M1200H-120GB-031000F	BELT GUARD	1	90,94
03-43	M1200H-120GB-030700F	GUARD BRACKET	1	5,84
03-44	M1200H-120GB-030200	LIFTING HANDLE	1	129,82
03-45	M1200H-FN.W10-DIN-1	WASHER	8	0,18
03-46	M1200H-FN.N-M10-DIN-1	NUT	4	0,23

03-47	M1200H-FN.B-M10x30-8.8-DIN-1	BOLT	4	0,32
03-48	M1200H-90GB-000015	WIRE	1	6,92



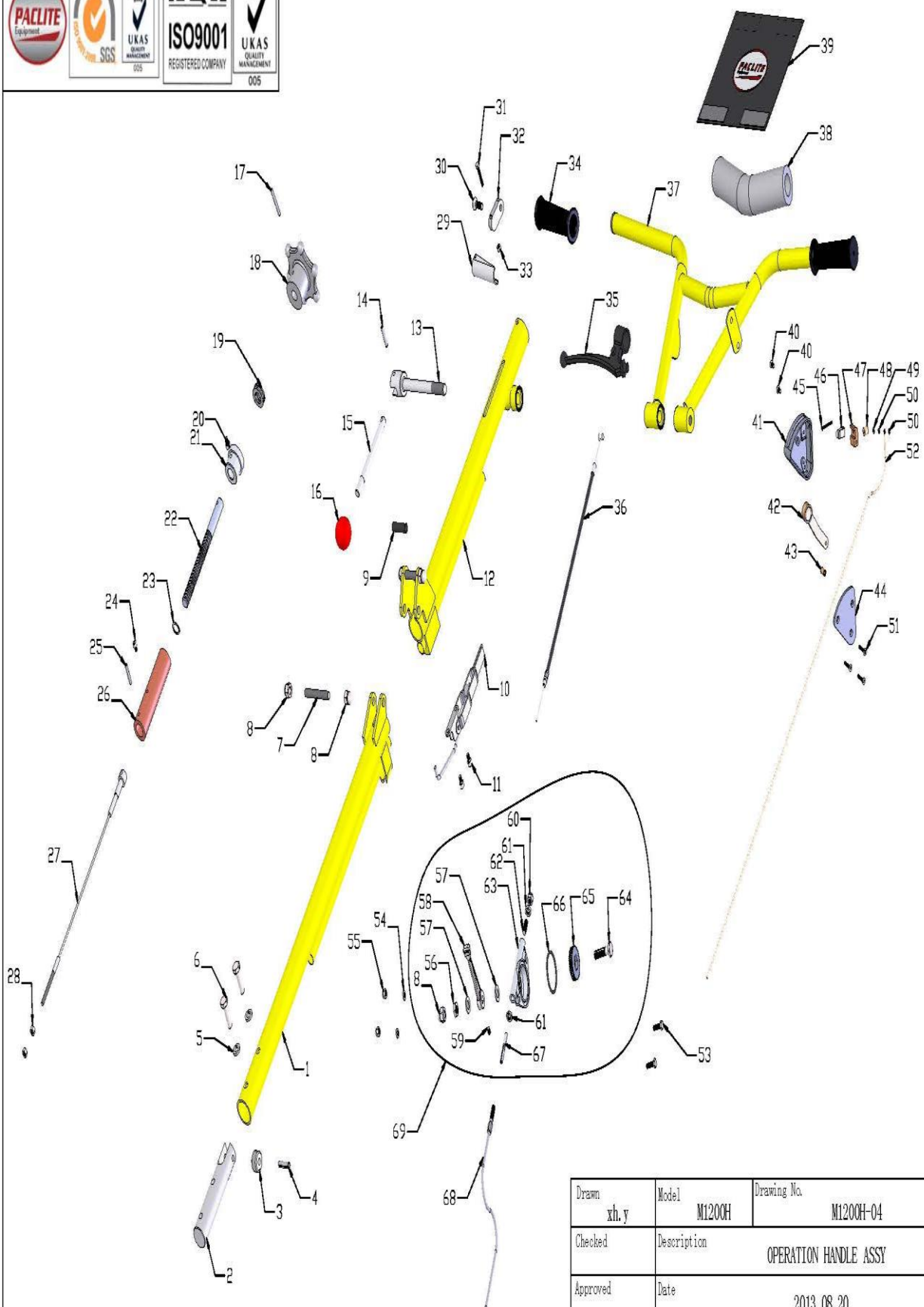
Drawn xh. y	Model M1200H	Drawing No. M1200H-03
Checked	Description ENGINE BASE AND MANUAL CLUTCH ASSY	
Approved	Date 2013. 08. 20	

## M1200-04 OPERATION HANDLE ASSY

NO.	PART NO.	PART DESCRIPTION	QTY	UNIT PRICE EUR & USD 2015
04-1	M1200H-120GB-090300F	HANDLE BOTTOM	1	157,95
04-2	M1200H-100G-010005	WHEEL BLOCK	1	15,58
04-3	M1200H-100G-010004	WHEEL	1	12,69
04-4	M1200H-SC.PIN-8x32	SPRING PIN	1	0,46
04-5	M1200H-HSPG.W10-DIN-1	SPRING WASHER, TANG ENDS	2	0,18
04-6	M1200H-FN.B-M10x35-8.8-DIN-1	BOLT	2	0,32
04-7	M1200H-750-020300	PIN	2	4,62
04-8	M1200H-HC.N-M10-DIN-2	CAP NUT	5	0,23
04-9	M1200H-120GB-090400F	HOSE	1	4,04
04-10	M1200H-750-020400	CLAMP	1	32,34
04-11	M1200H-HS.B-M6x10-8.8-GB-1	SCREW	2	0,18
04-12	M1200H-120GB-090100F	HANDLE UPPER	1	185,00
04-13	M1200H-947-06606	SCREWD-TOMMY BAR	1	38,08
04-14	M1200H-SC.PIN-6x30	SPRING PIN	1	0,32
04-15	M1200H-947-99947	BAR	1	6,99
04-16	M1200H-SH.A-M12x40	GRIP BALL	1	2,15
04-17	M1200H-SC.PIN-5x40	SPRING PIN	1	0,37
04-18	M1200H-100G-010008P	PITCH CONTROL KNOB	1	42,84
04-19	M1200H-W01-51103-J	BEARING	1	13,38
04-20	M1200H-HS.B-M6x8-8.8-GB-1	SCREW	1	0,18
04-21	M1200H-100G-010006	BEARING COVER	1	8,08
04-22	M1200H-100G-010003	ADJUSTING SCREW	1	16,19
04-23	M1200H-CS.RG16	EXTERNAL CIRCLIP	1	0,23
04-24	M1200H-HS.B-M5x8-8.8-GB-1	SCREW	1	0,18
04-25	M1200H-SC.PIN-5x30	SPRING PIN	1	0,32
04-26	M1200H-100G-010002	SLIDE BUSH	1	57,12
04-27	M1200H-120GB-000010	DEPTH CONTROL CABLE ASSY	1	12,19
04-28	M1200H-FN.N-M6-DIN-1	NUT	2	0,18
04-29	M1200H-947-01802	PRESSING CLUTCH AID	1	6,35
04-30	M1200H-HSF.S-M8x25	SOCKET COUNTERSUNK HEAD SCREW	1	0,23
04-31	M1200H-FN.B-M5x30-8.8-DIN-1	BOLT	1	0,18
04-32	M1200H-947-01801	CLUTCH LEVER CONNECTOR	1	9,23
04-33	M1200H-FN.N-M5-DIN-1	NUT	1	0,18
04-34	M1200H-100G-010001	HANDLE COVER	2	6,99
04-35	M1200H-947-99996	CONTROL LEVER	1	25,44
04-36	M1200H-947-99951	CLUTCH CABLE	1	34,04
04-37	M1200H-120GB-090200F	HANDLEBAR	1	139,92
04-38	M1200H-947-99998	HANDLE FOAM	1	8,65
04-39	M1200H-120GB-000005	HANDLE FABRIC	1	20,77
04-40	M1200H-F.S-M5x10	COUNTERSUNK HEAD SCREW	2	0,18
04-41	M1200H-100G-010101	CUTOUT SWITCH SHELL	1	9,23
04-42	M1200H-100G-010103	CUTOUT SWITCH LEVER	1	20,77
04-43	M1200H-100G-010104	CUTOUT SWITCH BUSH	1	1,20
04-44	M1200H-100G-010102	CUTOUT COVER	1	4,09
04-45	M1200H-F.S-M3x30	COUNTERSUNK HEAD SCREW	1	0,18
04-46	M1200H-100G-010107	CUTOUT SWITCH REED	1	3,46

04-47	M1200H-100G-010105	CUTOUT SWITCH OUTLET	1	2,94
04-48	M1200H-100G-010106	CUTOUT SWITCH WASHER	1	3,46
04-49	M1200H-FN.W3-DIN-2	WASHER	1	0,18
04-50	M1200H-FN.N-M3-DIN-1	NUT	2	0,18
04-51	M1200H-F.S-M4x25	COUNTERSUNK HEAD SCREW	3	0,18
04-52	M1200H-100G-000014	WIRE HARNESS	1	5,84
04-53	M1200H-FN.B-M6x20-8.8-DIN-2	BOLT	2	0,18
04-54	M1200H-SPG.W6-DIN-2	SPRING WASHER	2	0,18
04-55	M1200H-HC.N-M6-DIN-2	CAP NUT	2	0,18
04-56	M1200H-FNL.N-M10-DIN-2	HEXAGON THIN NUT	1	0,23
04-57	M1200H-FN.W10-DIN-2	WASHER	2	0,18
04-58	M1200H-70ND-060000	THROTTLE LEVER	1	22,50
04-59	M1200H-FHSS.S-M6x8-GB-3	SOCKET SCREW WITH FLAT HEAD	1	0,23
04-60	M1200H-HC.N-M8-DIN-2	CAP NUT	1	0,28
04-61	M1200H-FNL.N-M8-DIN-2	HEXAGON THIN NUT	2	0,18
04-62	M1200H-FHSS.S-M8x20-GB-3	SOCKET SCREW WITH FLAT HEAD	1	0,28
04-63	M1200H-70ND-060001	THROTTLE BODY	1	31,16
04-64	M1200H-70ND-060003	BOLT	1	12,69
04-65	M1200H-70ND-060002	THROTTLE GEAR	1	25,39
04-66	M1200H-W04-45x3	O-RING	1	4,62
04-67	M1200H-70ND-060004	SLIDER	1	7,50
04-68	M1200H-W06-S04-L1420x1620	THROTTLE CABLE	1	47,68
04-69	M1200H-70ND-010018	THROTTLE LEVER ASSY	1	77,94





Drawn	Model	Drawing No.
xh. y	M1200H	M1200H-04
Checked	Description	OPERATION HANDLE ASSY
Approved	Date	2013.08.20