

LCC40W-01-D MAIN FRAME ASSY.

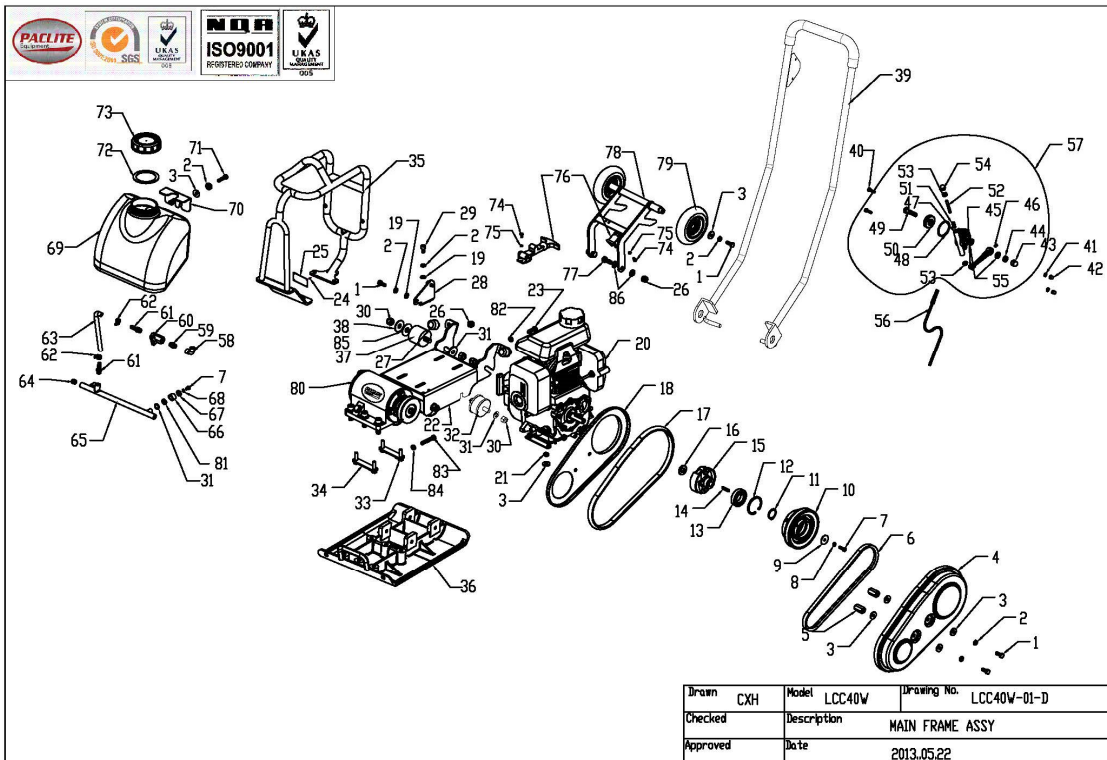
NO.	PART NO.	PART DESCRIPTION.	QTY	Unit Price (EUR) 2018
01-1	LCC40W-FN.B-M8x20-8.8-DIN-1	BOLT	4	€ 0,35
01-2	LCC40W-HSPG.W8-DIN-1	SPRING WASHER,TANG ENDS	10	€ 0,30
01-3	LCC40W-WOD.W8-GB-1	WASHER	10	€ 0,40
01-4	LCC40W-40-040000	OUTER BELT GUARD	1	€ 45,08
01-5	LCC40W-40-040200	CONNECTION POLE	2	€ 3,25
01-6	LCC40W-W02-A30	V-BELT	1	€ 29,80
01-7	LCC40W-FN.B-M6x20-8.8-DIN-1	BOLT	3	€ 0,30
01-8	LCC40W-HSPG.W6-DIN-1	SPRING WASHER,TANG ENDS	1	€ 0,35
01-9	LCC40W-40-070200	GASKET	1	€ 3,75
01-10	LCC40W-90P-031800	CLUTCH PULLEY	1	€ 73,60
01-11	LCC40W-CS.RG30	EXTERNAL CIRCLIP	3	€ 0,40
01-12	LCC40W-CH.RG55	INTERNAL CIRCLIP	1	€ 0,90
01-13	LCC40W-W01-6006ZZ-J	BEARING	1	€ 17,35
01-14	LCC40W-Key.A-5x5x30	KEY	1	€ 9,00
01-15	LCC40W-80-0500D	CENTRIFUGAL CLUTCH	1	€ 50,25
01-16	LCC40W-40-070100	GASKET	1	€ 2,65
01-17	LCC40W-40-040103	SEAL	1	€ 7,10
01-18	LCC40W-40-040100	INNER BELT GUARD	1	€ 52,45
01-19	LCC40W-FN.W8-DIN-1	WASHER	4	€ 0,30
01-20	LCC40W-W05-GX100U-SE14	ENGINE	1	€ 0,00
01-21	LCC40W-IN.N-M8-DIN-1	NUT	4	€ 0,35
01-22	LCC40W-400400	BASE FRAME	1	€ 93,64
01-23	LCC40W-FN.B-M10x25-8.8-DIN-1	BOLT	1	€ 0,45
01-24	LCC40W-K.RVT-3.2x7.1	RIVET	4	€ 10,30
01-25	LCC40W-80-0409	NAMEPLATE	1	€ 2,30
01-26	LCC40W-IN.N-M10-DIN-1	LOCK NUT	4	€ 0,40
01-27	LCC40W-80-0408	CUSHION	2	€ 15,15
01-28	LCC40W-100400	BRACKET	1	€ 19,70
01-29	LCC40W-HS.B-M8x16-8.8-GB-1	SCREW	2	€ 0,40
01-30	LCC40W-IN.N-M12-DIN-1	LOCK NUT	8	€ 0,50
01-31	LCC40W-FN.W12-DIN-1	WASHER	6	€ 1,30
01-32	LCC40W-40-060100	RUBBER ABSORBER	4	€ 121,80
01-33	LCC40W-40-030800-B	BOLT	1	€ 10,65
01-34	LCC40W-40-030900-B	BOLT	1	€ 10,60
01-35	LCC40W-100200-A	GUARD HOOK	1	€ 196,40
01-36	LCC40W-020000	BASE PLATE	1	€ 212,40
01-37	LCC40W-90B-030100	HANDRAIL ABSORBER	2	€ 21,10
01-38	LCC40W-WOD.W12-GB-1	WASHER	2	€ 0,65
01-39	LCC40W-300300	HANDRAIL	1	€ 96,60
01-40	LCC40W-FN.B-M6x20-8.8-DIN-2	BOLT	2	€ 0,30

LCC40W-01-D MAIN FRAME ASSY.

NO.	PART NO.	PART DESCRIPTION.	QTY	Unit Price (EUR) 2018
01-41	LCC40W-HSPG.W6-DIN-2	SPRING WASHER,TANG ENDS	2	€ 0,30
01-42	LCC40W-HC.N-M6-DIN-2	CAP NUT	2	€ 0,30
01-43	LCC40W-HC.N-M10-DIN-2	CAP NUT	1	€ 0,60
01-44	LCC40W-FNL.N-M10-DIN-2	HEXAGON THIN NUT	1	€ 0,40
01-45	LCC40W-70ND-060000	THROTTLE LEVER	1	€ 29,05
01-46	LCC40W-FHSS.S-M6x8-GB-3	SOCKET SCREW WITH FLAT HEAD	1	€ 0,35
01-47	LCC40W-70ND-060001	THROTTLE BODY	1	€ 38,95
01-48	LCC40W-W04-45x3	O-RING	1	€ 6,00
01-49	LCC40W-70ND-060003	BOLT	1	€ 16,55
01-50	LCC40W-70ND-060002	THROTTLE GEAR	1	€ 32,45
01-51	LCC40W-FHSS.S-M8x20-GB-3	SOCKET SCREW WITH FLAT HEAD	1	€ 3,30
01-52	LCC40W-70ND-060004	SLIDER	1	€ 9,70
01-53	LCC40W-FNL.N-M8-DIN-2	HEXAGON THIN NUT	2	€ 0,30
01-54	LCC40W-HC.N-M8-DIN-2	CAP NUT	1	€ 0,45
01-55	LCC40W-FN.W10-DIN-2	WASHER	2	€ 0,30
01-56	LCC40W-350-032600	THROTTLE CABLE	1	€ 64,92
01-57	LCC40W-70ND-010018	THROTTLE LEVER ASSY	1	€ 103,92
01-58	LCC40W-JT-ZG1/4	90° ELBOW	1	€ 11,25
01-59	LCC40W-BT-1/4	JOINT	1	€ 8,25
01-60	LCC40W-QF-1/4-NI	VALVE	1	€ 25,60
01-61	LCC40W-BT-1/4-10	HOSE NIPPLE	2	€ 11,50
01-62	LCC40W-90P-070006	HOSE CLAMP	2	€ 2,30
01-63	LCC40W-100500	HOSE	1	€ 2,25
01-64	LCC40W-HSHOS.B-ZG1/4	HEXAGONAL SOCKET HEAD PLUG	2	€ 1,40
01-65	LCC40W-100100-B	SPRINKLING PIPE	1	€ 40,25
01-66	LCC40W-100300	HEEL	2	€ 7,75
01-67	LCC40W-WOD.W6-GB-1	WASHER	2	€ 1,90
01-68	LCC40W-SPG.W6-DIN-1	SPRING WASHER	2	€ 0,30
01-69	LCC40W-90P-070000	WATER TANK	1	€ 110,60
01-70	LCC40W-90P-050300	WATER TANK CLIP	1	€ 36,80
01-71	LCC40W-FN.B-M8x35-8.8-DIN-1	BOLT	2	€ 0,40
01-72	LCC40W-6.5-070109	SEAL, WATER TANK COVER	1	€ 6,35
01-73	LCC40W-6.5-070108	WATER TANK CAP	1	€ 30,10
01-74	LCC40W-FN.B-M5x10-8.8-DIN-1	BOLT	2	€ 0,35
01-75	LCC40W-SPG.W5-DIN-1	SPRING WASHER	4	€ 0,30
01-76	LCC40W-500S-010505	BUCKLE	1	€ 40,50
01-77	LCC40W-FN.B-M10x25-8.8-DIN-1	BOLT	2	€ 0,45
01-78	LCC40W-200200	WHEEL FRAME	1	€ 38,65
01-79	LCC40W-60W-040200	WHEEL	2	€ 57,16
01-80	LCC40W-02	EXCITER ASSY	1	€ 0,00

LCC40W-01-D MAIN FRAME ASSY.

NO.	PART NO.	PART DESCRIPTION.	QTY	Unit Price (EUR) 2018
01-81	LCC40W-90P-010600	RUBBER WASHER	2	€ 4,50
01-82	LCC40W-FNL.N-M10-DIN-1	NUT	2	€ 0,40
01-83	LCC40W-FN.B-M8x50-8.8-DIN-1	BOLT	2	€ 0,40
01-84	LCC40W-FN.N-M8-DIN-1	NUT	2	€ 0,30
01-85	LCC40W-60W-010300.3	NYLON WASHER	2	€ 16,60
01-86	LCC40W-FN.W10-DIN-1	WASHER	4	€ 0,30



LCC40W-02-A EXCITER ASSY.

NO.	PART NO.	PART DESCRIPTION	QTY	Unit Price (EUR) 2018
02-1	LCC40W-FN.B-M8x30-8.8-DIN-1	BOLT	8	€ 0,40
02-2	LCC40W-HSPG.W8-DIN-1	SPRING WASHER,TANG ENDS	8	€ 0,30
02-3	LCC40W-FN.W8-DIN-1	WASHER	8	€ 0,30
02-4	LCC40W-40-010300	COVER	1	€ 15,75
02-5	LCC40W-W04-72x3.5	O RING	2	€ 5,40
02-6	LCC40W-W01-6306ZZ-J	BEARING	2	€ 34,80
02-7	LCC40W-CS.RG30	EXTERNAL CIRCLIP	2	€ 0,40
02-8	LCC40W-HHOS.B-M14x1.5	HEXAGON HEAD PLUG	1	€ 2,30
02-9	LCC40W-FN.W12-DIN-1	WASHER	6	€ 1,30
02-10	LCC40W-HSPG.W12-DIN-1	SPRING WASHER,TANG ENDS	6	€ 0,30
02-11	LCC40W-HS.B-M12x40-12.9-GB-3	BOLT	6	€ 0,50

LCC40W-01-D MAIN FRAME ASSY.

NO.	PART NO.	PART DESCRIPTION.	QTY	Unit Price (EUR) 2018
02-12	LCC40W-40-010200-P	EXCITER HOUSING	1	€ 124,88
02-13	LCC40W-40-010100E	EXITING SHAFT	1	€ 36,10
02-14	LCC40W-40-010400	COVER	1	€ 13,50
02-15	LCC40W-W03-55x30x10	OIL SEAL	1	€ 6,10
02-16	LCC40W-40-060200	EXCITER PULLEY	1	€ 57,12
02-17	LCC40W-80-0303	PULLEY WASHER	1	€ 3,05
02-18	LCC40W-HSPG.W10-DIN-1	SPRING WASHER,TANG ENDS	1	€ 0,30
02-19	LCC40W-90B-010800	VENT SCREW	1	€ 3,00

