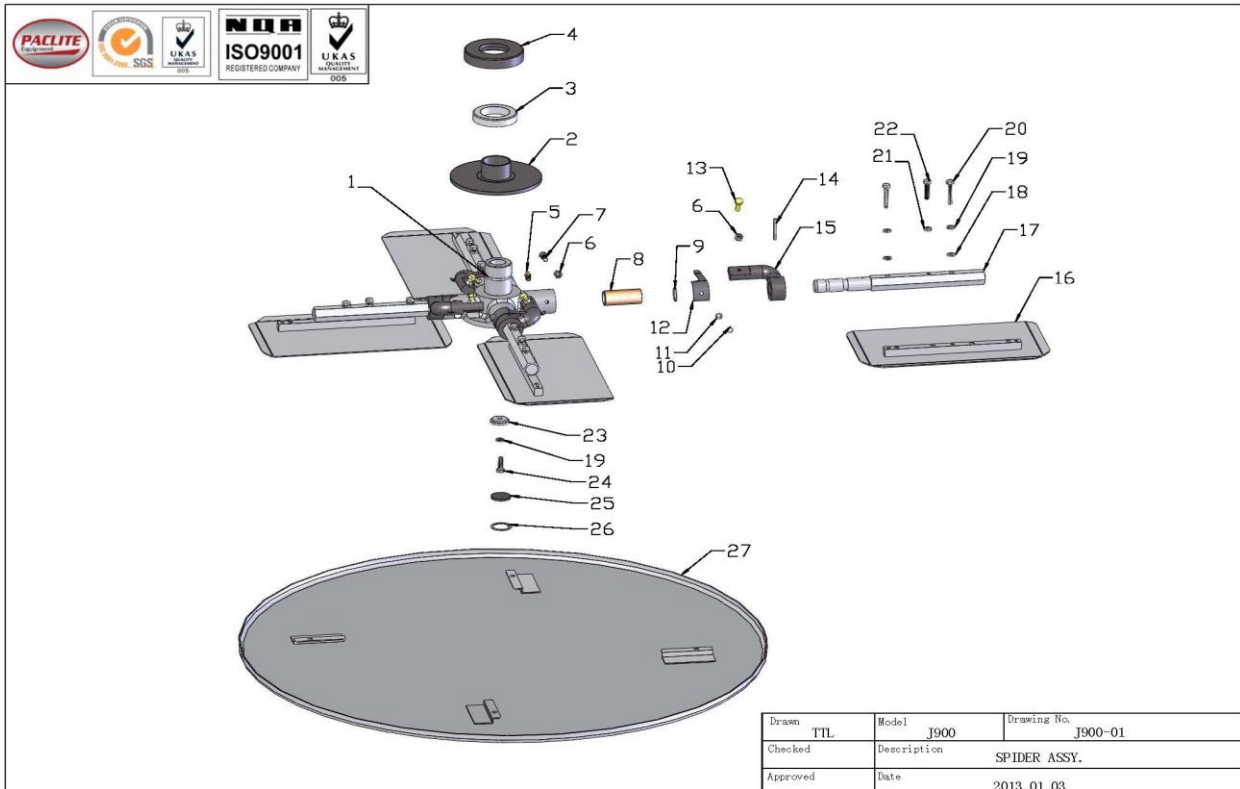


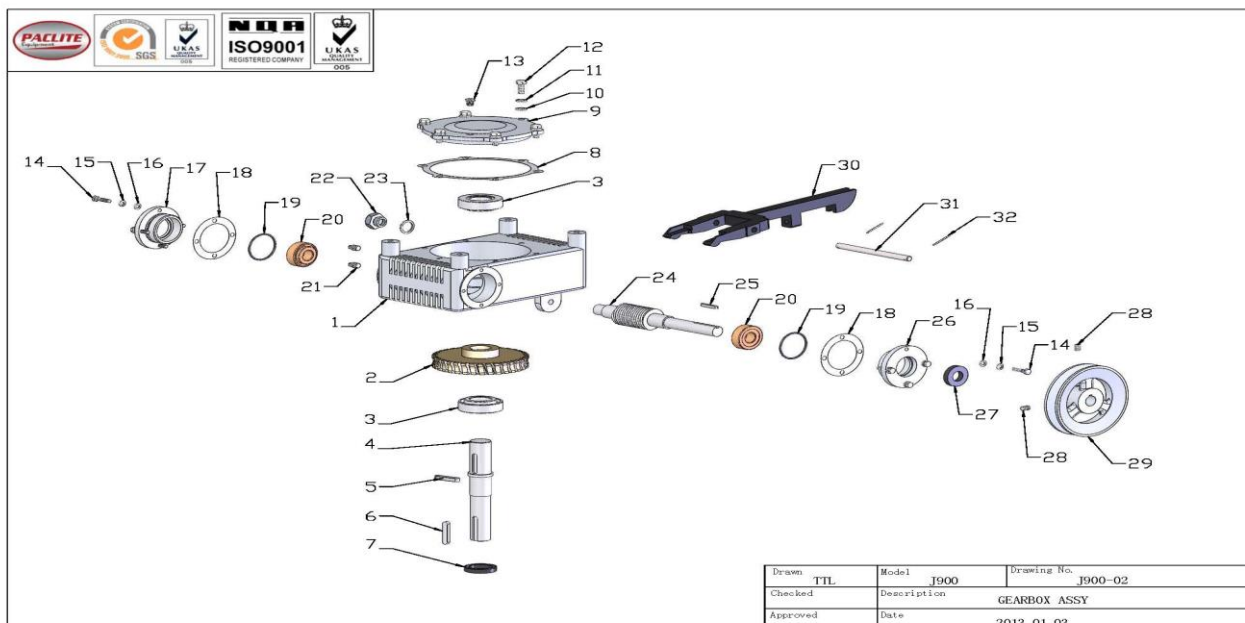
J900-01 SPIDER ASSY

NO.	PART NO.	PART DESCRIPTION	QTY	UNIT PRICE EUR & USD 2015
01-1	J900-947-00609	SPIDER	1	306,53
01-2	J900-947-00603	TILT PLATE	1	77,90
01-3	J900-W01-NIS-55TNK29	BEARING	1	25,39
01-4	J900-947-00605	BEARING HOUSING	1	25,99
01-5	J900-TOL-T-001	GREASE NIPPLE	4	0,41
01-6	J900-FN.N-M8-DIN-1	NUT	8	0,18
01-7	J900-FN.B-M8x20-8.8-DIN-1	BOLT	4	0,23
01-8	J900-50-000067	SPIIDER BUSH	4	35,79
01-9	J900-W04-26x2	O RING	4	0,46
01-10	J900-FN.B-M6x10-8.8-DIN-1	BOLT	4	0,18
01-11	J900-HSPG.W6-DIN-1	SPRING WASHER,TANG ENDS	4	0,18
01-12	J900-947-00604	SPRING SLICE	4	13,85
01-13	J900-SHH.B-M8x25	BOLT	4	0,55
01-14	J900-SC.PIN-5x40	SPRING PIN	4	0,37
01-15	J900-947-00602	TILT ARM	4	19,04
01-16	J900-111.8.002	COMBINATION BLADE	4	23,09
01-17	J900-947-00601	SPIDER ARM	4	65,79
01-18	J900-FN.W8-DIN-1	WASHER	8	0,18
01-19	J900-HSPG.W8-DIN-1	SPRING WASHER, TANG ENDS	9	0,18
01-20	J900-FN.B-M8x45-8.8-DIN-1	BOLT	8	0,18
01-21	J900-FNL.N-M8-DIN-1	HEXAGON THIN NUT	4	0,18
01-22	J900-FN.B-M8x35-8.8-DIN-1	BOLT	4	0,23
01-23	J900-947-99945	WASHER	1	6,95
01-24	J900-FN.B-M8x25-8.8-DIN-1	BOLT	1	0,23
01-25	J900-100G-040305	RUBBER WASHER	1	0,87
01-26	J900-CH.RG36	INTERNAL CIRCLIP	1	0,37
01-27	J900-100GB-080000P	ROUND PAN	1	95,22



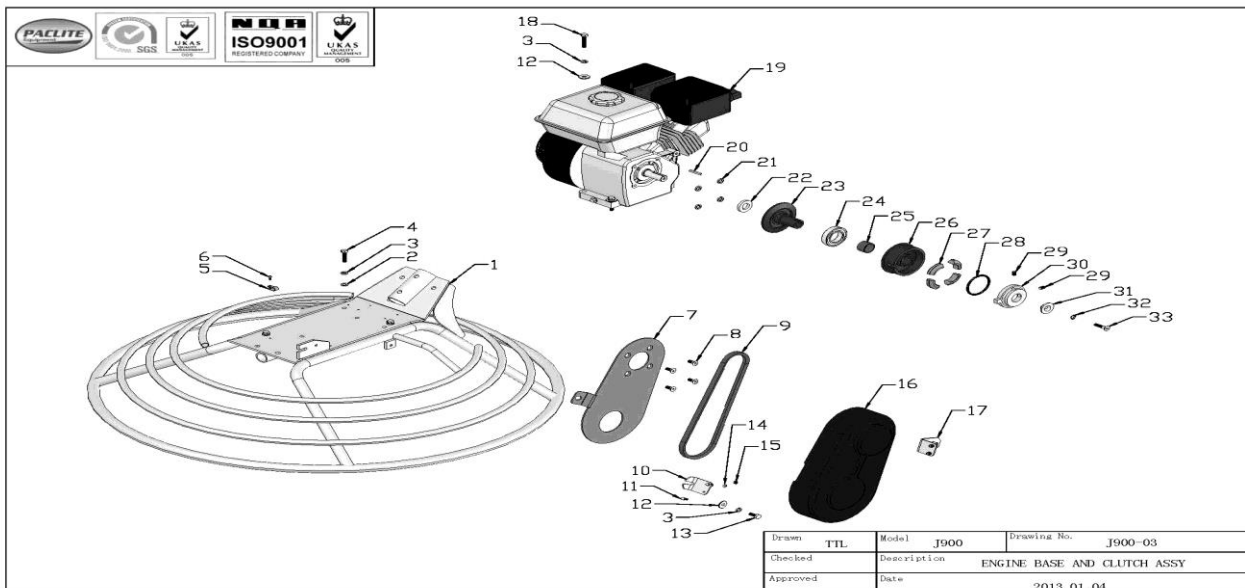
J900-02 GEARBOX ASSY

NO.	PART NO.	PART DESCRIPTION	QTY	UNIT PRICE EUR & USD 2015
02-1	J900-947-040001	WORM GEAR BOX	1	432,75
02-2	J900-100GB-040107	WORM GEAR	1	342,59
02-3	J900-W01-32206-J	BEARING	2	28,15
02-4	J900-100GB-040115	WORM GEAR SHAFT	1	162,29
02-5	J900-Key.A-8x7x40	KEY	1	4,60
02-6	J900-Key.A-8x7x45	KEY	1	4,60
02-7	J900-W03-45x30x8	OIL SEAL	1	4,69
02-8	J900-100GB-040402	SEAL, TOP COVER	1	4,69
02-9	J900-100GB-040110	TOP COVER	1	25,39
02-10	J900-FN.W8-DIN-1	WASHER	6	0,18
02-11	J900-HSPG.W8-DIN-1	SPRING WASHER , TANG ENDS	6	0,18
02-12	J900-FN.B-M8x20-8.8-DIN-1	BOLT	6	0,23
02-13	J900-100G-000004	VENT SCREW	1	3,45
02-14	J900-FN.B-M6x25-8.8-DIN-1	BOLT	8	0,18
02-15	J900-HSPG.W6-DIN-1	SPRING WASHER , TANG ENDS	8	0,18
02-16	J900-FN.W6-DIN-1	WASHER	8	0,18
02-17	J900-100GB-040302	CLOSE COVER	1	24,24
02-18	J900-100GB-040401	SEAL, SIDE COVER	2	4,69
02-19	J900-W04-47.7x2.65	O RING	2	4,69
02-20	J900-W01-32204-J	BEARING	2	38,13
02-21	J900-100GB-040111	STOPPER	2	2,30
02-22	J900-100GB-041000	OIL GAUGE	1	24,24
02-23	J900-ZH-D-M20	WASHER	1	0,41
02-24	J900-120GB-040308	WORM	1	255,33
02-25	J900-Key.A-5x5x32	KEY	1	4,60
02-26	J900-100GB-040310	SIDE COVER	1	24,24
02-27	J900-W03-40x20x8	OIL SEAL	1	4,69
02-28	J900-FHSS.S-M8x12-GB-3	GRUB SCREW	2	0,23
02-29	J900-947-99910	GEARBOX PULLEY	1	86,25
02-30	J900-100G-060400	TILT YOKE	1	29,99
02-31	J900-100G-060500	SHAFT	1	4,60
02-32	J900-SP.PIN-2x26	SPLIT PIN	2	0,18



J900-03 ENGINE BASE AND CLUTCH ASSY

NO.	PART NO.	PART DESCRIPTION	QTY	UNIT PRICE EUR & USD 2015
03-1	J900-020000	GUARD RING	1	315,36
03-2	J900-FN.W8-DIN-1	WASHER	4	0,18
03-3	J900-HSPG.W8-DIN-1	SPRING WASHER	10	0,18
03-4	J900-FN.B-M8x35-8.8-GB-1	BOLT	4	0,23
03-5	J900-X1-J-10.4	CABLE CLAMP	1	0,23
03-6	J900-PAN.S-M4x10	PAN HEAD SCREW	1	0,18
03-7	J900-030400	BACK PLATE	1	51,75
03-8	J900-HSF.S-M8x20-DIN-1	SOCKET COUNTERSUNK HEAD SCREW	4	0,41
03-9	J900-W02-A29	V-BELT	1	21,94
03-10	J900-947-00402	BRACKET 1	1	9,38
03-11	J900-FN.B-M5x12-8.8-DIN-1	BOLT	4	0,18
03-12	J900-WOD.W8-GB-1	WASHER	6	0,18
03-13	J900-FN.B-M8x20-8.8-DIN-1	BOLT	2	0,23
03-14	J900-FN.W5	WASHER	4	0,18
03-15	J900-947-000017	LOCK NUT	4	2,30
03-16	J900-100G-030100	BELT GUARD	1	45,06
03-17	J900-100G-030300	BRACKET 2	1	5,06
03-18	J900-FN.B-M8x40-8.DIN-1	BOLT	4	0,28
03-19	J900-W05-GX160H1-SX	ENGINE	1	
03-20	J900-Key.B-5x5x32	KEY	1	6,90
03-21	J900-90GB-030500	BUSH	4	3,96
03-22	J900-276-030400	BUSH, PTO	1	7,77
03-23	J900-100GB-070101	SHAFT	1	50,06
03-24	J900-W01-6007ZZ	BEARING	1	36,60
03-25	J900-100G-070500	BUSH	1	15,00
03-26	J900-100GB-070105	CLUTCH DRUM	1	38,64
03-27	J900-100G-070400	CLUTCH BLOCK	4	3,08
03-28	J900-100G-070109	SPRING	1	1,56
03-29	J900-FHSS.S-M8x12-GB-3	GRUB SCREW	1	0,23
03-30	J900-100G-070300	CLUTCH PLATE	1	24,84
03-31	J900-90GB-030600	END CAP	1	11,64
03-32	J900-CETL.W8	COUNTERSUNK EXTERNAL TOOTHED LOCK WASHER	1	0,14
03-33	J900-HSF.S-M8x35-DIN-1	SOCKET COUNTERSUNK HEAD SCREW	1	0,32



J900-04 OPERATION HANDLE ASSY

NO.	PART NO.	PART DESCRIPTION	QTY	UNIT PRICE EUR & USD 2015
04-1	J900-100G-010005	WHEEL BLOCK	1	15,59
04-2	J900-100G-010004	WHEEL	1	12,70
04-3	J900-SC.PIN-8x32	SPRING PIN	1	0,41
04-4	J900-HSPG.W10-DIN-1	SPRING WASHER,TANG ENDS	2	0,18
04-5	J900-FN.B-M10x35-8.8-DIN-1	BOLT	2	0,32
04-6	J900-120GB-090100P	HANDLE BOTTOM	1	139,93
04-7	J900-100GBII-000003	SPRING CLIP 2	1	4,37
04-8	J900-100GBII-000001	SPRING CLIP 1	1	4,37
04-9	J900-HS.B-M5x8-8.8-GB-1	SCREW	5	0,18
04-10	J900-100GBII-000002	LIFTING TUBE	1	20,06
04-11	J900-947-06606	SCREWD-TOMMY BAR	1	38,09
04-12	J900-SC.PIN-6x30	SPRING PIN	1	0,32
04-13	J900-947-99947	BAR	1	6,95
04-14	J900-SH.A-M12x40	GRIP BALL	1	2,12
04-15	J900-SC.PIN-5x40	SPRING PIN	1	0,37
04-16	J900-100G-010008P	PITCH CONTROL KNOB	1	42,85
04-17	J900-W01-51103-J	BEARING	1	13,39
04-18	J900-HS.B-M6x8-8.8-GB-1	SCREW	1	0,18
04-19	J900-100G-010006	BEARING COVER	1	8,10
04-20	J900-100G-010003	ADJUSTING SCREW	1	16,15
04-21	J900-CS.RG16	EXTERNAL CIRCLIP	1	0,23
04-22	J900-SC.PIN-5x30	SPRING PIN	1	0,32
04-23	J900-100G-010002	SLIDE BUSH	1	57,13
04-24	J900-120GB-000010	DEPTH CONTROL CABLE ASSY	1	12,19
04-25	J900-FN.N-M6-DIN-1	NUT	2	0,18
04-26	J900-100G-010001	HANDLE COVER	2	6,95
04-27	J900-120GB-090200F	HANDLEBAR	1	139,93
04-28	J900-947-99998	HANDLE FOAM	1	8,65
04-29	J900-120GB-000005	HANDLE FABRIC	1	20,79
04-30	J900-F.S-M5x10	COUNTERSUNK HEAD SCREW	2	0,18
04-31	J900-100G-010101	CUTOUT SWITCH SHELL	1	9,25
04-32	J900-100G-010103	CUTOUT SWITCH LEVER	1	20,79
04-33	J900-100G-010104	CUTOUT SWITCH BUSH	1	1,20
04-34	J900-100G-010102	CUTOUT COVER	1	4,09
04-35	J900-F.S-M3x30-DIN-1	COUNTERSUNK HEAD SCREW	1	0,18
04-36	J900-100G-010107	CUTOUT SWITCH REED	1	3,45
04-37	J900-100G-010105	CUTOUT SWITCH OUTLET	1	2,94
04-38	J900-100G-010106	CUTOUT SWITCH WASHER	1	3,45
04-39	J900-FN.W3-DIN-2	WASHER	1	0,18
04-40	J900-FN.N-M3-DIN-2	NUT	2	0,18
04-41	J900-F.S-M4x25-DIN-1	COUNTERSUNK HEAD SCREW	3	0,18
04-42	J900-100G-000014	WIRE HARNESS	1	5,84
04-43	J900-FN.B-M6x20-8.8-DIN-2	BOLT	2	0,18
04-44	J900-HSPG.W6-DIN-1	SPRING WASHER,TANG ENDS	2	0,18
04-45	J900-HC.N-M6-DIN-2	CAP NUT	2	0,18
04-46	J900-HC.N-M10-DIN-2	CAP NUT	1	0,46
04-47	J900-FNL.N-M10-DIN-2	HEXAGON THIN NUT	1	0,18
04-48	J900-FN.W10-DIN-2	WASHER	2	0,18
04-49	J900-70ND-060000	THROTTLE LEVER	1	22,31
04-50	J900-FHSS.S-M6x8-GB-3	SOCKET SCREW WITH FLAT HEAD	1	0,23
04-51	J900-HC.N-M8-DIN-2	CAP NUT	1	0,28
04-52	J900-FNL.N-M8-DIN-2	HEXAGON THIN NUT	2	0,23

04-53	J900-FHSS.S-M8x20-GB-3	SOCKET SCREW WITH FLAT HEAD	1	0,28
04-54	J900-70ND-060001	THROTTLE BODY	1	29,90
04-55	J900-70ND-060003	BOLT	1	12,47
04-56	J900-70ND-060002	THROTTLE GEAR	1	24,93
04-57	J900-W04-45x3	O-RING	1	4,60
04-58	J900-70ND-060004	SLIDER	1	7,45
04-59	J900-W06-S04-L1420x1620	THROTTLE CABLE	1	47,68
04-60	J900-70ND-010018	THROTTLE LEVER ASSY	1	77,94

