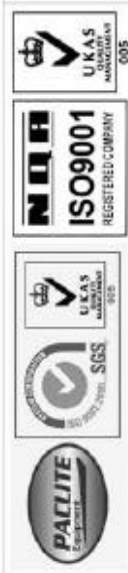


## HTL350-01 MAIN CHASSIS UNIT

NO.	PART NO.	PART DESCRIPTION	QTY	Prix de vente Internet
01-1	HTL350-FN.B-M10x25-8.8-DIN-2	BOLT	2	0,24 €
01-2	HTL350-HSPG.W10-DIN-2	SPRING WASHER, TANG ENDS	2	0,16 €
01-3	HTL350-022200	WASHER	2	3,56 €
01-4	HTL350-021600	NUT	8	3,56 €
01-5	HTL350-000001	WHEEL	2	120,42 €
01-6	HTL350-W01-6204ZZ-J	BEARING	4	9,08 €
01-7	HTL350-021400	WHEEL HUB	2	132,51 €
01-8	HTL350-010000	MIAN CHASSIS	1	222,04 €
01-9	HTL350-010300	RUBBER GROMMET	3	2,48 €
01-10	HTL350-W05-GXV160UH2-N1F	ENGINE	1	330,00 €
01-11	HTL350-FN.W8-DIN-2	WASHER	24	3,56 €
01-12	HTL350-HSPG.W8-DIN-2	SPRING WASHER, TANG ENDS	13	0,16 €
01-13	HTL350-FN.B-5/16-24x1¼-DIN-2	BOLT	4	0,84 €
01-14	HTL350-020302	BUSH	1	18,56 €
01-15	HTL350-020301	PULLEY	1	32,12 €
01-16	HTL350-FN.B-M8x45-8.8HALF-DIN-2	BOLT	4	0,24 €
01-17	HTL350-IN.N-M8-DIN-2	LOCK NUT	19	0,20 €
01-18	HTL350-FN.N-M8-DIN-2	NUT	5	0,16 €
01-19	HTL350-FN.B-M8x55-8.8HALF-DIN-2	BOLT	3	0,24 €
01-20	HTL350-022000	PIN	1	7,56 €
01-21	HTL350-FN.B-M8x35-8.8HALF-DIN-2	BOLT	1	0,24 €
01-22	HTL350-FN.B-M8x20-8.8-DIN-2	BOLT	8	0,36 €
01-23	HTL350-020500	TRANSAXLE BRACKET B	1	5,04 €
01-24	HTL350-020400	TRANSAXLE BRACKET A	1	5,04 €
01-25	HTL350-HF.B-5/16-18x5/8-8.8-DIN-2	HEXAGON FLANGE BOLT	2	0,36 €
01-26	HTL350-010100	SOLEPLATE	1	100,50 €
01-27	HTL350-WOD.W8-GB-2	WASHER	8	0,16 €
01-28	HTL350-032300	LOCK BOLT	2	4,00 €
01-29	HTL350-022100	BUSH	2	5,04 €
01-30	HTL350-021300	SLIDE PLATE	1	8,00 €
01-31	HTL350-021200	SPRING	2	1,44 €
01-32	HTL350-FN.B-M12x45-8.8HALF-DIN-2	BOLT	1	0,40 €
01-33	HTL350-CH.RG32	INTERNAL CIRCLIP	1	0,32 €
01-34	HTL350-W01-6201ZZ-J	BEARING	1	5,68 €
01-35	HTL350-021000	TENSION PULLEY	1	20,08 €
01-36	HTL350-021100	BUSH,TENSION PULLEY	1	6,60 €
01-37	HTL350-020900	TENSION PULLEY ARM	1	21,08 €
01-38	HTL350-FN.W12-DIN-2	WASHER	2	0,16 €
01-39	HTL350-IN.N-M12-DIN-2	LOCK NUT	3	0,28 €
01-40	HTL350-FN.B-M8x25-8.8-DIN-2	BOLT	2	0,20 €
01-41	HTL350-FN.B-M12x60-8.8-DIN-2	BOLT	1	4,72 €

## HTL350-01 MAIN CHASSIS UNIT

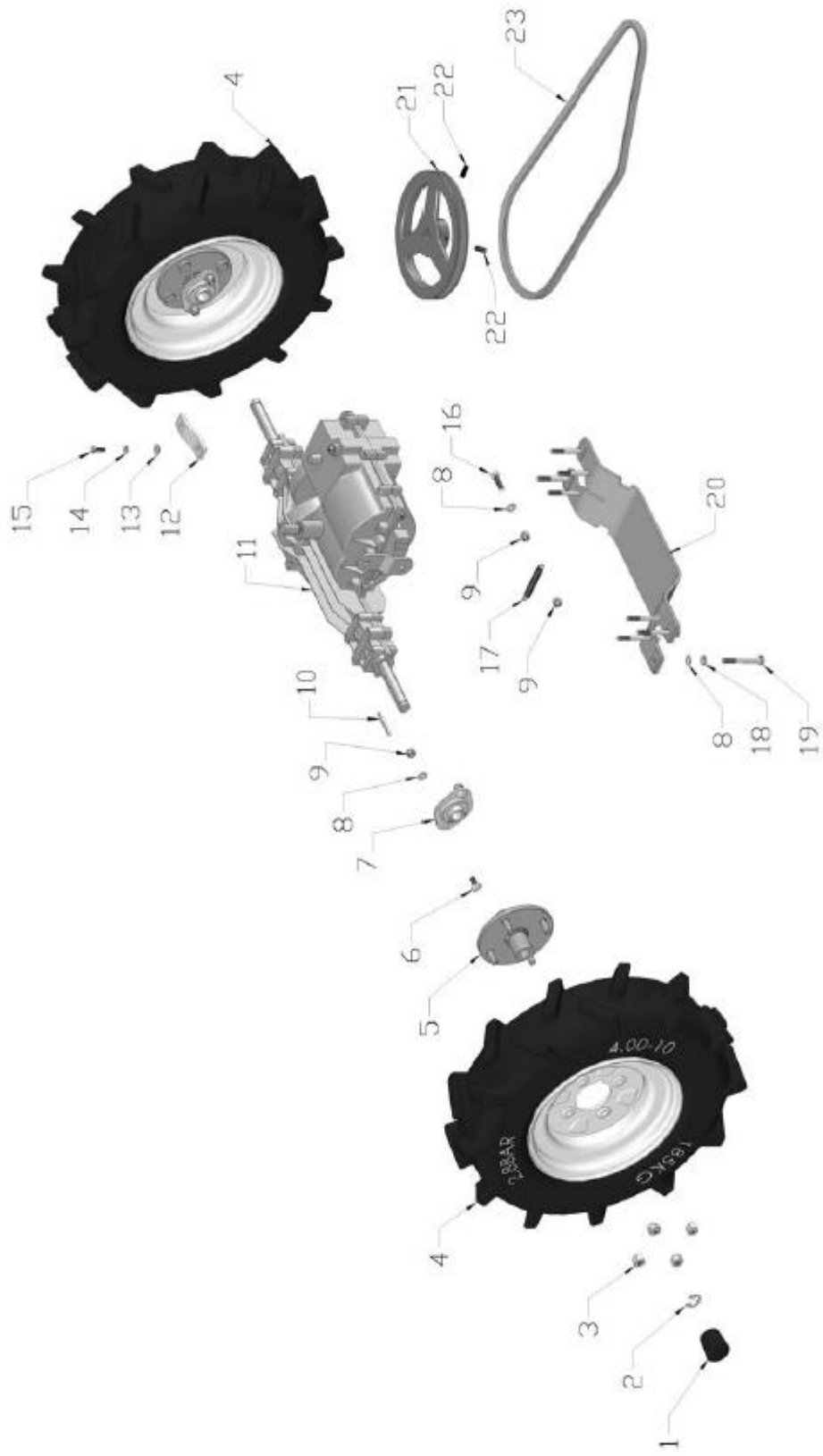
NO.	PART NO.	PART DESCRIPTION	QTY	Prix de vente Internet
01-42	HTL350-020800	BUSH	1	6,60 €
01-43	HTL350-020700	GUIDE TUBE	1	7,56 €
01-44	HTL350-CHSN.B-M12x50-GB-2	SQUARE NECKBOLT	1	1,00 €
01-45	HTL350-FN.B-M8x30-8.8-DIN-2	BOLT	2	0,20 €
01-46	HTL350-020600	TENSION PULLEY BRACKET	1	20,08 €
01-47	HTL350-CHSN.B-M10x20-GB-2	SQUARE NECKBOLT	2	0,24 €
01-48	HTL350-021800	CATCH	1	21,08 €
01-49	HTL350-FN.W10-DIN-2	WASHER	2	0,16 €
01-50	HTL350-IN.N-M10-DIN-2	LOCK NUT	2	0,24 €
01-51	HTL350-021700	BUCKET	1	357,24 €
01-52	HTL350-650-023100	GRIP	1	25,12 €



Drawn	L. C	Model	HTL350	Drawing No.	HTL350-01
Checked		Description	MAIN CHASSIS UNIT (车架部分)		
Approved		Date	2010.5.18		

## HTL350-02 TRANSMISSION UNIT

NO.	PART NO.	PART DESCRIPTION	QTY	Prix de vente Internet
02-1	HTL350-021900	CAP	2	2,48 €
02-2	HTL350-ET.RG15	LOCK WASHER FOR SHAFTS	2	0,24 €
02-3	HTL350-021600	NUT	8	3,56 €
02-4	HTL350-000001	WHEEL	2	120,42 €
02-5	HTL350-021500	FLANGE, FRONT WHEEL	2	132,51 €
02-6	HTL350-CHSN.B-M8x20-GB-2	BOLT	4	4,72 €
02-7	HTL350-FN.W8-DIN-2	WASHER	17	0,16 €
02-8	HTL350-W01-PFT3/4TF-J	BEARING	2	80,52 €
02-9	HTL350-IN.N-M8-DIN-2	LOCK NUT	6	0,20 €
02-10	HTL350-Key.A-4.76x4.76x50.8	KEY	2	4,72 €
02-11	HTL350-020000	TRANSAXLE	1	338,67 €
02-12	HTL350-020100	TRIGGER	1	3,04 €
02-13	HTL350-WOD.W6-GB-2	WASHER	1	7,56 €
02-14	HTL350-HSPG.W6-DIN-2	SPRING WASHER, TANG ENDS	1	0,16 €
02-15	HTL350-FN.B-1/4-28x3/4-DIN-2	BOLT	1	0,36 €
02-16	HTL350-032300	LOCK BOLT	1	4,00 €
02-17	HTL350-021200	SPRING	1	1,44 €
02-18	HTL350-HSPG.W8-DIN-2	SPRING WASHER, TANG ENDS	8	0,16 €
02-19	HTL350-FN.B-M8x70-8.8HALF-DIN-2	BOLT	8	0,28 €
02-20	HTL350-010200	TRANSAXLE BRACKET	1	38,12 €
02-21	HTL350-020200	TRANSAXLE PULLEY	1	32,64 €
02-22	HTL350-FHSS.S-M8x20-GB-3	SOCKET SCREW WITH FLAT HEAD	2	0,24 €
02-23	HTL350-W02-SPA1400	V-BELT	1	21,08 €

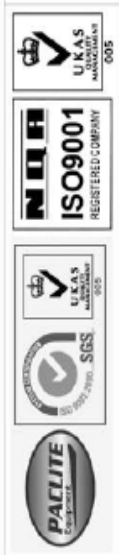


Drawn	L. C	Model	HTL350	Drawing No.	HTL350-02
Checked		Description	TRANSMISSION UNIT (传动部分)		
Approved		Date	2010. 1. 15		

## HTL350-03 OPERATION UNIT

NO.	PART NO.	PART DESCRIPTION	Prix de vente Internet
03-1	HTL350-70B-010112P	FUEL TANK CAP	30,09 €
03-3	HTL350-70ND-010114	STRAINER	16,04 €
03-4	HTL350-HC.N-M6-DIN-2	CAP NUT	0,20 €
03-5	HTL350-HSPG.W6-DIN-2	SPRING WASHER, TANG ENDS	0,16 €
03-6	HTL350-WOD.W6-GB-2	WASHER	7,56 €
03-7	HTL350-032000	BUSH	1,00 €
03-8	HTL350-FN.B-M6x20-8.8-DIN-2	BOLT	0,16 €
03-9	HTL350-FN.B-M6x16-8.8-DIN-2	BOLT	0,16 €
03-10	HTL350-030100	COVER	56,46 €
03-11	HTL350-70B-010109	FUEL TANK	79,02 €
03-12	HTL350-70B-010110	STRAINER	18,56 €
03-13	HTL350-70ND-010115	PACKING	6,04 €
03-14	HTL350-85d-010113	FUEL TANK CAP ,BOTTOM	28,08 €
03-15	HTL350-70B-000020	FUEL VALVE	40,26 €
03-16	HTL350-032900	HOSE BAND	4,72 €
03-17	HTL350-032200	FUEL HOSE	0,96 €
03-18	HTL350-WOD.W8-GB-2	WASHER	0,16 €
03-19	HTL350-HSPG.W8-DIN-2	SPRING WASHER, TANG ENDS	0,16 €
03-20	HTL350-FN.B-M8x25-8.8-DIN-2	BOLT	0,20 €
03-21	HTL350-947-99921	HANDLE COVER	3,04 €
03-22	HTL350-031500	RIGHT LOADING WHEEL LEVER	33,09 €
03-23	HTL350-031400	LEFT LOADING WHEEL LEVER	33,09 €
03-24	HTL350-FN.B-M8x20-8.8-DIN-2	BOLT	0,36 €
03-25	HTL350-CPT80-0319	WASHER	4,72 €
03-26	HTL350-000002	LOADING WHEEL	37,29 €
03-27	HTL350-031300	RIGHT LOADING WHEEL COVER	23,60 €
03-28	HTL350-CHSN.B-M12x40-GB-2	SQUARE NECKBOLT	0,96 €
03-29	HTL350-031600	WASHER	4,00 €
03-30	HTL350-FN.W12-DIN-2	WASHER	0,16 €
03-31	HTL350-IN.N-M12-DIN-2	LOCK NUT	0,20 €
03-32	HTL350-FN.B-M12x35-8.8-DIN-2	BOLT	4,00 €
03-33	HTL350-031700	BUSH	6,04 €
03-34	HTL350-031800	WASHER	6,04 €
03-35	HTL350-CHSN.B-M8x25-GB-2	BOLT	0,20 €
03-36	HTL350-FN.W8-DIN-2	WASHER	0,16 €
03-37	HTL350-IN.N-M8-DIN-2	LOCK NUT	0,20 €
03-38	HTL350-031100	FRICTION WHEEL SHAFT	51,93 €
03-39	HTL350-031200	LEFT FRICTION WHEEL COVER	21,08 €
03-40	HTL350-032700	GRIP ,GEAR SELECTOR ROD	2,48 €
03-41	HTL350-030400	GEAR SELECTOR ROD	31,23 €
03-42	HTL350-030600	NYLON BUSH	9,08 €

<b>HTL350-03 OPERATION UNIT</b>			
<b>NO.</b>	<b>PART NO.</b>	<b>PART DESCRIPTION</b>	<b>Prix de vente Internet</b>
03-43	HTL350-030500	BUSH	10,04 €
03-44	HTL350-FHSS.S-M8x6-GB-2	GRUB SCREW	0,36 €
03-45	HTL350-030900	UNIVERSAL JOINT	19,80 €
03-46	HTL350-032100	NUT L.H	7,56 €
03-47	HTL350-030800	THREADED BAR	12,60 €
03-48	HTL350-FN.N-M10-DIN-2	NUT	6,48 €
03-49	HTL350-031000	UNIVERSAL JOINT	21,08 €
03-50	HTL350-IN.N-M10-DIN-2	LOCK NUT	0,24 €
03-51	HTL350-FN.N-M8-DIN-2	NUT	0,16 €
03-52	HTL350-030700	CONNECTOR	6,04 €
03-53	HTL350-FN.B-M8x35-8.8-DIN-2	BOLT	0,24 €
03-54	HTL350-000003	HAND GRIP	1,52 €
03-55	HTL350-032500	CONTROL LEVER	39,18 €
03-56	HTL350-032402	CONTROL LEVER	32,64 €
03-57	HTL350-032401	CONTROL LEVER	38,40 €
03-58	HTL350-032800	ADJUSTING SCREW	11,20 €
03-59	HTL350-031900	CONTROL CABLE	52,71 €
03-60	HTL350-030000	HANDLE	128,70 €
03-61	HTL350-030200	LEFT BRACKET	19,56 €
03-62	HTL350-FN.B-M10x30-8.8-DIN-2	BOLT	0,24 €
03-63	HTL350-FN.W10-DIN-2	WASHER	0,16 €
03-64	HTL350-HSPG.W10-DIN-2	SPRING WASHER, TANG ENDS	0,16 €
03-65	HTL350-FN.B-M10x25-8.8-DIN-2	BOLT	0,24 €
03-66	HTL350-030300	RIGHT BRACKET	19,56 €
03-67	HTL350-HC.N-M10-DIN-2	CAP NUT	4,72 €
03-68	HTL350-FNL.N-M10-DIN-2	HEXAGON THIN NUT	0,16 €
03-69	HTL350-70ND-060000	THROTTLE LEVER	19,56 €
03-70	HTL350-FHSS.S-M6x8-GB-3	SOCKET SCREW WITH FLAT HEAD	0,24 €
03-71	HTL350-70ND-060001	THROTTLE BODY	27,12 €
03-72	HTL350-W04-45x3	O-RING	4,00 €
03-73	HTL350-70ND-060003	BOLT	11,04 €
03-74	HTL350-70ND-060002	THROTTLE GEAR	22,08 €
03-75	HTL350-FHSS.S-M8x20-GB-3	SOCKET SCREW WITH FLAT HEAD	0,24 €
03-76	HTL350-70ND-060004	SLIDER	6,48 €
03-77	HTL350-FNL.N-M8-DIN-2	HEXAGON THIN NUT	0,16 €
03-78	HTL350-HC.N-M8-DIN-2	CAP NUT	0,24 €
03-79	HTL350-032600	THROTTLE CABLE	40,65 €
03-80	HTL350-70ND-010018	THROTTLE LEVER ASSY	67,77 €

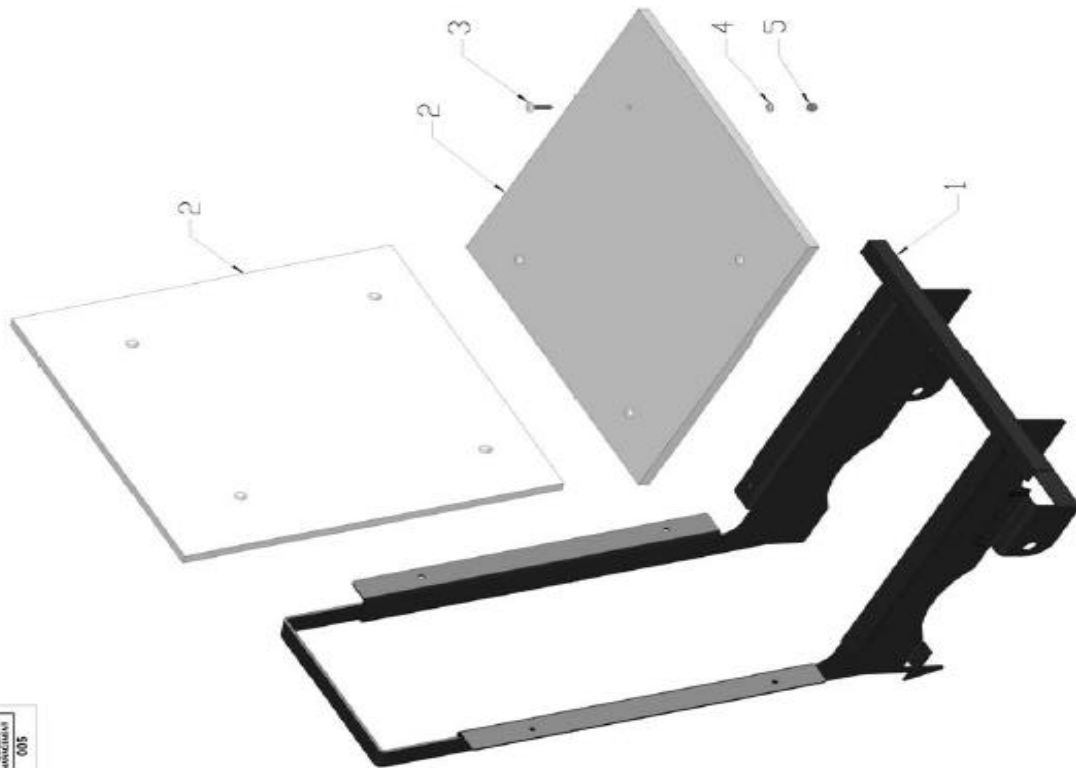


Drawn	L. C	Model	HTL350	Drawing No.	HTL350-03
Checked		Description	OPERATION UNIT (操作部分)		
Approved		Date	2010. 1. 18		



# HTL350-04 FLATBED UNIT

NO.	PART NO.	PART DESCRIPTION	QTY	Prix de vente Internet
04-1	HTL350-040100	FLATBED BRACKET	1	220,76
04-2	HTL350-040000	FLATBED	2	63,21
04-3	HTL350-CHSN.B-M8x35-GB-2	BOLT	8	0,32
04-4	HTL350-FN.W8-DIN-2	WASHER	8	0,16
04-5	HTL350-IN.N-M8-DIN-2	LOCK NUT	8	0,2



Drawn	L.C	Model	HTL350	Drawing No.	HTL350-04
Checked		Description	FLATBED UNIT (木板托架部分)		
Approved		Date	2010. 1. 18		



# HTL350 TRANSAXLE

NO.	PART NO.	PART DESCRIPTION	QTY	Prix de vente Internet
1	772147	TRANSAXLE COVER	1	126,20 €
2	780086A	NEEDLE BEARING(1/2" LONG)	2	100,84 €
3	770128A	TRANSAXLE CASE	1	140,02 €
4B	776406	COUNTERSHAFT(B INPUT)	1	137,34 €
5	776409	OUTPUT SHAFT	1	109,53 €
6	778364	SPUR GEAR(38T-PM/SER)	1	131,28 €
6A	778369	SPUR GEAR(15T-PM/SER)	1	110,34 €
7	778330	SPUR GEAR(11T-PM/SER)	1	90,90 €
8	792180A	SHIFT KEY SET(QTY.2)	2	124,38 €
8A	792047	WOODRUFF KEY #9	1	21,92 €
9	784352	SHIFT COLLAR	1	69,60 €
10	784378	SHIFT ROD & FORK ASSY	1	119,12 €
11	778334	BEVEL GEAR(30T-PM)	1	110,13 €
12	778309	INPUT BEVEL PINION(13T-PM)	1	41,43 €
13	778368	BEVEL GEAR 13T(INCL. REF. 13&14)	1	115,96 €
14	778369	BEVEL GEAR 13T(INCL. REF. 13&14)	1	115,96 €
15	778370	RING GEAR(43T)	1	129,44 €
17	786188	DRIVE PIN	1	124,32 €
18	786102	SPACER(1.130x.695)	1	59,73 €
20	792077A	BALL(STAINLESS STEEL 5/16" DIA.)	1	10,80 €
21	792211	SCREW, 3/8-16 x 3/8"	1	10,48 €
22	792079	SPRING	1	10,80 €
25	792073A	SCREW 1/4-20 x 1-1/4"	1	10,80 €
25A	792177	SCREW 1/4-20 x 1-3/8"	17	137,61 €
26	792125	RETAINING RING	3	21,88 €
27	792035	RETAINING RING	4	32,37 €
28	788040	RETAINING RING	1	10,80 €
29	780072	WASHER .627ID. .031W	1	10,80 €
29A	780160	TRUST WASHER(.563 ID x .031W)	5	35,91 €
29B	780051	TURST WASHER(.762 ID x .031W)	1	21,92 €
30	780108	SHIFT WASHER(CUPPED)	2	32,88 €
31	780001	WASHER .750ID .56W	3	32,36 €
32	788083	OIL SEAL 5/8"	2	121,11 €
32A	792001	O RING(.832" OD)	1	16,44 €
34	780194	BUSHING(.563)	1	21,92 €
35	780193	FLANGED BUSHING(.625 ID)	2	32,88 €
35A	780197	FLANGED BUSHING(.751 ID)	2	32,88 €
36	790075	BRAKE DISK	2	82,86 €
37	790007	BRAKE PAD PLATE	1	30,76 €
38	799021A	BRAKE PAD(PKG OF 2)	1	32,79 €
39	786026	DOWEL PIN .3125 x .750	2	21,56 €

<b>HTL350 TRANSAXLE</b>				
<b>NO.</b>	<b>PART NO.</b>	<b>PART DESCRIPTION</b>	<b>QTY</b>	<b>Prix de vente Internet</b>
40	792076A	WASHER .312ID .059W	2	21,56 €
41	790013	BRAKE LEVER	1	45,69 €
42A	792085A	SCREW 1/4-20 x 2.25"	1	21,88 €
43	792075	LOCK NUT 5/16-24	1	10,80 €
44	790025	BRAKE PAD HOLDER	1	69,00 €
45	786066	SPACER .2625W 1.0L	1	21,92 €
46	786086	BRACKET	1	33,04 €
47	774999	AXLE(11-1/16" LONG)(INCL .26)	1	110,48 €
48	774689	AXLE(15-5/8" LONG)(INCL .26)	1	239,34 €
49	778356	SPUR GEAR(29T-PM/IC)	1	197,76 €
50	778338	SPUR GEAR(27T-PM/IC)	1	80,28 €
51	778342	SPUR GEAR(22T-PM/IC)	1	55,32 €
52	778313	SPUR GEAR(19T-PM/IC)	1	60,57 €
56	778355	SPUR GEAR(11T-PM/SER)	1	130,92 €
57	778337	SPUR GEAR(13T-PM/SER)	1	33,03 €
58	778341	SPUR GEAR(18T-PM/SER)	1	49,62 €
59	778351	SPUR GEAR(21T-PM/SER)	1	175,86 €
63	786071	COUNTERSHAFT SPACER 1-1/8" x 3/8"	2	32,88 €
64	786072	BRAKE SPACER 1-1/8" x 3/8"	2	32,88 €
65	780189	WASHER .563ID .062W	1	9,56 €
66	776422	INPUT SHAFT	1	57,57 €
67	776396	BRAKE SHAFT	1	228,64 €
69	792170	RETAINING RING(.75 x .042)	1	21,92 €
70	786187	SPACER(.089)	1	9,56 €
71B	788092	O-RING	1	21,92 €
73	780140	NEEDLE BEARING .750 ID	2	129,98 €
75	786084	SLEEVE	2	32,88 €
76	780090	FLAT WASHER(1.128 ID x .058W)	1	10,80 €
77	788078A	RETAINING RING(1.125 x .050)	1	9,56 €
79	792144	SPRING	1	9,56 €
82	778363	BEVEL (30T) & SPUR GEAR(13T-PM/SER)	1	158,68 €
83	778338	SPUR GEAR(27T-PM/IC)	1	80,28 €
87	788089A	OIL SEAL 9/16" ID	1	21,92 €
157	788088A	OIL SEAL 3/4" ID	2	49,53 €

1	2	3	4	5	6	7	8	9	10	11	12	13	14	15	16	17	18	19	20	21	22	23	24	25	26	27	28	29	30	31	32	33	34	35	36	37	38	39	40	41	42	43	44	45	46	47	48	49	50	51	52	53	54	55	56	57	58	59	60	61	62	63	64	65	66	67	68	69	70	71	72	73	74	75	76	77	78	79	80	81	82	83	84	85	86	87	88	89	90	91	92	93	94	95	96	97	98	99	100
---	---	---	---	---	---	---	---	---	----	----	----	----	----	----	----	----	----	----	----	----	----	----	----	----	----	----	----	----	----	----	----	----	----	----	----	----	----	----	----	----	----	----	----	----	----	----	----	----	----	----	----	----	----	----	----	----	----	----	----	----	----	----	----	----	----	----	----	----	----	----	----	----	----	----	----	----	----	----	----	----	----	----	----	----	----	----	----	----	----	----	----	----	----	----	----	----	----	----	-----

- 100 LIQUID GASKET RTV SILICONE (TUBE)
- 101 GEAR OIL SAE150 (32 qt)

