

PACLITE EQUIPMENT

MODEL DRAWING CODE

UNI-Corp Europe

**FUZ30 - FUZ80**

DESCRIPTION

ESP-F30/F80

HIGH FREQUENCY CONVERTERS

APPROVED

DATE



#####

**PACLITE EQUIPMENT- UNI-Corp Europe**



**CONVERTER FUZ30**

**SPARE PARTS PRICE LIST No 28**

CODE	DRAW	DESCRIPTION	Q.TY	€ Price EURO
1301P	1	BOX COVER SOCKETS	1	18,40 €
1923/E	2	SCREW	4	0,80 €
1302P	3	SOCKETS BOX	1	46,80 €
1824	4	SCREW	4	0,80 €
1827	5	WASHER GEAR	4	0,80 €
1227	6	SINGLE-PHASE SWITCH	1	35,60 €
1733/E	7	SINGLE-PHASE POWER CORD	MT.1,	9,60 €
1740/E	8	SINGLE-PHASE INDICATOR LIGHT	1	6,80 €
1722/E	9	CABLE GLAND	1	7,20 €
1723/E	10	NUT	1	0,80 €
1915/E	11	SOCKET	2	28,40 €
1732/E	12	SCREW	9	0,80 €
1731/E	13	WASHER	8	0,80 €
1738/E	14	NUT	8	0,80 €
1729/E	15	SUPPORT CABLE GLAND	1	1,20 €
1728/E	16	CABLE GLAND	1	0,80 €
1730/E	17	SCREW	2	0,80 €
2012	18	CONDENSER	1	33,60 €
1763/E	41	JOINT	2	0,80 €
1791/E	19	TERMINAL	1	0,80 €
1230	20	FRONT FINNED FRAME	1	78,00 €
1307	21	REAR FINNED FRAME	1	97,50 €
1231	22	SIDE SHIELD	2	46,80 €
1235	23	BEARING	2	58,50 €
1310	24	TIE ROD	4	15,60 €
1241	25	NUT	4	0,80 €
1243	26	RING	2	10,40 €
1245	27	FAN	1	31,20 €
1246	28	CLAMP + SCREWS	1	3,60 €
1247	29	FANCAGE	1	36,40 €
1320	31	SINGLE-PHASE COMPLETE SHAFT/ROTOR	1	312,00 €
1330	32	SINGLE-PHASE MOTOR STATOR	1	208,00 €

1340	33	ALTERNATOR	1	182,00 €
1365P	34	FRAME	1	110,00 €
1366	35	VIBRATION	1	4,00 €
1269	36	SCREW	4	2,00 €
1270	37	WASHER	4	0,80 €
1271	38	WASHERGEAR	4	0,80 €
1272	39	NUT	4	0,80 €
70	40	SINGLE-PHASE PLUG	1	12,00 €

## PACLITE EQUIPMENT- UNI-Corp Europe



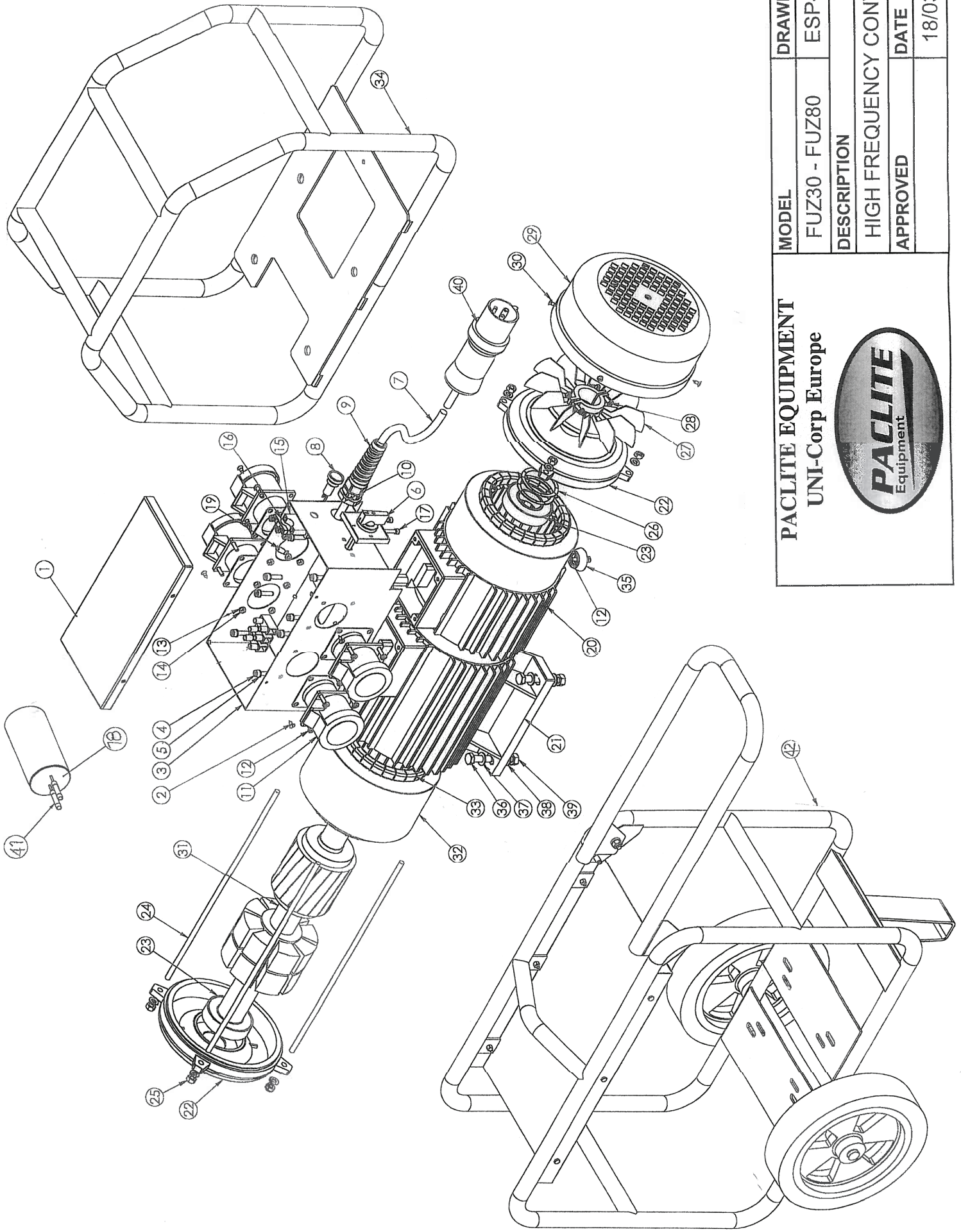
### CONVERTER FUZ80 SPARE PARTS PRICE LIST No 28

CODE	DRAW	DESCRIPTION	Q.TY	€ Price EURO
1301P	1	BOX COYER SOCKETS	1	18,40 €
1923/E	2	SCREW	4	0,80 €
1304P	3	SOCKETS BOX	1	52,80 €
1824	4	SCREW	4	0,80 €
1827	5	WASHER GEAR	4	0,80 €
1228	6	THREE-PHASE SWITCH	1	36,60 €
2105	7	THREE-PHASE POWER CORD	MT.1,	13,60 €
1741/E	8	THREE-PHASE INDICATOR LIGHT	1	6,80 €
1232	9	CABLE GLAND	1	13,60 €
1233	10	NUT	1	1,20 €
1915/E	11	SOCKET	4	28,40 €
1732/E	12	SCREW	17	0,80 €
1731/E	13	WASHER	16	0,80 €
1738/E	14	NUT	16	0,80 €
1729/E	15	SUPPORT CABLE GLAND	1	1,20 €
1728/E	16	CABLE GLAND	1	0,80 €
1730/E	17	SCREW	2	0,80 €
1791/E	19	TERMINAL	1	0,80 €
1230	20	FRONT FINNED FRAME	1	78,00 €
1307	21	REAR FINNED FRAME	1	97,50 €
1231	22	SIDE SHIELD	2	46,80 €
1235	23	BEARING	2	58,50 €
1310	24	TIE ROD	4	15,60 €
1241	25	NUT	4	0,80 €
1243	26	RING	2	10,40 €
1245	27	FAN	1	31,20 €
1246	28	CLAMP + SCREWS	1	3,60 €
1247	29	FANCAGE	1	36,40 €
1248	30	SCREW	4	0,80 €
1324	31	THREE-PHASE COMPLETE SHAFT/ROTOR	1	390,00 €
1334	32	THREE-PHASE MOTOR STATOR	1	260,00 €
1343	33	ALTERNATOR	1	234,00 €
1366	35	VIBRATION	1	4,00 €
1269	36	SCREW	4	2,00 €
1270	37	WASHER	4	0,80 €

1271	38	WASHER GEAR	4	0,80 €
1272	39	NUT	4	0,80 €
71	40	THREE-PHASE PLUG	1	12,80 €
1370P	42	COMPLETE TROLLEY	1	180,00 €

|





**PACLITE EQUIPMENT**  
**UNI-Corp Europe**



MODEL	DRAWING CODE
FUZ30 - FUZ80	ESP-F30/F80
DESCRIPTION	
HIGH FREQUENCY CONVERTERS	
APPROVED	DATE
	18/03/2014