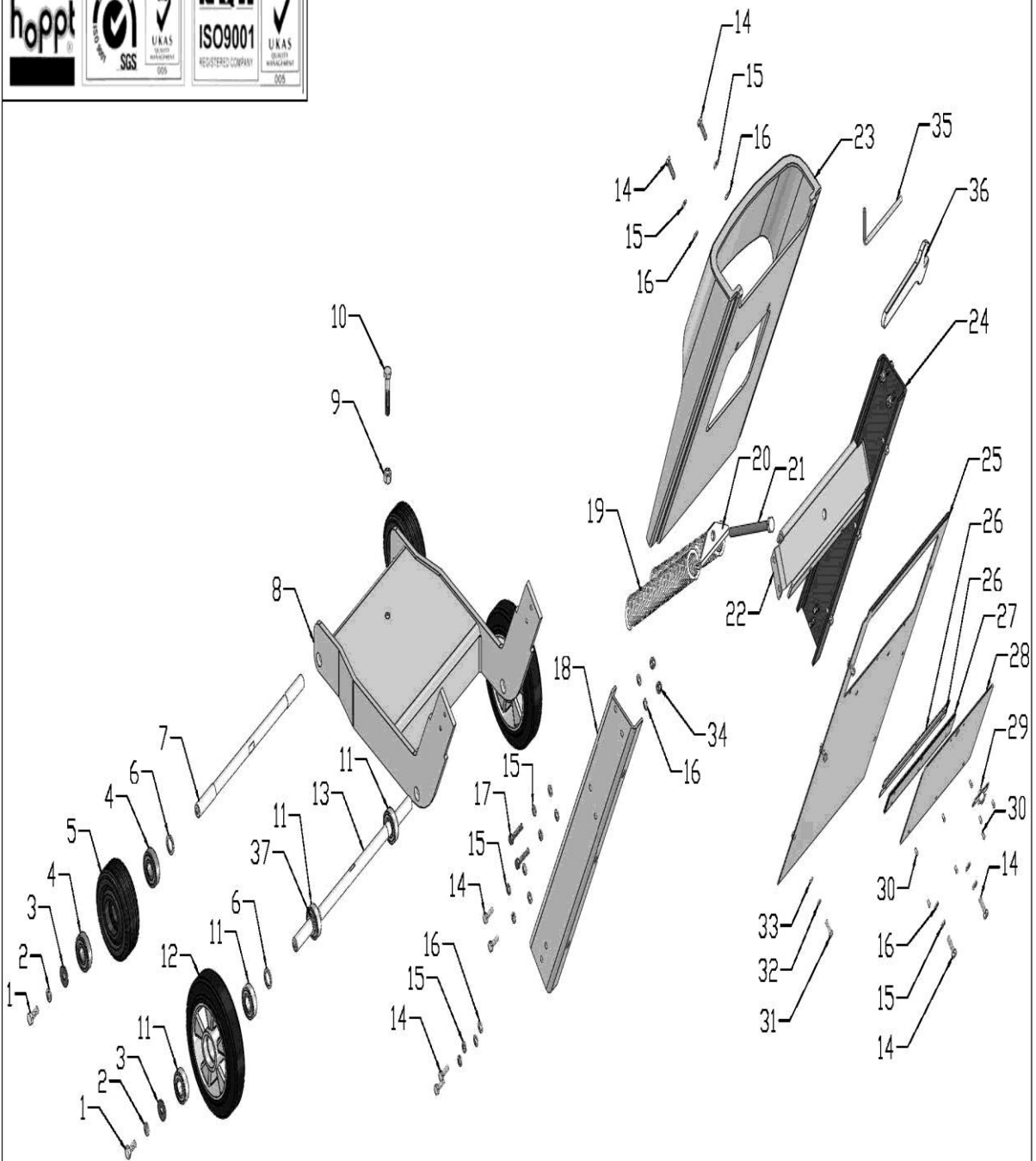


CUT500D-01 WHEEL FRAME ASSY

NO.	PART NO.	PART DESCRIPTION	QTY	UNIT PRICE EURO & USD 2015
01-1	CUT 500D-FN.B-M10x25-8.8-DIN-2	BOLT	4	0,28
01-2	CUT 500D-HSPG.W10-DIN-2	SPRING WASHER,TANG ENDS	4	0,14
01-3	CUT 500D-WOD.W10-GB-2	LARGE WASHER	4	0,18
01-4	CUT 500D-W01-6203ZZ-G	BEARING	4	7,64
01-5	CUT 500D-20-050400	FRONT WHEEL	2	64,41
01-6	CUT 500D-20A-010417	WASHER	8	13,89
01-7	CUT 500D-20A-1B40-07-A	FRONT WHEEL SHAFT	1	33,12
01-8	CUT 500D-20A-1B40-08-A	WHEEL BRACKET	1	318,15
01-9	CUT 500D-FN.N-M12-DIN-2	NUT	1	0,18
01-10	CUT 500D-FN.B-M12x60-8.8-DIN-2	BOLT	1	0,60
01-11	CUT 500D-W01-6204ZZ-G	BEARING	6	4,69
01-12	CUT 500D-20A-010500	REAR WHEEL	2	132,89
01-13	CUT 500D-20A-010413	REAR WHEEL SHAFT	1	34,91
01-14	CUT 500D-FN.B-M8x25-8.8-DIN-2	BOLT	12	0,14
01-15	CUT 500D-HSPG.W8-DIN-2	SPRING WASHER,TANG ENDS	16	0,14
01-16	CUT 500D-FN.W8-DIN-2	WASHER	16	0,09
01-17	CUT 500D-FN.B-M8x30-8.8-DIN-2	BOLT	4	0,18
01-18	CUT 500D-20A-020200L	LEFT PLANK	1	55,82
01-19	CUT 500D-20A-010409	SPRING	2	64,41
01-20	CUT 500D-20A-020300	SPRING HOOK	1	12,10
01-21	CUT 500D-FN.B-M12x180-8.8-DIN-2	BOLT	1	1,52
01-22	CUT 500D-20A-020400	PLANK	1	34,05
01-23	CUT 500D-20A-020201	INSIDE SUPPORT COVER	1	103,78
01-24	CUT 500D-20A-020200R	RIGHT PLANK	1	69,83
01-25	CUT 500D-20A-020900	MAIN BODY PLANK	1	90,74
01-26	CUT 500D-20A-020211	PLANK	2	7,87
01-27	CUT 500D-20A-020205	RUBBER CONNECT PATCH	1	10,26
01-28	CUT 500D-20A-020204	COVER	1	26,04
01-29	CUT 500D-20A-030411	LOCK	1	34,05
01-30	CUT 500D-K.RVT-4.0x10	RIVET	8	0,14
01-31	CUT 500D-FN.B-M6x20-8.8-DIN-2	BOLT	6	0,14
01-32	CUT 500D-HSPG.W6-DIN-2	SPRING WASHER,TANG ENDS	6	0,14
01-33	CUT 500D-FN.W6-DIN-2	WASHER	6	0,14
01-34	CUT 500D-IN.N-M8-DIN-2	LOCK NUT	4	0,14
01-35	CUT 500D-20A-021100	LOCK PIN	1	9,66
01-36	CUT 500D-20A-021200	SPANNER	1	31,74
01-37	CUT 500D-20A-1B40-185-A	REAR WHEEL BEARING WASHER	2	3,40

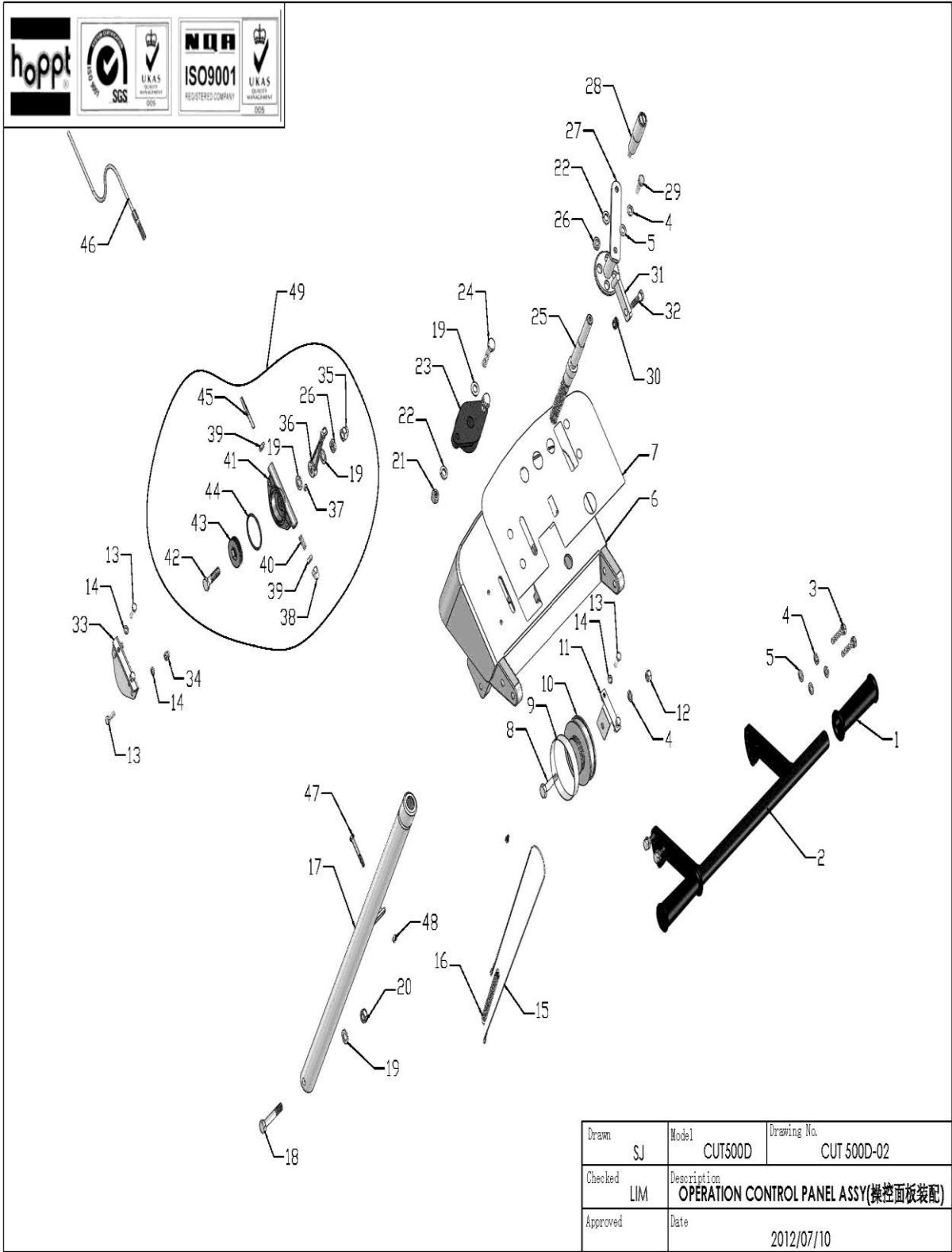


Drawn	SJ	Model	CUT 500D	Drawing No.	CUT 500D-01
Checked	LIM	Description	WHEEL FRAME ASSY		
Approved		Date	2012/07/09		

CUT 500D-02 OPERATION CONTROL PANEL ASSY

NO.	PART NO.	PART DESCRIPTION	QTY	UNIT PRICE EURO & USD 2015
02-1	CUT 500D-100G-010001	HANDLE COVER	2	4,37
02-2	CUT 500D-20A-020500	HANDLE	1	31,84
02-3	CUT 500D-FN.B-M8x35-8.8-DIN-2	BOLT	4	0,18
02-4	CUT 500D-HSPG.W8-DIN-2	SPRING WASHER,TANG ENDS	6	0,14
02-5	CUT 500D-FN.W8-DIN-2	WASHER	5	0,09
02-6	CUT 500D-20A-020100P	OPERATION FACEPLATE	1	211,28
02-7	CUT 500D-20A-1B40-40	STICK PAPER	1	25,02
02-8	CUT 500D-20A-020221	BOLT	1	15,23
02-9	CUT 500D-20A-020222	STICK PAPER ,DEPTH	1	4,37
02-10	CUT 500D-20A-020206	SHOW WHEEL	1	33,47
02-11	CUT 500D-20A-020209	BRACKET	1	5,43
02-12	CUT 500D-FN.N-M8-DIN-2	NUT	1	0,09
02-13	CUT 500D-FN.B-M6x20-8.8-DIN-2	BOLT	8	0,14
02-14	CUT 500D-HSPG.W6-DIN-2	SPRING WASHER,TANG ENDS	8	0,14
02-15	CUT 500D-20A-030418	LINE	1	6,53
02-16	CUT 500D-43-051001	TENSION SPRING	1	9,25
02-17	CUT 500D-20A-020600	SHAFT	1	82,87
02-18	CUT 500D-FN.B-M10x60-8.8HALF-DIN-2	BOLT	1	0,37
02-19	CUT 500D-FN.W10-DIN-2	WASHER	5	0,14
02-20	CUT 500D-IN.N-M10-DIN-2	LOCK NUT	1	0,14
02-21	CUT 500D-FN.N-M10-DIN-2	NUT	2	0,09
02-22	CUT 500D-HSPG.W10-DIN-2	SPRING WASHER,TANG ENDS	3	0,14
02-23	CUT 500D-W01-UCFL203-J	BEARING	1	38,78
02-24	CUT 500D-FN.B-M10x45-8.8-DIN-2	BOLT	2	0,28
02-25	CUT 500D-20A-020207	SCREW SHAFT	1	41,64
02-26	CUT 500D-FNL.N-M10-DIN-2	HEXAGON THIN NUT	3	0,09
02-27	CUT 500D-12-020100	ROCKER	1	33,76
02-28	CUT 500D-16-000009	HANDLE	1	12,51
02-29	CUT 500D-FN.B-M8x25-8.8-DIN-2	BOLT	1	0,14
02-30	CUT 500D-IN.N-M8-DIN-2	LOCK NUT	1	0,14
02-31	CUT 500D-20A-020101	LOCK PIN	1	8,69
02-32	CUT 500D-12-000007	ADJUSTING BOLT	1	6,53
02-33	CUT 500D-20A-020220	THROTTLE LEVER SUPPORT	1	19,04
02-34	CUT 500D-HC.N-M6-DIN-2	CAP NUT	2	0,18
02-35	CUT 500D-HC.N-M10-DIN-2	CAP NUT	1	0,32
02-36	CUT 500D-70ND-060000	THROTTLE LEVER	1	21,25
02-37	CUT 500D-FHSS.S-M6x8-GB-3	SOCKET SCREW WITH FLAT HEAD	1	0,09
02-38	CUT 500D-HC.N-M8-DIN-2	CAP NUT	1	0,18
02-39	CUT 500D-FNL.N-M8-DIN-2	HEXAGON THIN NUT	2	0,09
02-40	CUT 500D-FHSS.S-M8x20-GB-3	SOCKET SCREW WITH FLAT HEAD	1	0,18
02-41	CUT 500D-70ND-060001	THROTTLE BODY	1	29,39
02-42	CUT 500D-70ND-060003	BOLT	1	11,96
02-43	CUT 500D-70ND-060002	THROTTLE GEAR	1	23,97

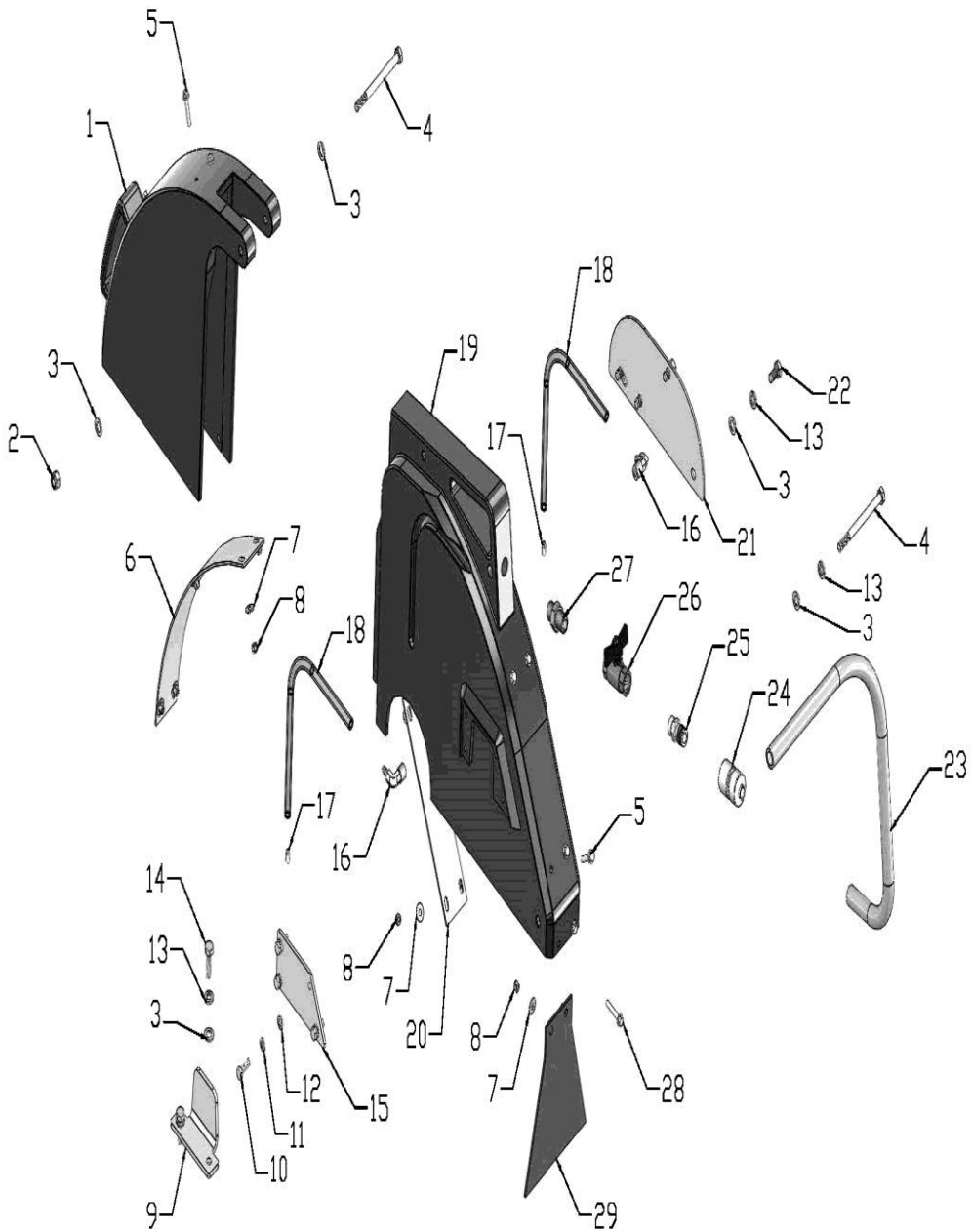
02-44	CUT 500D-W04-45x3	O-RING	1	4,37
02-45	CUT 500D-70ND-060004	SLIDER	1	7,08
02-46	CUT 500D-W06-S04-L1100x1300	THROTTLE CABLE	1	42,06
02-47	CUT 500D-FN.B-M6x45-8.8-DIN-2	BOLT	1	0,09
02-48	CUT 500D-IN.N-M6-DIN-2	LOCK NUT	1	0,09
02-49	CUT 500D-70ND-010018	THROTTLE LEVER ASSY	1	73,49



Drawn	SJ	Model	CUT500D	Drawing No.	CUT 500D-02
Checked	LIM	Description OPERATION CONTROL PANEL ASSY(操作面板装配)			
Approved		Date	2012/07/10		

CUT 500D-03 BLADE GUARD ASSY

NO.	PART NO.	PART DESCRIPTION	QTY	UNIT PRICE EURO & USD 2015
03-1	CUT 500D-20A-010402	BLADE GUARD	1	108,23
03-2	CUT 500D-IN.N-M8-DIN-2	LOCK NUT	1	0,14
03-3	CUT 500D-FN.W8-DIN-2	WASHER	9	0,09
03-4	CUT 500D-FN.B-M8x100-8.8HALF-DIN-2	BOLT	2	0,37
03-5	CUT 500D-HF.B-M5x25-8.8-DIN-2	HEXAGON FLANGE BOLT	9	0,23
03-6	CUT 500D-20A-010431	UNDERLAY	1	14,17
03-7	CUT 500D-WOD.W5-GB-2	WASHER	11	0,09
03-8	CUT 500D-IN.N-M5-DIN-2	LOCK NUT	11	0,09
03-9	CUT 500D-20A-010405	BLADE GUARD SUPPORT	1	9,80
03-10	CUT 500D-FN.B-M6x20-8.8-DIN-2	BOLT	4	0,14
03-11	CUT 500D-HSPG.W6-DIN-2	SPRING WASHER,TANG ENDS	4	0,14
03-12	CUT 500D-FN.W6-DIN-2	WASHER	4	0,14
03-13	CUT 500D-HSPG.W8-DIN-2	SPRING WASHER,TANG ENDS	7	0,14
03-14	CUT 500D-FN.B-M8x25-8.8-DIN-2	BOLT	2	0,14
03-15	CUT 500D-20A-010403	FIXED PLATE	1	7,68
03-16	CUT 500D-20A-030415	90° ELBOW	2	13,06
03-17	CUT 500D-20A-010428	SPRINKLE	2	15,78
03-18	CUT 500D-20A-030413	HOSE	2	1,10
03-19	CUT 500D-20A-010401	BLADE GUARD	1	174,54
03-20	CUT 500D-20A-010430	UNDERLAY	1	7,64
03-21	CUT 500D-20A-010404	CONNECT PLATE	1	4,92
03-22	CUT 500D-FN.B-M8x16-8.8-DIN-2	BOLT	4	0,14
03-23	CUT 500D-20A-030416	HOSE	1	18,49
03-24	CUT 500D-20A-030412	SPDDE TIE-IN	1	16,88
03-25	CUT 500D-KSJT-G3 / 8-16	HOSE NIPPLE	1	16,33
03-26	CUT 500D-6.5-070001	CULVERT VALVE	1	14,72
03-27	CUT 500D-650-070400	CONNECTOR	1	15,23
03-28	CUT 500D-HF.B-M5x30-8.8-DIN-2	HEXAGON FLANGE BOLT	2	0,18
03-29	CUT 500D-16-000005	DUST JACKET	1	5,98

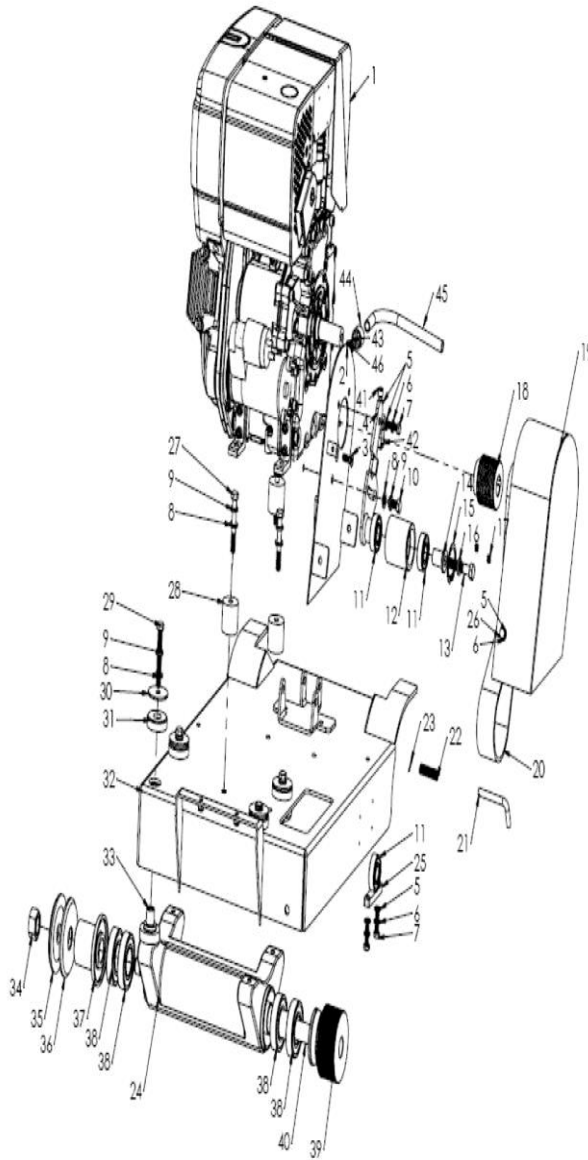


Drawn	Model	Drawing No.
SJ	CUT 500D	CUT 500D-03
Checked	Description BLADE GUARD ASSY	
Approved	Date	2012/07/10

CUT 500D-04 BASE PLATE & ENGINE ASSY

NO.	PART NO.	PART DESCRIPTION	QTY	UNIT PRICE EURO & USD 2015
04-1	CUT 500D-W05-1B40-9	Engine	1	
04-2	CUT 500D-20A-1B40-146-A	Belt Cover	1	50,82
04-3	CUT 500D-HSF.S-M8x25-8.8-DIN-1	Counter Sink Bolt	1	0,28
04-4	CUT 500D-20A-1B40-142.1-A	Idler Bracket	1	42,95
04-5	CUT 500D-FN.W8-DIN-1	Washer	9	0,09
04-6	CUT 500D-HSPG.W8-DIN-1	Spring Washer Tang Ends	7	0,14
04-7	CUT 500D-FN.B-M8x25-8.8-DIN-1	Bolt	3	0,14
04-8	CUT 500D-FN.W10-DIN-1	Washer	10	0,09
04-9	CUT 500D-HSPG.W10-DIN-1	Spring Washer Tang Ends	10	0,14
04-10	CUT 500D-FN.B-M10x25-8.8-DIN-1	Bolt	1	0,28
04-11	CUT 500D-W01-6204ZZ-G	Bearing	4	4,69
04-12	CUT 500D-20A-010423	Idler	1	35,12
04-13	CUT 500D-FN.B-M12x60-8.8-DIN-2	Bolt	1	0,60
04-14	CUT 500D-20A-030409	Bearing Bush	1	17,43
04-15	CUT 500D-CH.RG47	Internal Circlip	1	0,60
04-16	CUT 500D-HSPG.W12-DIN-2	Spring Washer Tang Ends	1	0,09
04-17	CUT 500D-FHSS.S-M8x8-GB-3	Socket Screw	2	0,14
04-18	CUT 500D-20A-010408A	PTO Pulley	1	32,38
04-19	CUT 500D-20A-1B40-132-A	V Belt cover	1	84,84
04-20	CUT 500D-W02-12PK884	Belt	1	36,02
04-21	CUT 500D-20A-010427	Brake Bar	1	10,35
04-22	CUT 500D-19.0.033	Spring	1	5,98
04-23	CUT 500D-20A-1B40-SP.PIN-1.6x20	Split Pin	1	0,09
04-24	CUT 500D-16A-26-C	Spindle Mount	1	148,97
04-25	CUT 500D-16A-03-A	Bearing Support bar	2	34,18
04-26	CUT 500D-FN.B-M8x12-8.8-DIN-1	Bolt	2	0,18
04-27	CUT 500D-FN.B-M10x70-12.9 HALF-DIN-1	Bolt	4	0,37
04-28	CUT 500D-20A-1B40-163.2-A	Engine Support	1	8,14
04-29	CUT 500D-FN.B-M10x75-12.9-DIN-1	Bolt	4	0,41
04-30	CUT 500D-20A-010418	Washer	4	10,90
04-31	CUT 500D-20A-010700	Shock Mount A	4	21,25
04-32	CUT 500D-20A-1B40-163-A	Engine Base	1	505,94
04-33	CUT 500D-20A-010800	Shock Mount B	4	10,35
04-34	CUT 500D-16-050400	Nut	1	7,68
04-35	CUT 500D-16-050500AL	Arbor Left	1	33,76
04-36	CUT 500D-16-050500AR	Arbor Right	1	33,76
04-37	CUT 500D-16A-49-A	Bearing Cover L	1	44,37
04-38	CUT 500D-W01-6207ZZ-G	Bearing	4	20,79
04-39	CUT 500D-20A-1B40-159-C	Driven Pulley	1	91,25
04-40	CUT 500D-20A-1B40-174-B	Drive Shaft	1	113,44
04-41	CUT 500D-HS.B-M8x25-8.8-GB-2	Bolt	1	0,14
04-42	CUT 500D-6.5-080000	Drain Support	1	2,16
04-43	CUT 500D-20A-1B40-100-A	Drain knob	1	23,60

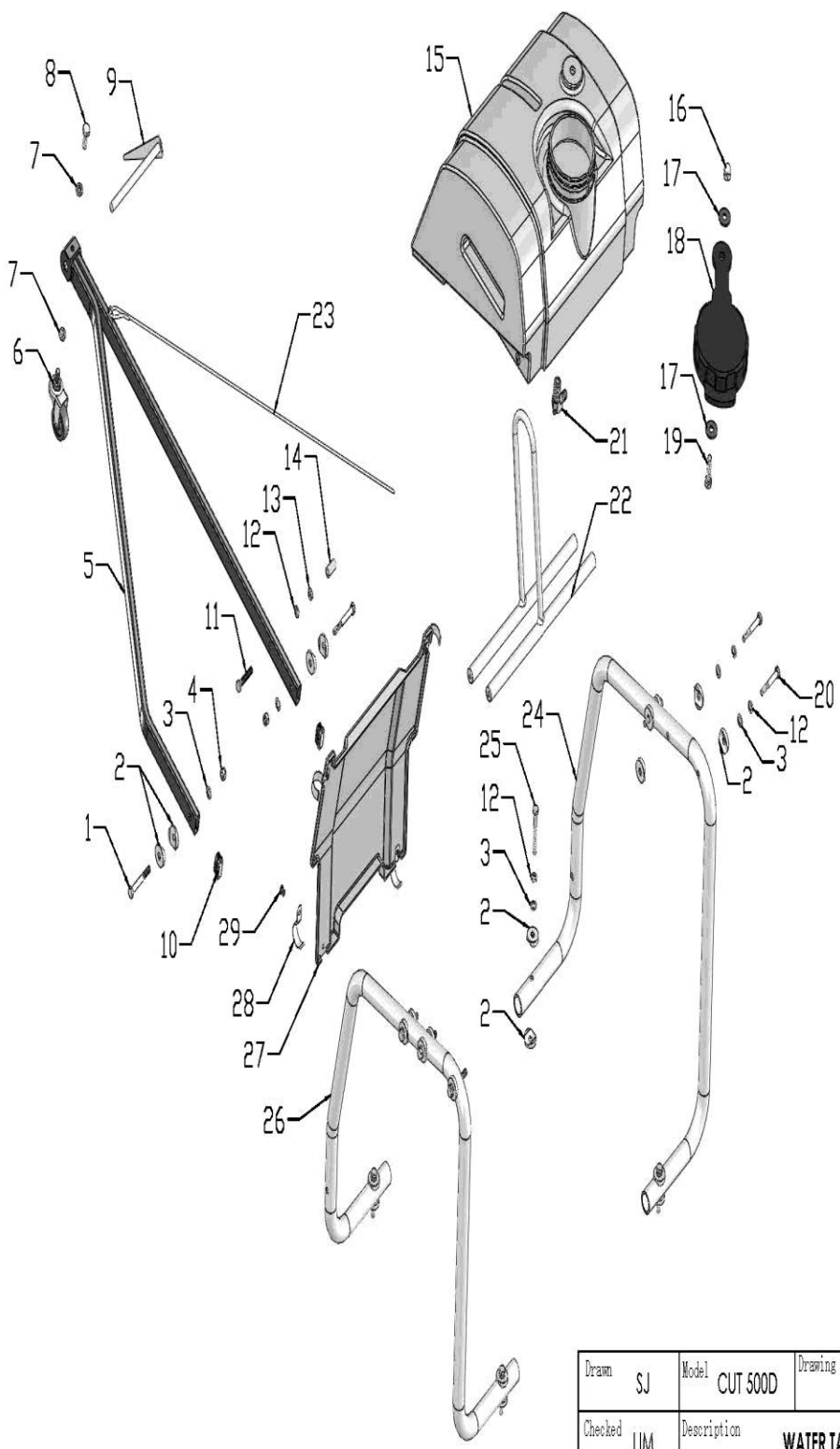
04-44	CUT 500D-20A-1B40-101-A	Drain Connector	1	26,13
04-45	CUT 500D-20A-020218	Hose	1	10,90
04-46	CUT 500D-W04-Ø8. 8 x1. 9	O ring	2	0,28



Drawn	SJ	Model	CUT 500D	Drawing No.	CUT 500D - 04
Checked		Description	BASE PLATE & ENGINE ASSEMBLY		
Approved		Date	2012/06/28		

CUT 500D-05 WATER TANK ASSY

NO.	PART NO.	PART DESCRIPTION	QTY	UNIT PRICE EURO & USD 2015
05-1	CUT 500D-FN.B-M8x65-8.8HALF-DIN-2	BOLT	2	0,23
05-2	CUT 500D-20A-030406	ARC WASHER	22	31,84
05-3	CUT 500D-FN.W8-DIN-2	WASHER	12	0,09
05-4	CUT 500D-IN.N-M8-DIN-2	LOCK NUT	2	0,14
05-5	CUT 500D-20A-030100	LEADING POLE	1	53,06
05-6	CUT 500D-20-010006	MYRIAD WHEEL	1	26,13
05-7	CUT 500D-FNL.N-M10-DIN-2	HEXAGON THIN NUT	2	0,09
05-8	CUT 500D-FN.B-M10x25-8.8-DIN-2	BOLT	1	0,28
05-9	CUT 500D-20-010200	POINTER	1	2,16
05-10	CUT 500D-20A-030300	COVER	2	2,71
05-11	CUT 500D-FN.B-M8x45-8.8-DIN-2	BOLT	1	0,18
05-12	CUT 500D-HSPG.W8-DIN-2	SPRING WASHER,TANG ENDS	11	0,14
05-13	CUT 500D-FNL.N-M8-DIN-2	HEXAGON THIN NUT	1	0,09
05-14	CUT 500D-20A-030600	RUBBER BUSH	1	3,27
05-15	CUT 500D-20A-030402	WATER TANK	1	125,55
05-16	CUT 500D-HC.N-M10-DIN-2	CAP NUT	1	0,32
05-17	CUT 500D-WOD.W10-GB-2	LARGE WASHER	2	0,18
05-18	CUT 500D-650-070200	WATER TANK CAP	1	43,68
05-19	CUT 500D-FN.B-M10x35-8.8-DIN-2	BOLT	1	0,23
05-20	CUT 500D-FN.B-M8x55-8.8HALF-DIN-2	BOLT	6	0,23
05-21	CUT 500D-20A-030414	WATER TANK TIR-IN	1	4,37
05-22	CUT 500D-20A-030200	HOOK	1	17,99
05-23	CUT 500D-20A-020218	LINE	1	10,90
05-24	CUT 500D-20A-1B40-126	RIGHT PLANK	1	89,49
05-25	CUT 500D-FN.B-M8x60-8.8-DIN-2	BOLT	4	0,23
05-26	CUT 500D-20A-1B40-128	LEFT PLANK	1	89,49
05-27	CUT 500D-20A-030407PP-A	FRONT BOARD	1	23,97
05-28	CUT 500D-20A-030408	BUTTON	4	2,71
05-29	CUT 500D-20A-463214	BUTTON	4	5,43



Drawn	SJ	Model	CUT 500D	Drawing No.	CUT 500D-05
Checked	LIM	Description	WATER TANK ASSY		
Approved		Date	2012/07/10		