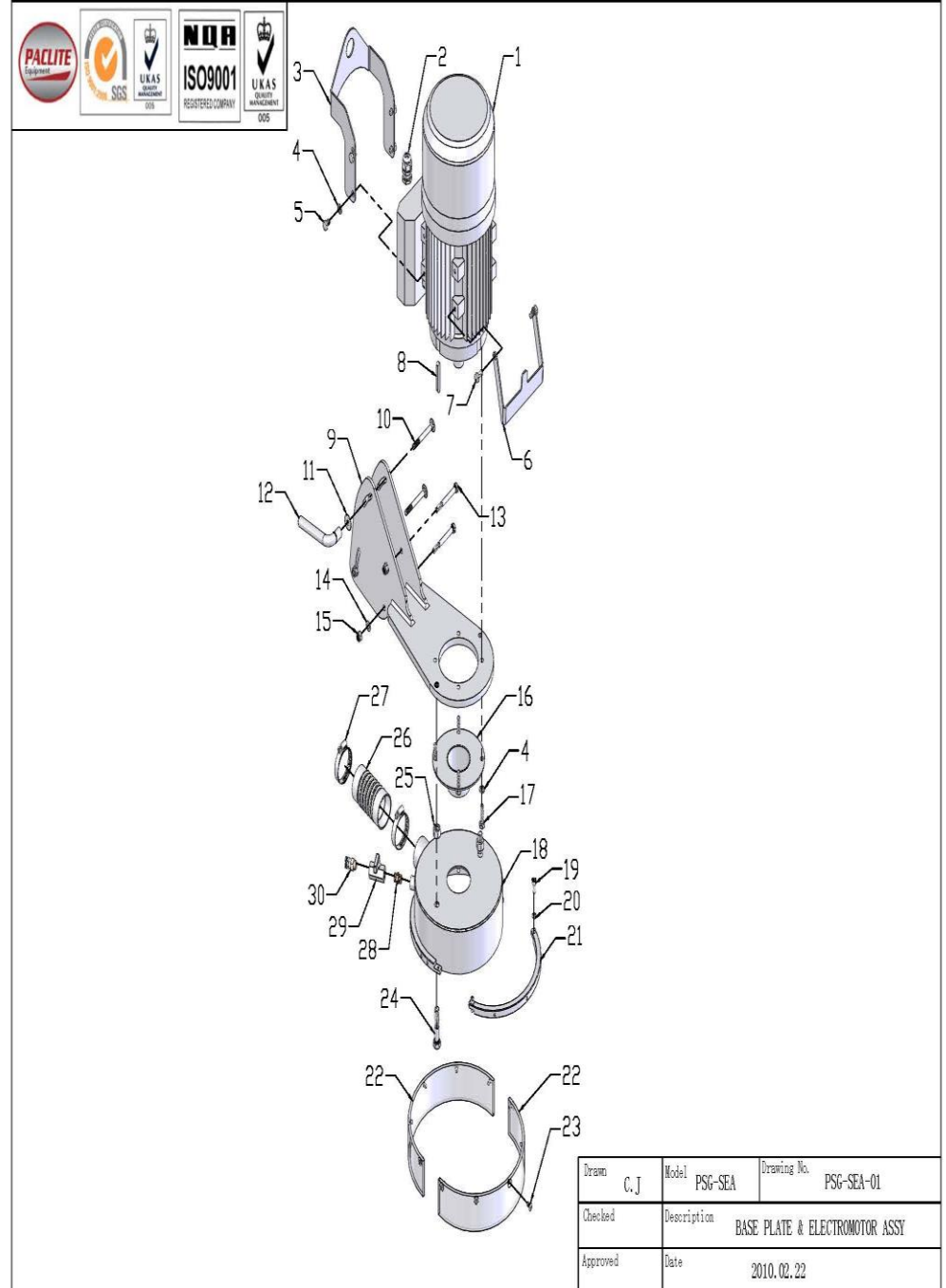


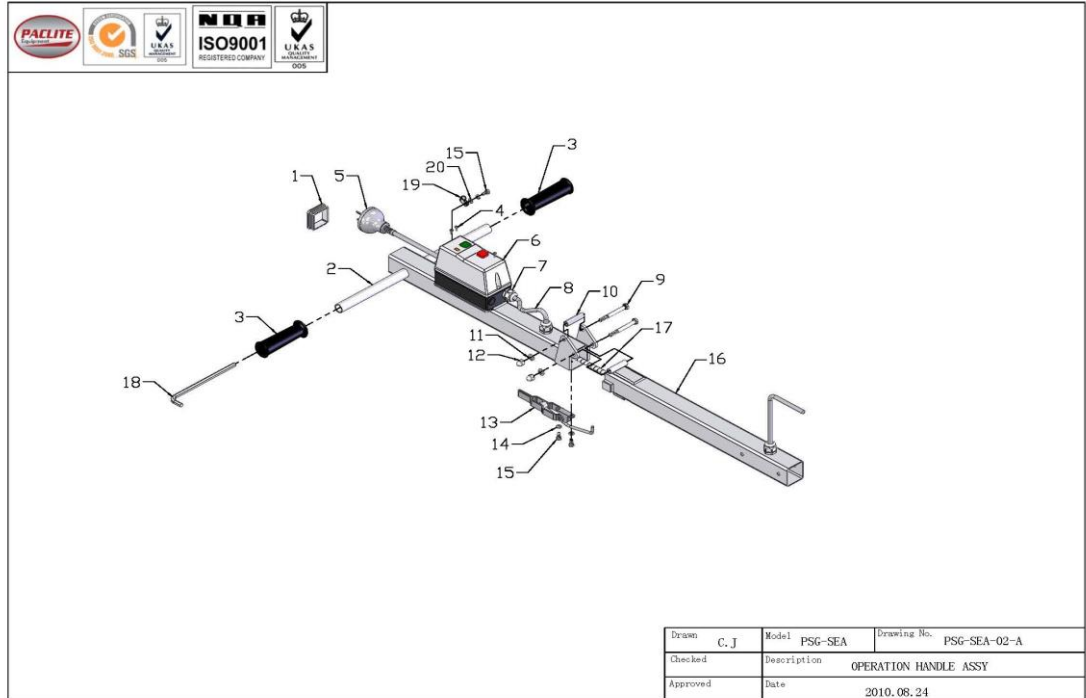
PSG-SEA-01 BASE PLATE & ELECTROMOTOR ASSY

NO.	PART NO.	PART DESCRIPTION	QTY	Internet Price €
01-1	CGS250-W17-3HP-240V-50Hz	ELECTROMOTOR	1	€ 201,43
01-2	CGS250-011100	CONNECTOR,STRAIN RELIEF	1	€ 0,40
01-3	CGS250-010900	LIFTING FRAME	1	€ 5,75
01-4	CGS250-HSPG.W8-DIN-2	SPRING WASHER,TANG ENDS	8	€ 0,04
01-5	CGS250-FN.B-M8x12-8.8-DIN-2	BOLT	4	€ 0,04
01-6	CGS250-010800	HANDLE	1	€ 2,94
01-7	CGS250-FN.B-M8x16-8.8-DIN-2	BOLT	2	€ 0,05
01-8	CGS250-Key.A-8x7x50	KEY	1	€ 0,12
01-9	CGS250-010100	MOTOR BASE	1	€ 47,90
01-10	CGS250-CHSN.B-M8x75-GB-2	SQUARE NECKBOLT	2	€ 0,14
01-11	CGS250-WOD.W8-GB-2	WASHER	1	€ 0,04
01-12	CGS250-011000	LOCK LEVER	1	€ 3,19
01-13	CGS250-FN.B-M8x75-8.8-DIN-2	BOLT	2	€ 0,07
01-14	CGS250-FN.W8-DIN-2	WASHER	3	€ 0,04
01-15	CGS250-IN.N-M8-DIN-2	LOCK NUT	3	€ 0,04
01-16	CGS250-010200	BUSH	1	€ 12,46
01-17	CGS250-FN.B-M8x30-8.8-DIN-2	BOLT	4	€ 0,05
01-18	CGS250-010300	SHIELD	1	€ 60,33
01-19	CGS250-HS.B-M6x16-8.8-GB-2	SCREW	2	€ 0,04
01-20	CGS250-HSPG.W6-DIN-2	SPRING WASHER,TANG ENDS	2	€ 0,04
01-21	CGS250-010400	LOOP	1	€ 24,38
01-22	CGS250-010500	GUARD	2	€ 3,29
01-23	CGS250-HSF.S-M6x12-8.8-DIN-2	SOCKET COUNTERSUNK HEAD SCREW	10	€ 0,04
01-24	CGS250-FN.B-M12x55-8.8HALF-DIN-2	BOLT	2	€ 0,15
01-25	CGS250-FN.N-M12-DIN-2	NUT	2	€ 0,05
01-26	CGS250-010700	HOSE	1	€ 2,53
01-27	CGS250-HOOP.D40-65	HOOP	2	€ 0,65
01-28	CGS250-CPT-BT-1 / 4	JOINT	1	€ 0,53
01-29	CGS250-QF-1 / 4-NI	BALL VAVLE	1	€ 3,50
01-30	CGS250-KSJT-G1 / 4-16	HOSE NIPPLE	1	€ 3,03

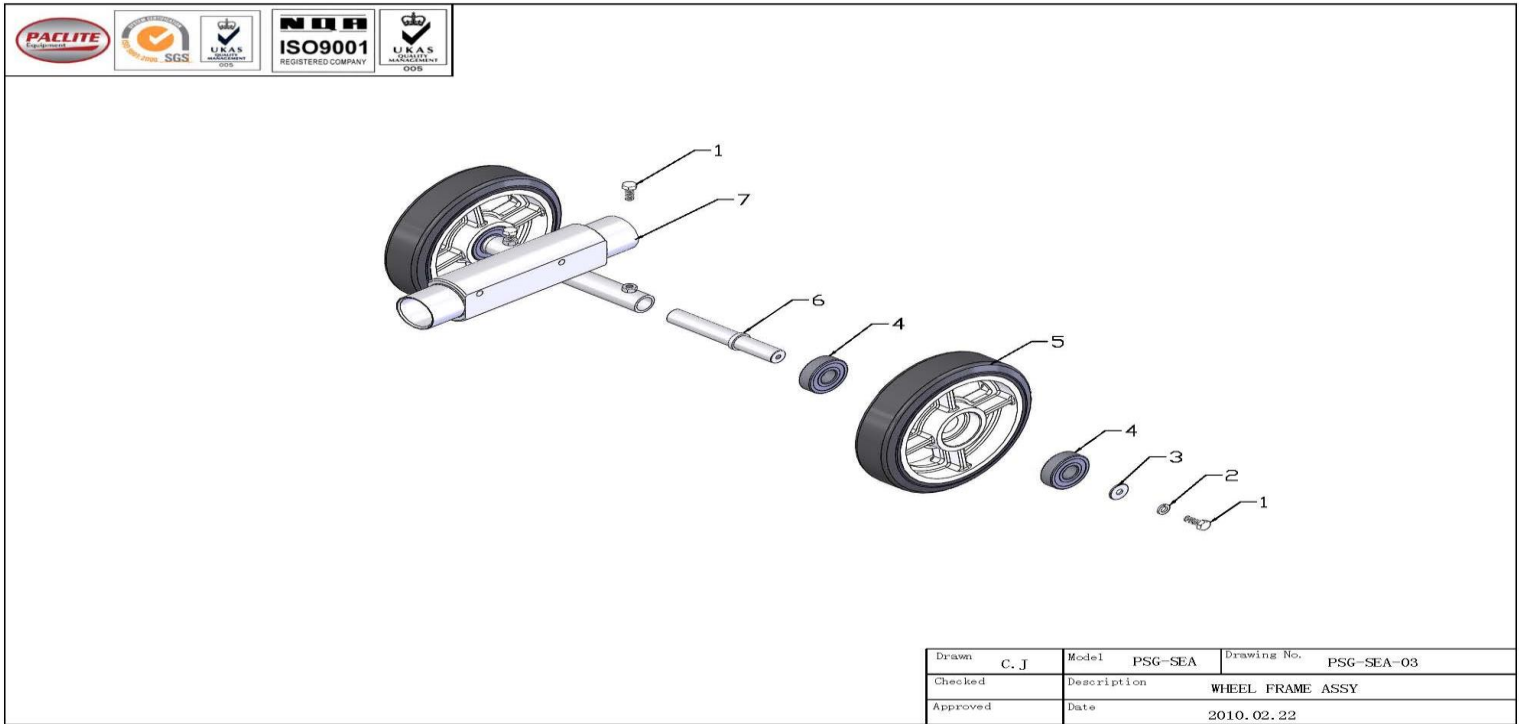


PSG-SEA-02-A OPERATION HANDLE ASSY

NO.	PART NO.	PART DESCRIPTION	QTY	Internet Price €
02-1	CGS250-020300	COVER	1	€ 0,48
02-2	CGS250-020100	OPERATION HANDLE A	1	€ 22,02
02-3	CGS250-100G-010001	HANDLE COVER	2	€ 0,30
02-4	CGS250-PAN.S-M4x10-GB-2	PAN HEAD SCREW	3	€ 0,04
02-7	CGS250-011100	CONNECTOR,STRAIN RELIEF	4	€ 0,40
02-9	CGS250-FN.B-M8x75-8.8HALF-DIN-2	BOLT	2	€ 0,08
02-10	CGS250-020800	RUBBER BUSH	1	€ 0,06
02-11	CGS250-FN.W8-DIN-2	WASHER	4	€ 0,04
02-12	CGS250-HC.N-M8-DIN-2	CAP NUT	2	€ 0,06
02-13	CGS250-750-020400	CLAMP	1	€ 6,04
02-14	CGS250-HSPG.W6-DIN-2	SPRING WASHER,TANG ENDS	3	€ 0,04
02-15	CGS250-FN.B-M6x12-8.8-DIN-2	BOLT	3	€ 0,04
02-16	CGS250-020200	OPERATION HANDLE B	1	€ 19,97
02-17	CGS250-020900	PLASTIC SHEATH	1	€ 0,21
02-18	CGS250-021000	ALLEN KEY	1	€ 2,60
02-19	CGS250-021100	CLIP	1	€ 0,51
02-20	CGS250-FN.W6-DIN-2	WASHER	1	€ 0,04



PSG-SEA-03 WHEEL FRAME ASSY				
NO.	PART NO.	PART DESCRIPTION	QTY	Internet Price €
03-1	CGS250-FN.B-M8x20-8.8-DIN-2	BOLT	4	0,20 €
03-2	CGS250-HSPG.W8-DIN-2	SPRING WASHER,TANG ENDS	2	0,16 €
03-3	CGS250-WOD.W8-GB-2	WASHER	2	0,16 €
03-4	CGS250-W01-6304ZZ-G	BEARING	4	8,84 €
03-5	CGS250-276-050200	WHEEL	2	80,40 €
03-6	CGS250-030200	AXLE	2	8,32 €
03-7	CGS250-030100	WHEEL FRAME	1	113,25 €



PSG-SEA-04-B GRINDING DISK ASSY

NO	PART NO.	PART DESCRIPTION	QTY	Internet Price €
04-1	CGS250-HSPG.W10-DIN-2	SPRING WASHER,TANG ENDS	3	0,16 €
04-2	CGS250-HS.B-M10x25-8.8-GB-2	SCREW	1	0,24 €
04-3	CGS250-IN.N-M10-DIN-2	LOCK NUT	2	0,24 €
04-4	CGS250-040200-A	COUPLING	1	36,75 €
04-5	CGS250-FN.B-M10x55-8.8-DIN-2	BOLT	2	0,32 €
04-6	CGS250-040300	FLANGE	1	7,16 €
04-7	CGS250-HSF.S-M10x60-12.9-DIN-2	SOCKET COUNTERSUNK HEAD SCREW	2	1,16 €
04-8	CGS250-040400	DISK	1	144,46 €
04-9	CGS250-HSF.S-M12x25-12.9-DIN-2	SOCKET COUNTERSUNK HEAD SCREW	4	0,72 €
04-10	CGS250-040500	REAMER	4	144,46 €
04-11	CGS250-040600	SPRING	1	10,12 €
04-12	CGS250-040100	HUB	1	56,88 €

