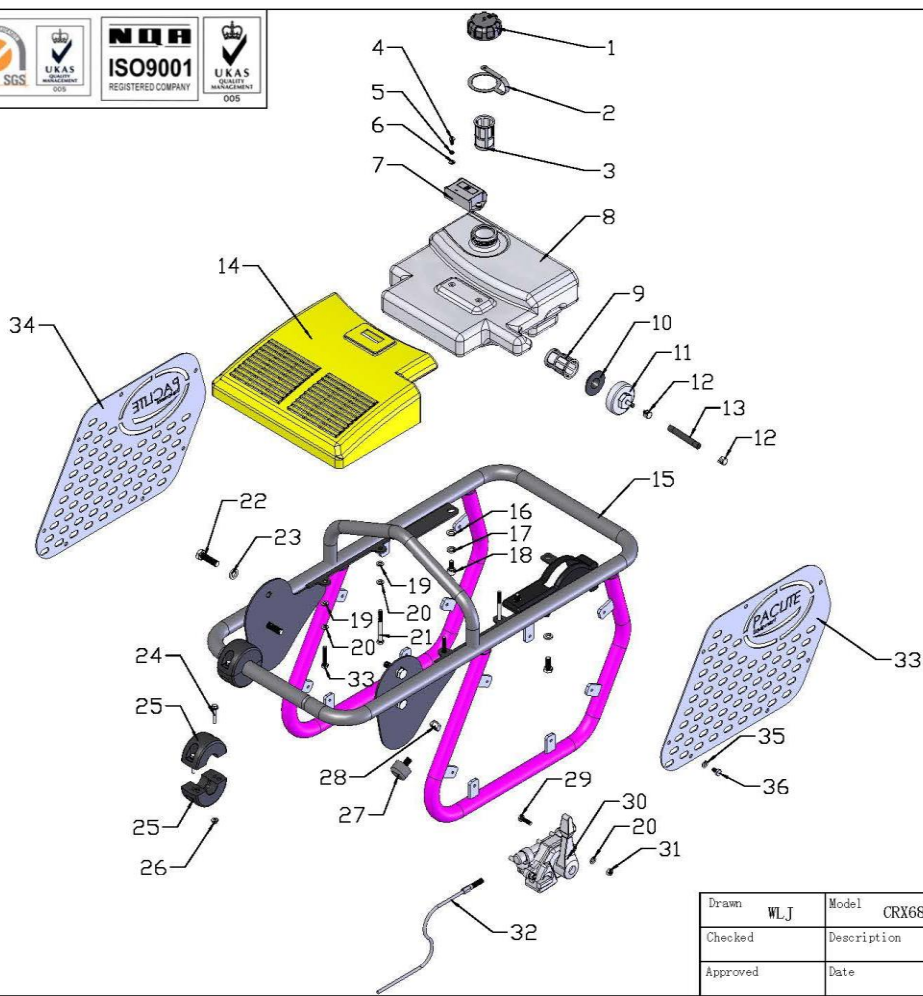


CRX68-01 FUEL TANK & HANDLE ASSY

NO.	PART NO.	PART DESCRIPTION	QTY	Prix de vente Internet
01-1	CRX68-70B-010112P	FUEL TANK CAP	1	30,15 €
01-2	CRX68-70B-010113P	STRAP	1	4,08 €
01-3	CRX68-70ND-010114	STRAINER	1	16,08 €
01-4	CRX68-PAN.S-M5x10-GB-2	PAN HEAD SCREW	2	0,15 €
01-5	CRX68-SPG.W5-DIN-2	SPRING WASHER	2	0,03 €
01-6	CRX68-FN.W5-DIN-2	WASHER	2	0,03 €
01-7	CRX68-20A-020208	SPEED INSTRUMENT	1	72,12 €
01-8	CRX68-70C-010200	FUEL TANK	1	64,62 €
01-9	CRX68-70B-010110	STRAINER	1	18,60 €
01-10	CRX68-70ND-010115	PACKING	1	6,08 €
01-11	CRX68-70C-010700	FUEL TANK CAP ,BOTTOM	1	27,45 €
01-12	CRX68-70B-000021	HOSE BAND	2	3,52 €
01-13	CRX68-70C-010500	FUEL HOSE	1	0,83 €
01-14	CRX68-70C-010600	COVER	1	25,64 €
01-15	CRX68-70C-010100F	OPERATION HANDLE	1	80,77 €
01-16	CRX68-FN.W8-DIN-1	WASHER	3	0,16 €
01-17	CRX68-HSPG.W8-DIN-1	SPRING WASHER,TANG ENDS	3	0,16 €
01-18	CRX68-HS.B-M8x16-8.8-GB-1	SCREW	3	0,03 €
01-19	CRX68-FN.W6-DIN-1	WASHER	4	0,16 €
01-20	CRX68-HSPG.W6-DIN-1	SPRING WASHER,TANG ENDS	6	0,16 €
01-21	CRX68-HS.B-M6x20-8.8-GB-1	SCREW	4	0,06 €
01-22	CRX68-FN.B-M10x35-8.8-DIN-1	BOLT	4	0,28 €
01-23	CRX68-HSPG.W10-DIN-1	SPRING WASHER,TANG ENDS	4	0,16 €
01-24	CRX68-HF.B-M5x30-8.8-DIN-2	HEXAGON FLANGE BOLT	4	0,20 €
01-25	CRX68-65ND-010100	ROLLER	4	5,13 €
01-26	CRX68-HF.N-M5-DIN-2	HEXAGON FLANGE NUT	4	0,09 €
01-27	CRX68-CPT80-0408	CUSHION	1	10,08 €
01-28	CRX68-IN.N-M10-DIN-1	LOCK NUT	1	0,24 €
01-29	CRX68-FN.B-M6x20-8.8-DIN-1	BOLT	2	0,16 €
01-30	CRX68-70C-010300	THROTTLE LEVER ASSY	1	76,92 €
01-31	CRX68-FN.N-M6-DIN-1	NUT	2	0,16 €
01-32	CRX68-W06-S04-L600x800	THROTTLE CABLE	1	31,80 €
01-33	CRX68-70C-010130	LEFT COVER	1	22,43 €
01-34	CRX68-70C-010120	RIGHT COVER	1	22,43 €
01-35	CRX68-HSPG.W6-DIN-1	SPRING WASHER,TANG ENDS	14	0,16 €
01-36	CRX68-HS.B-M6x10-8.8-GB-1	SCREW	14	0,16 €



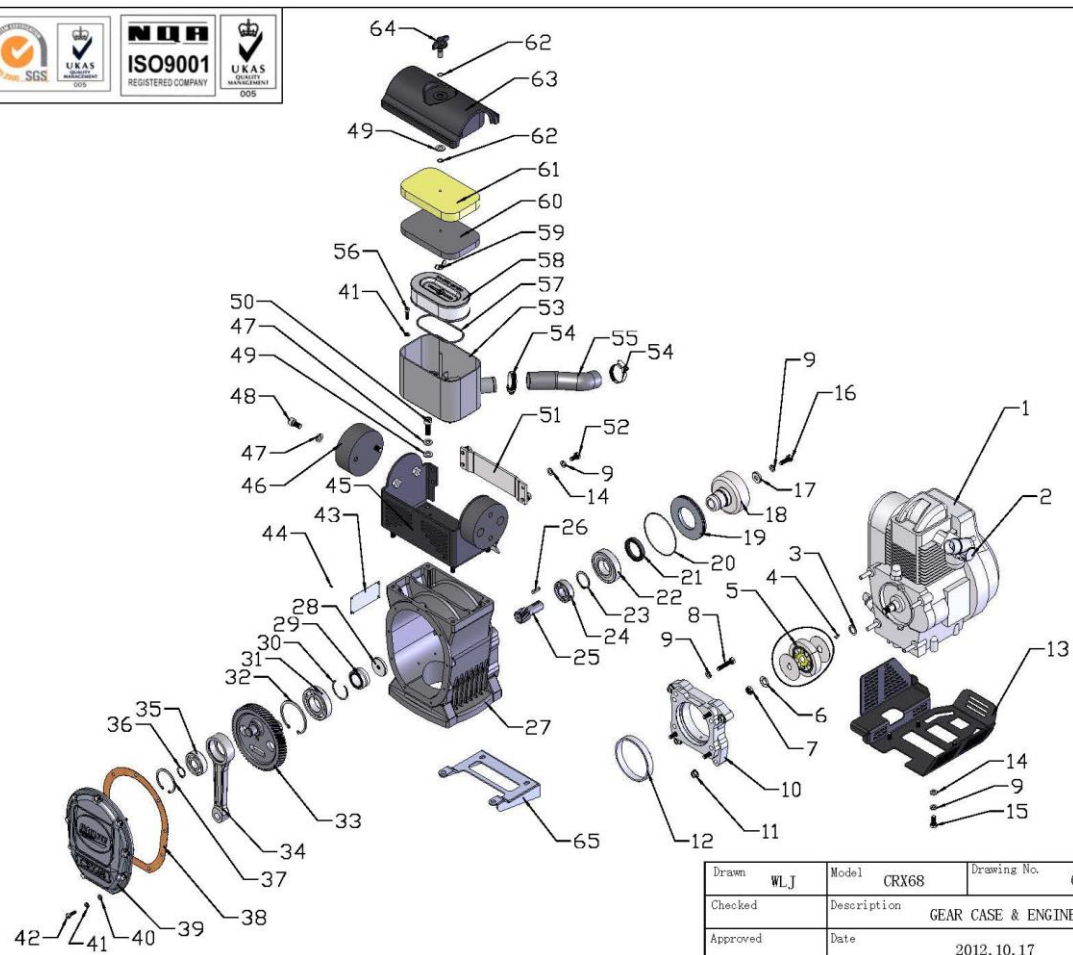
Drawn	WLJ	Model	CRX68	Drawing No.	CRX68-01
Checked		Description	FULE TANK & HAMDLE ASSY		
Approved		Date	2012.10.17		

CRX68-02 GEAR CASE & ENGINE ASSY

NO.	PART NO.	PART DESCRIPTION	QTY	Prix de vente Internet
02-1	CRX68-W05-ER12	ENGINE	1	317,54 €
02-2	CRX68-70C-021500D	JOINT	1	36,85 €
02-3	CRX68-80-0997	WASHER	1	4,00 €
02-4	CRX68-WKey-4x5x13	WOODRUFF KEY	1	2,25 €
02-5	CRX68-W18-C812A	CENTRIFUGAL CLUTCH ASSY	1	94,89 €
02-6	CRX68-80-0998	LOCK WASHER	1	0,20 €
02-7	CRX68-FNL.N-M12x1.25-DIN-2	THIN NUT	1	0,28 €
02-8	CRX68-HS.B-M8x40-8.8-GB-1	SCREW	4	0,03 €
02-9	CRX68-HSPG.W8-DIN-1	SPRING WASHER,TANG ENDS	13	0,16 €
02-10	CRX68-70C-020100R	FLAGE	1	123,02 €
02-11	CRX68-HF.N-M8-DIN-2	HEXAGON FLANGE NUT	4	0,09 €
02-12	CRX68-70C-021300	BUSH	1	6,62 €
02-13	CRX68-70C-020400	ENGINE SUPPORT	1	32,70 €
02-14	CRX68-FN.W8-DIN-1	WASHER	9	0,16 €
02-15	CRX68-FN.B-M8x20-8.8-DIN-1	BOLT	4	0,16 €
02-16	CRX68-FN.B-M8x25-8.8-DIN-1	BOLT	1	0,20 €
02-17	CRX68-70B-020129	LOCK WASHER	1	32,16 €
02-18	CRX68-70B-020119	CLUTCH HOUSING	1	79,80 €
02-19	CRX68-50ND-020006	SPACER	1	28,22 €
02-20	CRX68-W04-94.5x2	O RING	1	4,08 €
02-21	CRX68-W03-52x40x8	OIL SEAL	1	4,08 €
02-22	CRX68-W01-6207ZZ-J	BEARING	1	20,24 €
02-23	CRX68-CS.RG35	EXTERNAL CIRCLIP	1	0,40 €
02-24	CRX68-W01-6204-J	BEARING	1	9,56 €
02-25	CRX68-70C-020124	PINION	1	55,35 €
02-26	CRX68-Key.A-5x5x22	KEY	1	4,08 €
02-27	CRX68-70C-010000	GEAR CASE	1	150,77 €
02-28	CRX68-70B-020101	WASHER	1	7,08 €
02-29	CRX68-70B-W01-TAF324220	BEARING	1 SET	40,78 €
	CRX68-70B-W01-LRT283220			0,00 €
02-30	CRX68-70B-020112	INTERNAL CIRCLIP	1	2,56 €
02-31	CRX68-W01-6207Z-J	BEARING	1	18,08 €
02-32	CRX68-CH.RG72	INTERNAL CIRCLIP	1	1,36 €
02-33	CRX68-70C-020115	CRANK GEAR	1	211,68 €
02-34	CRX68-70ND-020102	CONNECTING ROD	1	86,22 €

CRX68-02 GEAR CASE & ENGINE ASSY

NO.	PART NO.	PART DESCRIPTION	QTY	Prix de vente Internet
02-35	CRX68-W01-6304-J	BEARING	1	15,12 €
02-36	CRX68-CS.RG20	EXTERNAL CIRCLIP	1	0,20 €
02-37	CRX68-CH.RG52	INTERNAL CIRCLIP	1	0,80 €
02-38	CRX68-70ND-020114	PACKING,FRONT COVER	1	2,08 €
02-39	CRX68-70ND-020103W	FRONT COVER	1	19,88 €
02-40	CRX68-FN.W6-DIN-1	WASHER	9	0,03 €
02-41	CRX68-HSPG.W6-DIN-1	SPRING WASHER,TANG ENDS	13	0,16 €
02-42	CRX68-FN.B-M6x20-8.8-DIN-1	BOLT	9	0,16 €
02-43	CRX68-D4-MP-P	NAMEPLATE	1	1,35 €
02-44	CRX68-K.RVT-2.5x5	RIVET	4	0,16 €
02-45	CRX68-70C-020200	HANDLE SUPPORT	1	43,14 €
02-46	CRX68-70B-020125	SHOCK ABSORBER	2	79,80 €
02-47	CRX68-HSPG.W10-DIN-1	SPRING WASHER,TANG ENDS	8	0,16 €
02-48	CRX68-HS.B-M10x25-8.8-GB-1	SCREW	4	0,24 €
02-49	CRX68-FN.W10-DIN-1	WASHER	4	0,16 €
02-50	CRX68-HS.B-M10x30-8.8-GB-1	SCREW	4	0,32 €
02-51	CRX68-70C-020300	FIXING PLATE	1	8,16 €
02-52	CRX68-FN.B-M8x16-8.8-DIN-1	BOLT	4	0,20 €
02-53	CRX68-70C-020500	AIR CLEANER BOX	1	16,03 €
02-54	CRX68-60ND-000011	HOOP	2	2,22 €
02-55	CRX68-50ND-020049	INTAKE PIPE	1	30,51 €
02-56	CRX68-HS.B-M6x20-8.8-GB-1	SCREW	4	0,04 €
02-57	CRX68-W04-90x3.5	O RING	1	4,08 €
02-58	CRX68-70C-021200	FILTER	1	19,23 €
02-59	CRX68-WNG.N-M6	BUTTERFLY NUT	1	0,38 €
02-60	CRX68-70C-020700	SECOND AIR CLEANER	1	1,00 €
02-61	CRX68-70C-020800	FIRST AIR CLEANER	1	1,21 €
02-62	CRX68-W04-8.8x1.9	O-RING	1	0,10 €
02-63	CRX68-70C-020600	AIR CLEANER BOX COVER	1	9,62 €
02-64	CRX68-70C-020900	SCERW	1	3,21 €
02-65	CRX68-70C-020009	ENGINE SUPPORT	1	14,61 €



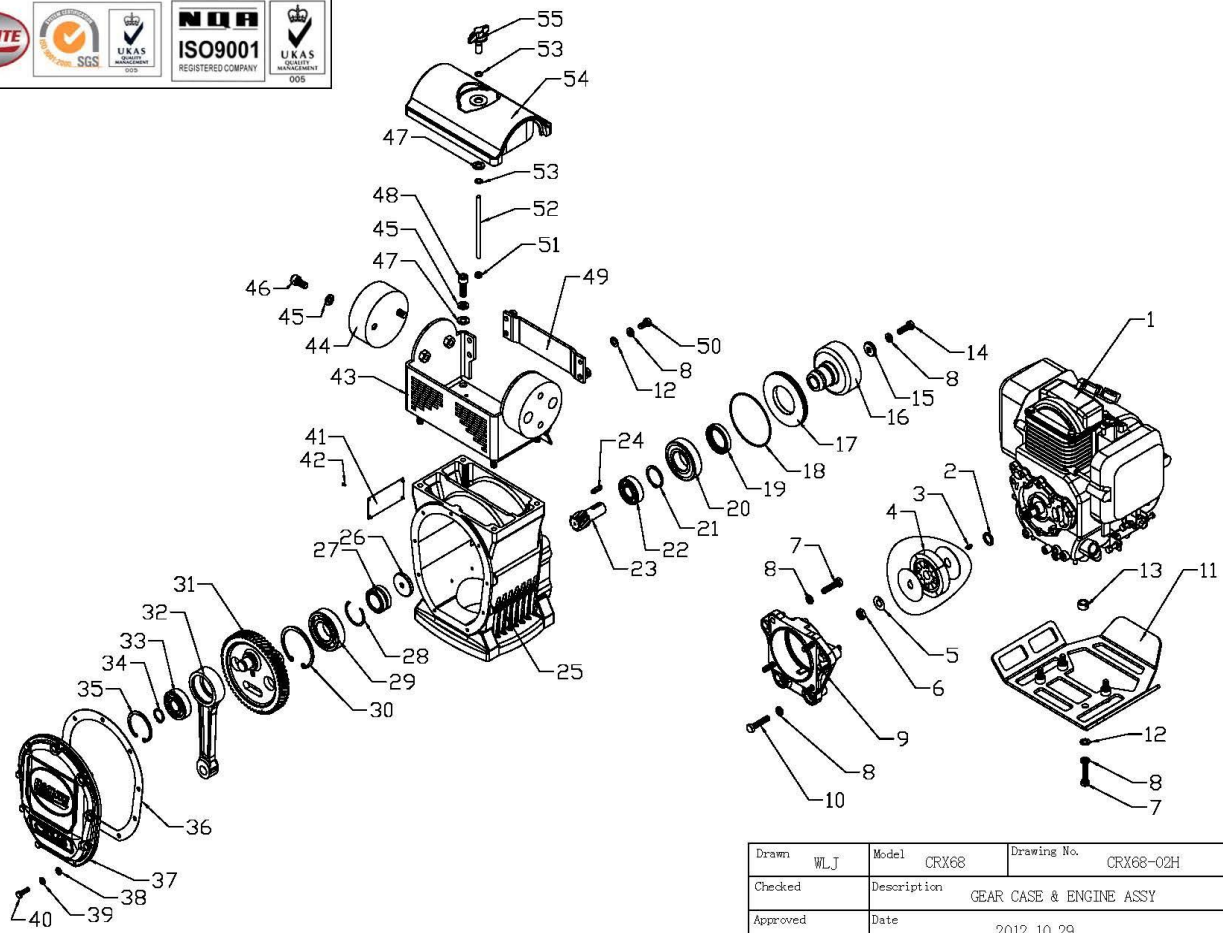
Drawn	WLJ	Model	CRX68	Drawing No.	CRX68-02
Checked		Description	GEAR CASE & ENGINE ASSY		
Approved		Date	2012.10.17		

CRX68-02H GEAR CASE & ENGINE ASSY

NO.	PART NO.	PART DESCRIPTION	QTY	Prix de vente Internet
02-1	CRX68-W05-GX100U-KRPH	ENGINE	1	379,38 €
02-2	CRX68-80-0997	WASHER	1	4,00 €
02-3	CRX68-WKey-4x5x13	WOODRUFF KEY	1	2,25 €
02-4	CRX68-W18-C812A	CENTRIFUGAL CLUTCH ASSY	1	94,89 €
02-5	CRX68-80-0998	LOCK WASHER	1	0,20 €
02-6	CRX68-FNL.N-M12x1.25-DIN-2	THIN NUT	1	0,28 €
02-7	CRX68-HS.B-M8x35-8.8-GB-1	SCREW	8	0,12 €
02-8	CRX68-HSPG.W8-DIN-1	SPRING WASHER,TANG ENDS	17	0,06 €
02-9	CRX68-60ND-020100	FLAGE	1	123,02 €
02-10	CRX68-FN.B-M8x40-8.8-DIN-1	BOLT	4	0,04 €
02-11	CRX68-60ND-020003H	ENGINE SUPPORT	1	27,69 €
02-12	CRX68-FN.W8-DIN-1	WASHER	8	0,16 €
02-13	CRX68-276-040200	WASHER	4	0,83 €
02-14	CRX68-FN.B-M8x25-8.8-DIN-1	BOLT	1	0,20 €
02-15	CRX68-70B-020129	LOCK WASHER	1	3,04 €
02-16	CRX68-70B-020119	CLUTCH HOUSING	1	79,80 €
02-17	CRX68-50ND-020006	SPACER	1	28,22 €
02-18	CRX68-W04-94.5x2	O RING	1	4,08 €
02-19	CRX68-W03-52x40x8	OIL SEAL	1	4,08 €
02-20	CRX68-W01-6207ZZ-J	BEARING	1	20,24 €
02-21	CRX68-CS.RG35	EXTERNAL CIRCLIP	1	0,40 €
02-22	CRX68-W01-6204-J	BEARING	1	9,56 €
02-23	CRX68-70C-020124	PINION	1	55,35 €
02-24	CRX68-Key.A-5x5x22	KEY	1	4,08 €
02-25	CRX68-70C-010000H	GEAR CASE	1	150,76 €
02-26	CRX68-70B-020101	WASHER	1	7,08 €
02-27	CRX68-70B-W01-TAF324220	BEARING	1 SET	40,78 €
	CRX68-70B-W01-LRT283220			0,00 €
02-28	CRX68-70B-020112	INTERNAL CIRCLIP	1	2,56 €
02-29	CRX68-W01-6207Z-J	BEARING	1	20,19 €
02-30	CRX68-CH.RG72	INTERNAL CIRCLIP	1	18,08 €
02-31	CRX68-70C-020115	CRANK GEAR	1	211,68 €
02-32	CRX68-70ND-020102	CONNECTING ROD	1	86,22 €
02-33	CRX68-W01-6304-J	BEARING	1	15,12 €
02-34	CRX68-CS.RG20	EXTERNAL CIRCLIP	1	0,20 €

CRX68-02H GEAR CASE & ENGINE ASSY

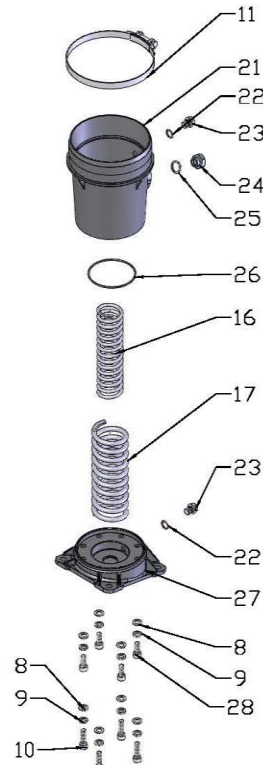
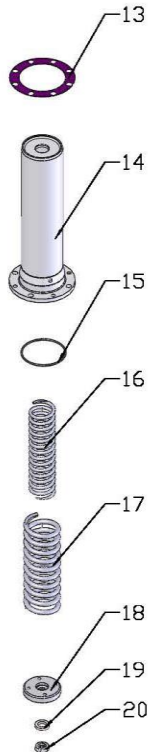
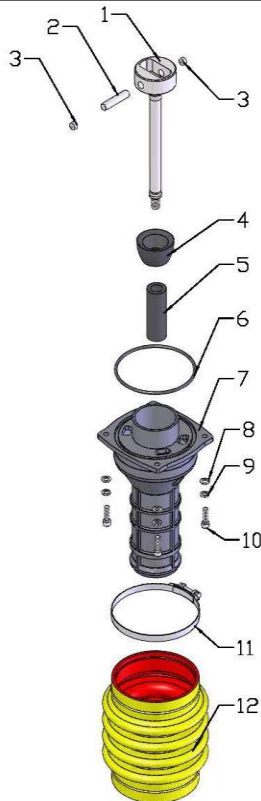
NO.	PART NO.	PART DESCRIPTION	QTY	Prix de vente Internet
02-35	CRX68-CH.RG52	INTERNAL CIRCLIP	1	0,80 €
02-36	CRX68-70ND-020114	PACKING,FRONT COVER	1	2,08 €
02-37	CRX68-70ND-020103W	FRONT COVER	1	19,88 €
02-38	CRX68-FN.W6-DIN-1	WASHER	9	0,03 €
02-39	CRX68-HSPG.W6-DIN-1	SPRING WASHER,TANG ENDS	9	0,16 €
02-40	CRX68-FN.B-M6x20-8.8-DIN-1	BOLT	9	0,16 €
02-41	CRX68-D4-MP-P	NAMEPLATE	1	1,35 €
02-42	CRX68-K.RVT-2.5x5	RIVET	4	0,16 €
02-43	CRX68-70C-020200	HANDLE SUPPORT	1	43,14 €
02-44	CRX68-70B-020125	SHOCK ABSORBER	2	79,80 €
02-45	CRX68-HSPG.W10-DIN-1	SPRING WASHER,TANG ENDS	8	0,16 €
02-46	CRX68-HS.B-M10x25-8.8-GB-1	SCREW	4	0,24 €
02-47	CRX68-FN.W10-DIN-1	WASHER	5	0,16 €
02-48	CRX68-HS.B-M10x30-8.8-GB-1	SCREW	4	0,32 €
02-49	CRX68-70C-020300	FIXING PLATE	1	8,16 €
02-50	CRX68-FN.B-M8x16-8.8-DIN-1	BOLT	4	0,20 €
02-51	CRX68-FN.N-M6-DIN-1	NUT	1	0,16 €
02-52	CRX68-70C-021400	BOLT	1	1,05 €
02-53	CRX68-W04-8.8x1.9	O-RING	2	0,10 €
02-54	CRX68-70C-020600	AIR CLEANER BOX COVER	1	9,62 €
02-55	CRX68-70C-020900	SCERW	1	3,21 €



Drawn	WLJ	Model	CRX68	Drawing No.	CRX68-02H
Checked		Description	GEAR CASE & ENGINE ASSY		
Approved		Date	2012. 10. 29		

CRX68-03 GUIDE CYLINDER & SPRING ASSY

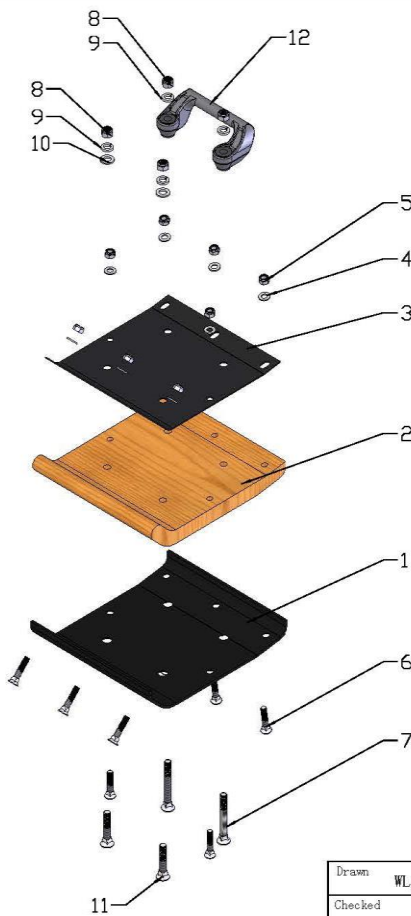
NO.	PART NO.	PART DESCRIPTION	QTY	Prix de vente Internet
03-1	CRX68-70ND-020001	PISTON ROD	1	150,54 €
03-2	CRX68-70ND-020215	PISTON PIN	1	28,64 €
03-3	CRX68-70ND-020211	NYLON STOPPLE	2	6,08 €
03-4	CRX68-70ND-020221	STOPPER	1	28,64 €
03-5	CRX68-70ND-020219	SPRING GUIDE	1	32,16 €
03-6	CRX68-W04-159.3x5.7	O RING	1	4,08 €
03-7	CRX68-70ND-020206	GUIDE CYLINDER	1	180,66 €
03-8	CRX68-FN.W10-DIN-1	WASHER	12	0,16 €
03-9	CRX68-HSPG.W10-DIN-1	SPRING WASHER,TANG ENDS	12	0,16 €
03-10	CRX68-HS.B-M10x35-8.8-GB-1	SCREW	8	0,32 €
03-11	CRX68-70B-021000	BELLOW HOOP	2	9,56 €
03-12	CRX68-70B-020216P	BELLOW	1	131,46 €
03-13	CRX68-70ND-020218	PACKING	1	4,08 €
03-14	CRX68-70ND-020220	SPRING CYLINDER	1	169,86 €
03-15	CRX68-W04-88x3.5	O RING	1	4,08 €
03-16	CRX68-70ND-020201	INNER SPRING	2	64,02 €
03-17	CRX68-70ND-020202	OUTER SPRING	2	79,08 €
03-18	CRX68-70ND-020210	PISTON	1	24,64 €
03-19	CRX68-SPG.W18-DIN-3	SPRING WASHER	1	0,24 €
03-20	CRX68-FNL.N-M18x1.5-DIN-1	THIN NUT	1	1,52 €
03-21	CRX68-70ND-020222	PROTECTION SLEEVE	1	139,29 €
03-22	CRX68-GB97.1-M14	CUPRUM WASHER	2	0,36 €
03-23	CRX68-HHOS.B-M14x1.5	HEXAGON HEAD PLUG	2	1,52 €
03-24	CRX68-100GB-041000	OIL GAUGE	1	18,43 €
03-25	CRX68-ZH-D-M20	WASHER	1	0,48 €
03-26	CRX68-W04-94.4x3.1	O RING	1	4,08 €
03-27	CRX68-70C-030200	FOOT PLATE	1	63,60 €
03-28	CRX68-HS.B-M10x25-8.8-GB-1	SCREW	4	0,24 €



Drawn	WLJ	Model	CRX68	Drawing No.	CRX68-03
Checked		Description	GUIDE CYLINDER & SPRING ASSY		
Approved		Date	2012. 10. 17		

CRX68-04 RAMMER SHOE ASSY

NO.	PART NO.	PART DESCRIPTION	QTY	Prix de vente Internet
04-1	CRX68-70ND-030106	RAMMER SHOE STEEL PLATE	1	48,99 €
04-2	CRX68-70ND-030104	RAMMER SHOE WOODEN PLATE	1	103,50 €
04-3	CRX68-70ND-030105	RAMMER SHOE CLAMP PLATE	1	28,60 €
04-4	CRX68-FN.W10-DIN-1	WASHER	8	0,16 €
04-5	CRX68-IN.N-M10-DIN-1	LOCK NUT	8	0,24 €
04-6	CRX68-FSN.B-M10x50	SUNK HEAD BOLT	8	5,56 €
04-7	CRX68-FSN.B-M12x95	SUNK HEAD BOLT	2	8,56 €
04-8	CRX68-IN.N-M12-DIN-1	LOCK NUT	4	0,32 €
04-9	CRX68-HSPG.W12-DIN-1	SPRING WASHER,TANG ENDS	4	0,16 €
04-10	CRX68-FN.W12-DIN-1	WASHER	2	0,16 €
04-11	CRX68-FSN.B-M12x65	SUNK HEAD BOLT	2	6,08 €
04-12	CRX68-70ND-030100B	HANDLE	1	32,31 €



Drawn	WLJ	Model	CRX68	Drawing No.	CRX68-04
Checked		Description	RAMMER SHOE ASSY		
Approved		Date	2012. 10. 17		