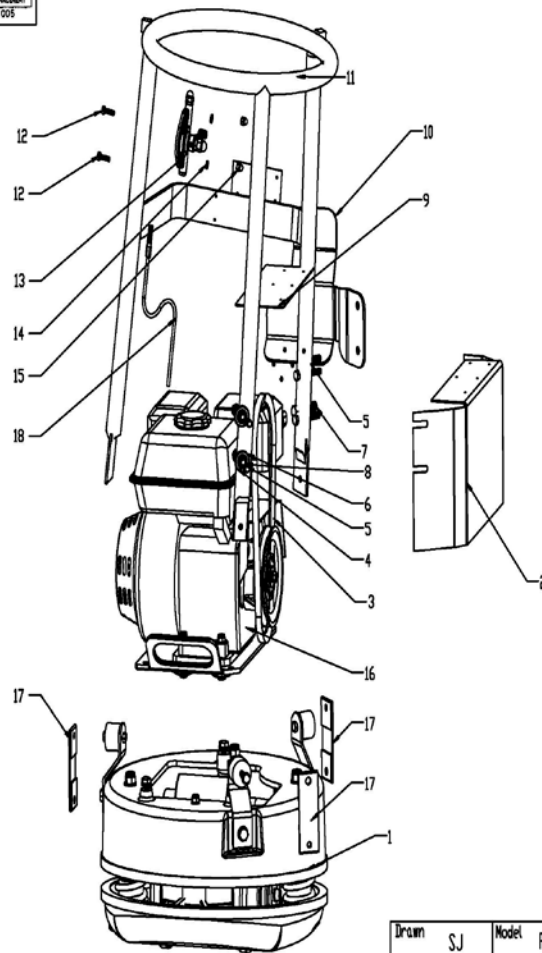


**ROUND BASE COMPACTOR PX91H**  
**DRAWING NO: PX91H-0 PX91H ASSEMBLY**

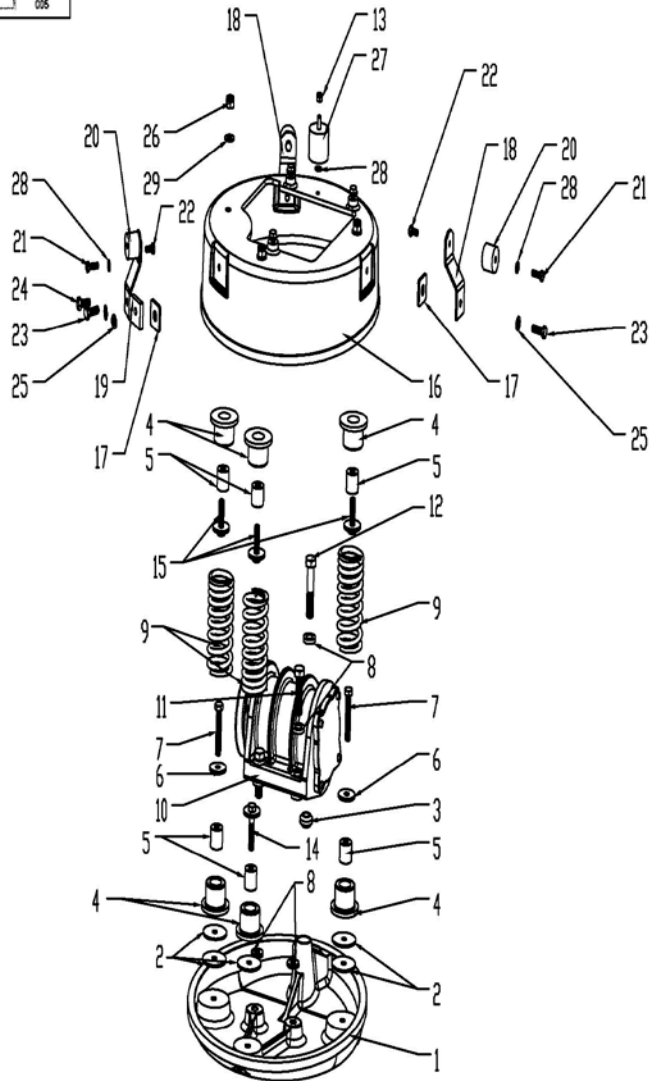
NO.	NO.	PART	PART DESCRIPTION	QTY	UNIT PRICE (EURO) 2019
00-1	PX91H-01		ENGINE BASE ASSEMBLY	1	€ 1 642,59
00-2	PX91H-24-A		SAFTEY COVER	1	€ 53,45
00-3	PX91H-W02-B35		V-BELT	2	€ 17,75
00-4	PX91H-WOD.W10-GB-1		WASHER	2	€ 0,35
00-5	PX91H-FN.W10-DIN-1		WASHER	2	€ 0,30
00-6	PX91H-FNL.N-M10-DIN-1		NUT	4	€ 0,40
00-7	PX91H-FN.B-M10x45-8.8-DIN-1		BOLT	2	€ 0,45
00-8	PX91H-FN.B-M10x40-8.8-DIN-1		BOLT	2	€ 0,45
00-9	PX91H-66-A		SAFETY COVER SHEET	1	€ 47,10
00-10	PX91H-39-A		SIDE SAFETY COVER	1	€ 63,50
00-11	PX91H-18-B		SAFTEY BAR	1	€ 212,95
00-12	PX91H-FN.B-M6x20-8.8-DIN-1		BOLT	2	€ 0,35
00-13	PX91H-RAM70ND-010018		THROTTLE LEVER	1	€ 90,93
00-14	PX91H-HSPG.W6-DIN-1		WASHER	2	€ 0,30
00-15	PX91H-HC.N-M6-DIN-1		NUT	2	€ 0,35
00-16	PX91H-07-A		ENGINE MOUNT ASSEMBLY	1	€ 1 368,75
00-17	PX91H-15-A		LIMITER	3	€ 2,15
00-18	PX91H-W06-S04-L800x600		THROTTLE CABLE (油门线)	1	€ 45,12



Drawn	SJ	Model	PX91H	Drawing No.	PX91H-00
Checked		Description	PX91H ASSEMBLY		
Approved		Date	2011.03.18		

**ROUND BASE COMPACTOR PX91H**  
**DRAWING NO: PX91H-0 ENGINE BASE ASSEMBLY**

NO.	PART NO.	DESCRIPTION	PART	QTY	UNIT PRICE (EURO) 2019
01-1	PX91H-01-A	BOTTOM PLATE		1	€ 290,34
01-2	PX91H-61-A	BASE PLATE SUPPORT		5	€ 3,30
01-3	PX91H-25-A	EXCITER MOUNT		1	€ 4,60
01-4	PX91H-06-A	BASE PLATE SHOCK MOUNT		6	€ 10,40
01-5	PX91H-28-A	SPRING ROD		6	€ 3,45
01-6	PX91H-62-A	SPRING SUPPORT		3	€ 8,10
01-7	PX91H-ISO 4016 - M12 x 70 x 38-WN	BOLT		2	€ 0,60
01-8	PX91H-26-A	EXCITER SUPPORT		5	€ 1,55
01-9	PX91H-57-A	SPRING		3	€ 24,20
01-10	PX91H-02-A	GEAR BOX ASSEMBLY		1	€ 928,41
01-11	PX91H-FN.B-M16x60-8.8HALF-DIN-1	BOLT		2	€ 1,30
01-12	PX91H-FN.B-M16x80-8.8HALF-DIN-1	BOLT		1	€ 1,40
01-13	PX91H-IN.N-M8-DIN-1	NUT		1	€ 0,35
01-14	PX91H-FN.B-M12x60-8.8-DIN-1	BOLT		1	€ 0,80
01-15	PX91H-47-A	SHOCK MOUNT BOLT ASSEMBLY		1	€ 4,35
01-16	PX91H-01.1-A	ENGINE BASE		1	€ 181,17
01-17	PX91H-22-A	BRACKET PLATE		3	€ 16,05
01-18	PX91H-19-A	BRACKET1		2	€ 26,40
01-19	PX91H-19.1-A	BRACKET2		1	€ 31,85
01-20	PX91H-49-A	BRACKET SHOCK MOUNT		3	€ 8,65
01-21	PX91H-FN.B-M8x25-8.8-DIN-1	BOLT		3	€ 0,30
01-22	PX91H-FN.B-M8x16-8.8-DIN-1	BOLT		3	€ 0,35
01-23	PX91H-FN.B-M10x30-8.8-DIN-1	BOLT		6	€ 0,35
01-24	PX91H-FN.B-M10x15-8.8-DIN-1	BOLT		1	€ 0,35
01-25	PX91H-FN.W10-DIN-1	WASHER		7	€ 0,30
01-26	PX91H-IN.N-M12-DIN-1	NUT		3	€ 0,50
01-27	PX91H-72-A	ENGINE BASE SHOCK MOUNT		1	€ 16,05
01-28	PX91H-FN.W8-DIN-1	WASHER		4	€ 0,30
01-29	PX91H-FN.W12-DIN-1	WASHER		3	€ 0,30

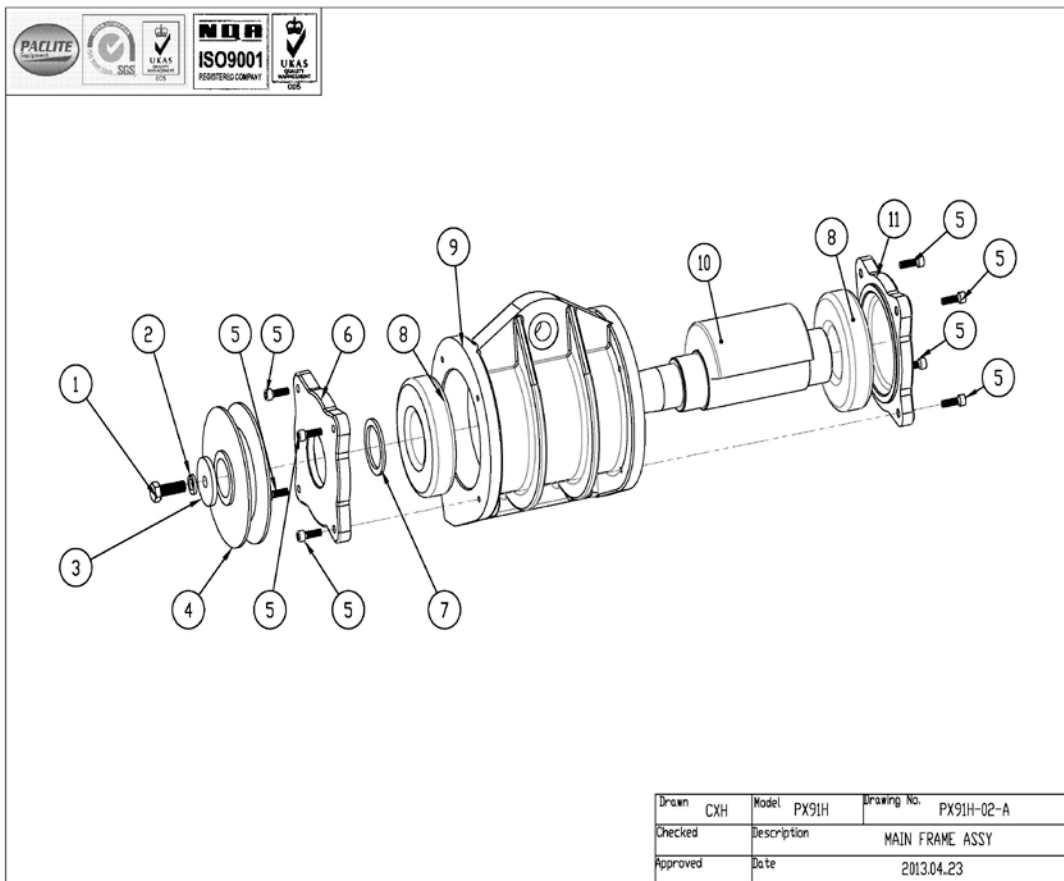


Drawn	SJ	Model	PX91H	Drawing No.	PX91H-01
Checked		Description	ENGINE BASE ASSEMBLY		
Approved		Date	2011.03.18		

# ROUND BASE COMPACTOR PX91H

## DRAWING NO: PX91H-0 GEAR BOX ASSEMBLY

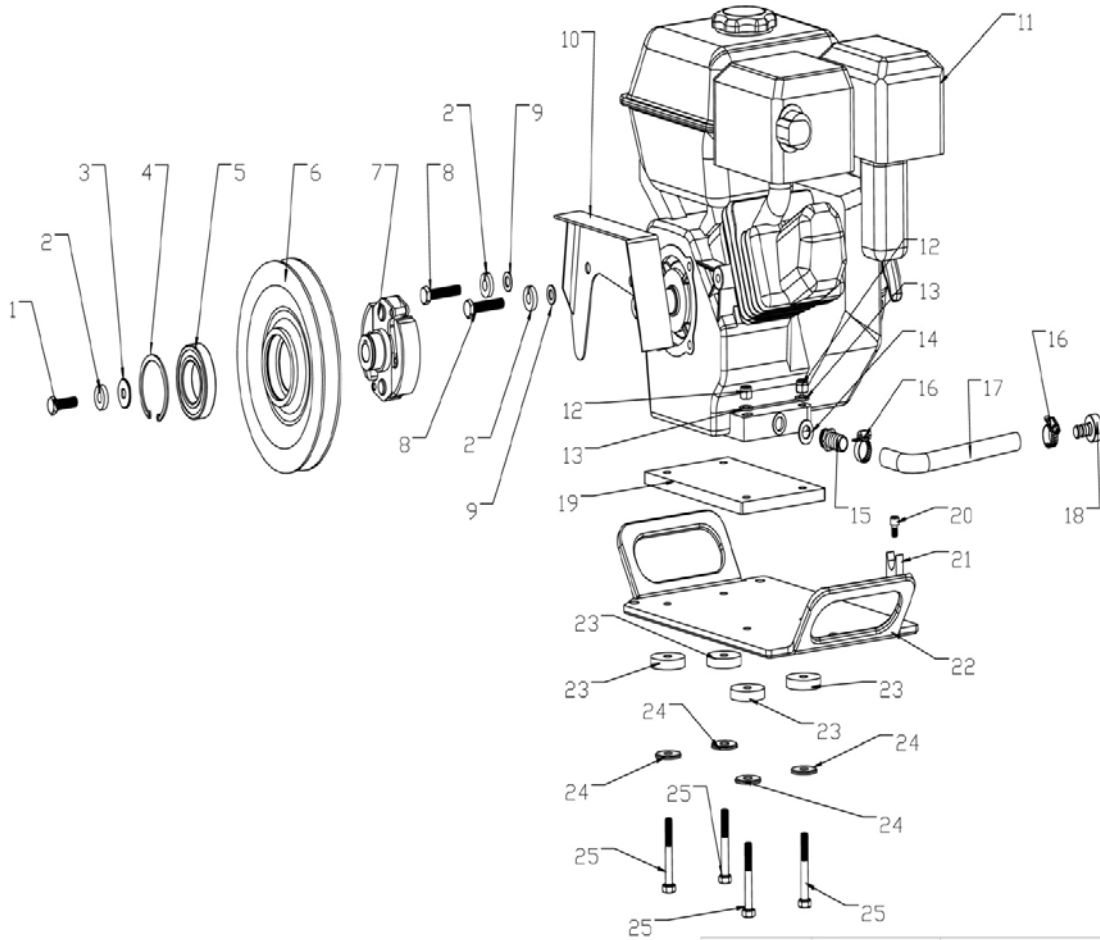
NO.	PART NO.	DESCRIPTION	PART	QTY	UNIT PRICE (EURO) 2019
02-1	PX91H-ISO 4762 M10 X 25 - DIN-1	BOLT		1	€ 0,90
02-2	PX91H-HSPG.W10-DIN-1	LOCK WASHER		1	€ 0,30
02-3	PX91H-79-A	GEARBOX PULLEY WASHER		1	€ 16,00
02-4	PX91H-105-A	GEARBOX PULLEY		1	€ 162,40
02-5	PX91H-HS.B-M6x20-8.8-GB-1	BOLT		8	€ 0,30
02-6	PX91H-04.1-A	BEARING COVER RIGHT		1	€ 131,43
02-7	PX91H-NAK -TC-40*52*8	OIL SEAL		1	€ 6,75
02-8	PX91H-W01-6310Z-C3-J	BALL BEARING		2	€ 167,64
02-9	PX91H-03-B	GEAR BOX		1	€ 187,41
02-10	PX91H-17-A	ECCENTRIC WEIGHT SHAFT		1	€ 99,79
02-11	PX91H-04-A	BEARING COVER LEFT		1	€ 88,10



# ROUND BASE COMPACTOR PX91H

## DRAWING NO: PX91H-ENGINE MOUNT ASSEMBLY

NO.	PART NO.	DESCRIPTION	PART	QTY	UNIT PRICE (EURO) 2019
1	PX91H-FN.B-M8x30-8.8-DIN-1	BOLT		1	€ 0,40
2	PX91H-HSPG.W8-DIN-1	LOCK WASHER		3	€ 0,30
3	PX91H-73-A	ENGINE PULLEY WASHER		1	€ 2,05
4	PX91H-CH.RG55	CIRCLIPS FOR HOLES		1	€ 3,30
5	PX91H-W01-6006ZZ-J	BEARING		1	€ 17,35
6	PX91H-106-A	PULLEY		1	€ 118,16
7	PX91H-80-0500B	CLUTCH		1	€ 85,44
8	PX91H-FN.B-M8x45-8.8-DIN-1	BOLT		2	€ 0,30
9	PX91H-FN.W8-DIN-1	WASHER		2	€ 0,30
10	PX91H-30.2-A	CLUTCH COVER ASSEMBLY		1	€ 96,35
11	PX91H-W05-GX160H1-SX	HONDA ENGINE GX160		1	€ -
12	PX91H-IN.N-M8-DIN-1	NUT		4	€ 0,35
13	PX91H-WOD.W8-GB-1	WASHER		4	€ 0,30
14	PX91H-FN.W10-DIN-1	WASHER		1	€ 0,30
15	PX91H-29-A	DRAIN CONNECTOR		1	€ 10,90
16	PX91H-HOOP.D20-45	HOSE PIPE CLAMP		2	€ 16,00
17	PX91H-09-A	HOSE PIPE		1	€ 61,20
18	PX91H-27-A	DRAIN PLUG		1	€ 3,75
19	PX91H-13-A	ENGINE RUBBER SHEET		1	€ 124,20
20	PX91H-HS.B-M4x6-8.8-GB-1	BOLT		1	€ 0,30
21	PX91H-10-A	HOSE PIPE BRACKET		1	€ 5,75
22	PX91H-23-A	ENGINE PLATE		1	€ 129,85
23	PX91H-05-A	ENGINE PLATE SHOCK MOUNT		4	€ 2,45
24	PX91H-21-A	ENGINE SHOCK MOUNT SUPPORT		4	€ 1,25
25	PX91H-FN.B-M8x55-8.8-DIN-2	BOLT		4	€ 0,45



设计	CXH	型号	PX91H	图号	PX91H-07-A
审核		零件名称	ENGINE MOUNT ASSEMBLY		
审定		日期	2013.04.23		

