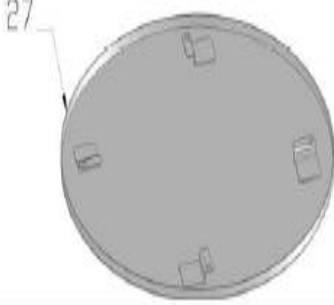
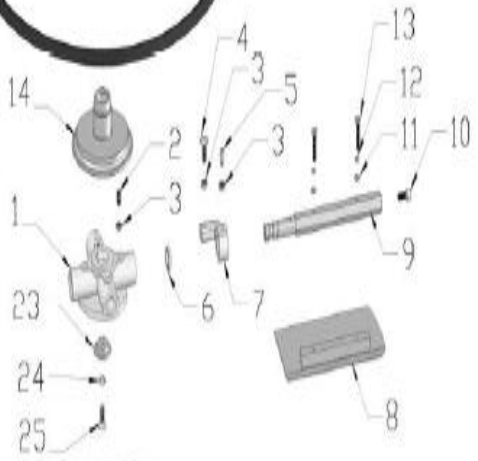
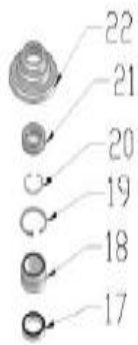


M600-01 SPIDER ASSY

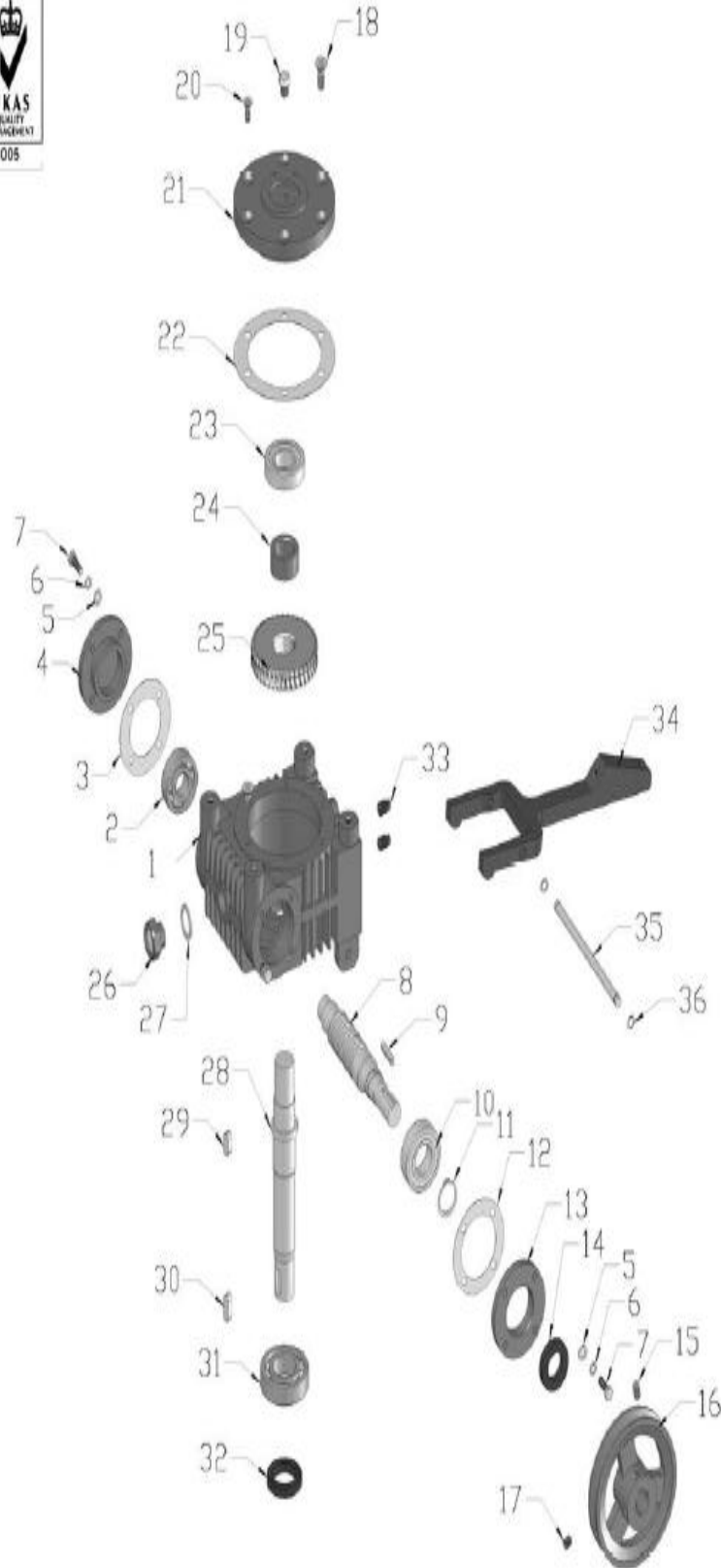
NO.	PART NO.	PART DESCRIPTION	QTY	UNIT PRICE (EUR) 2019
01-1	M600-606-050301	SPIDER	1	€ 180,30
01-2	M600-ConeHSS.S-M8x20	GRUB SCREW	4	€ 0,60
01-3	M600-FNL.N-M8	HEXAGON THIN NUT	12	€ 0,30
01-4	M600-CHSN.B-M8x25-GB-1	BOLT	4	€ 0,40
01-5	M600-GB79-85-M8x20	SOCKET SCREW WITH CYLINDRICAL POINT	4	€ 0,45
01-6	M600-W03-DH-20	OIL SEAL	4	€ 24,00
01-7	M600-606-050401	TILT ARM	4	€ 23,30
01-8	M600-606-050100	BLADE	4	accessory
01-9	M600-606-050501	SPIDER ARM	4	€ 94,65
01-10	M600-HS.B-M8x20-8.8-GB-1	SCREW	4	€ 0,45
01-11	M600-FN.W6-DIN-1	WASHER	8	€ 0,30
01-12	M600-SPG.W6-DIN-1	SPRING WASHER	8	€ 0,30
01-13	M600-FN.B-M6x35-8.8-DIN-1	BOLT	8	€ 0,40
01-14	M600-606-040303	TILT PLATE	1	€ 51,80
01-15	M600-606-040802	RUBBER RING	1	€ 53,35
01-16	M600-606-040801	GUARD PLATE	1	€ 276,50
01-17	M600-W01-6808RS-J	BEARING	1	€ 54,10
01-18	M600-W01-NKI 40/20-J	BEARING	1	€ 78,90
01-19	M600-CH.RG55	INTERNAL CIRCLIP	1	€ 0,80
01-20	M600-SS.RG40	EXTERNAL CIRCLIP	1	€ 6,00
01-21	M600-W01-51107-J	BEARING	1	€ 40,60
01-22	M600-606-040302	BEARING COVER	1	€ 86,50
01-23	M600-606-050701	END CAP	1	€ 6,00
01-24	M600-CETL.W8	COUNTERSUNK EXTERNAL TOOTHED LOCK WASHER	1	€ 6,00
01-25	M600-HSF.S-M8x25	SOCKET COUNTERSUNK HEAD SCREW	1	€ 0,60
01-26	M600-606-050601	GUARD RING	1	€ 343,06
01-27	M600-606-040803	ROUND PAN	1	accessory



Drawn	L. C	Model	M600	Drawing No.	M600-01P
Checked		Description	SPIDER ASSY		
Approved		Date	2009. 7. 28.		

M600-02 GEARBOX ASSY

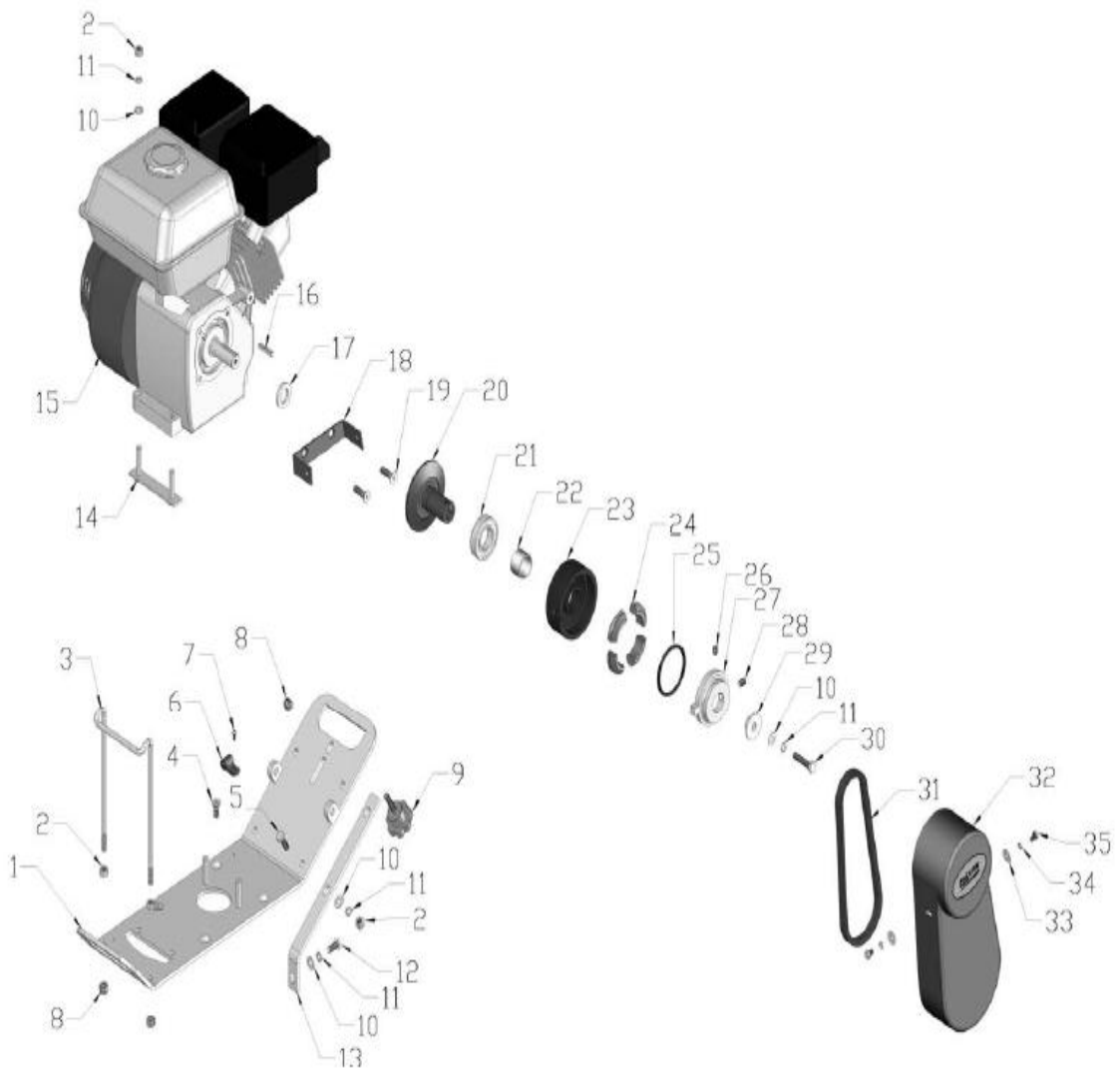
NO.	PART NO.	PART DESCRIPTION	QTY	UNIT PRICE (EUR) 2019
02-1	M600-606-040101	WORM GEAR BOX	1	€ 399,07
02-2	M600-W01-6204-J	BEARING	1	€ 14,30
02-3	M600-606-040106	SEAL, CLOSE COVER	1	€ 6,10
02-4	M600-606-040103	CLOSE COVER	1	€ 32,30
02-5	M600-FN.W6-DIN-1	WASHER	8	€ 0,30
02-6	M600-SPG.W6-DIN-1	SPRING WASHER	8	€ 0,30
02-7	M600-FN.B-M6x20-8.8-DIN-1	BOLT	8	€ 0,30
02-8	M600-606-040203	WORM	1	€ 490,60
02-9	M600-Key.A-5x5x28	KEY	1	€ 6,00
02-10	M600-W01-6205Z-J	BEARING	1	€ 14,30
02-11	M600-CS.RG25	EXTERNAL CIRCLIP	1	€ 0,45
02-12	M600-606-040107	SEAL, SIDE COVER	1	€ 6,10
02-13	M600-606-040104	SIDE COVER	1	€ 32,30
02-14	M600-W03-40x22x7	OIL SEAL	1	€ 6,10
02-15	M600-FHSS.S-M8x12	GRUB SCREW	1	€ 0,90
02-16	M600-70G-040314	PULLEY	1	€ 127,00
02-17	M600-ConeHSS.S-M8x12	SOCKET HEAD SCREW	1	€ 0,70
02-18	M600-HSF.S-M8x20	SOCKET COUNTERSUNK HEAD SCREW	5	€ 0,55
02-19	M600-606-040108	VENT SCREW	1	€ 5,25
02-20	M600-HSF.S-M8x16	SOCKET COUNTERSUNK HEAD SCREW	1	€ 42,85
02-21	M600-606-040102	TOP COVER	1	€ 55,60
02-22	M600-606-040105	SEAL, TOP COVER	1	€ 15,10
02-23	M600-W01-30205-J	BEARING	1	€ 26,35
02-24	M600-606-040204	BUSH	1	€ 14,25
02-25	M600-100G-040201	WORM GEAR	1	€ 248,82
02-26	M600-100GB-041000	OIL GAUGE	1	€ 31,55
02-27	M600-ZH-D-M20	WASHER	1	€ 0,55
02-28	M600-606-040202	WORM GEAR SHAFT	1	€ 152,50
02-29	M600-Key.A-8x7x18	KEY	1	€ 6,00
02-30	M600-Key.A-8x7x25	KEY	1	€ 6,00
02-31	M600-6206Z-J	BEARING	1	€ 19,60
02-32	M600-W03-45x30x8	OIL SEAL	1	€ 0,85
02-33	M600-100GB-040111	STOPPER	2	€ 2,30
02-34	M600-606-040304	TILT YOKE	1	€ 36,10
02-35	M600-606-040301	PIN	1	€ 8,25
02-36	M600-CS.RG8	EXTERNAL CIRCLIP	2	€ 0,55



Drawn	L. C	Model	M600	Drawing No.	M600-02
Checked		Description	GEARBOX ASSY		
Approved		Date	2009. 7. 28.		

M600-03 ENGINE BASE AND CLUTCH ASSY

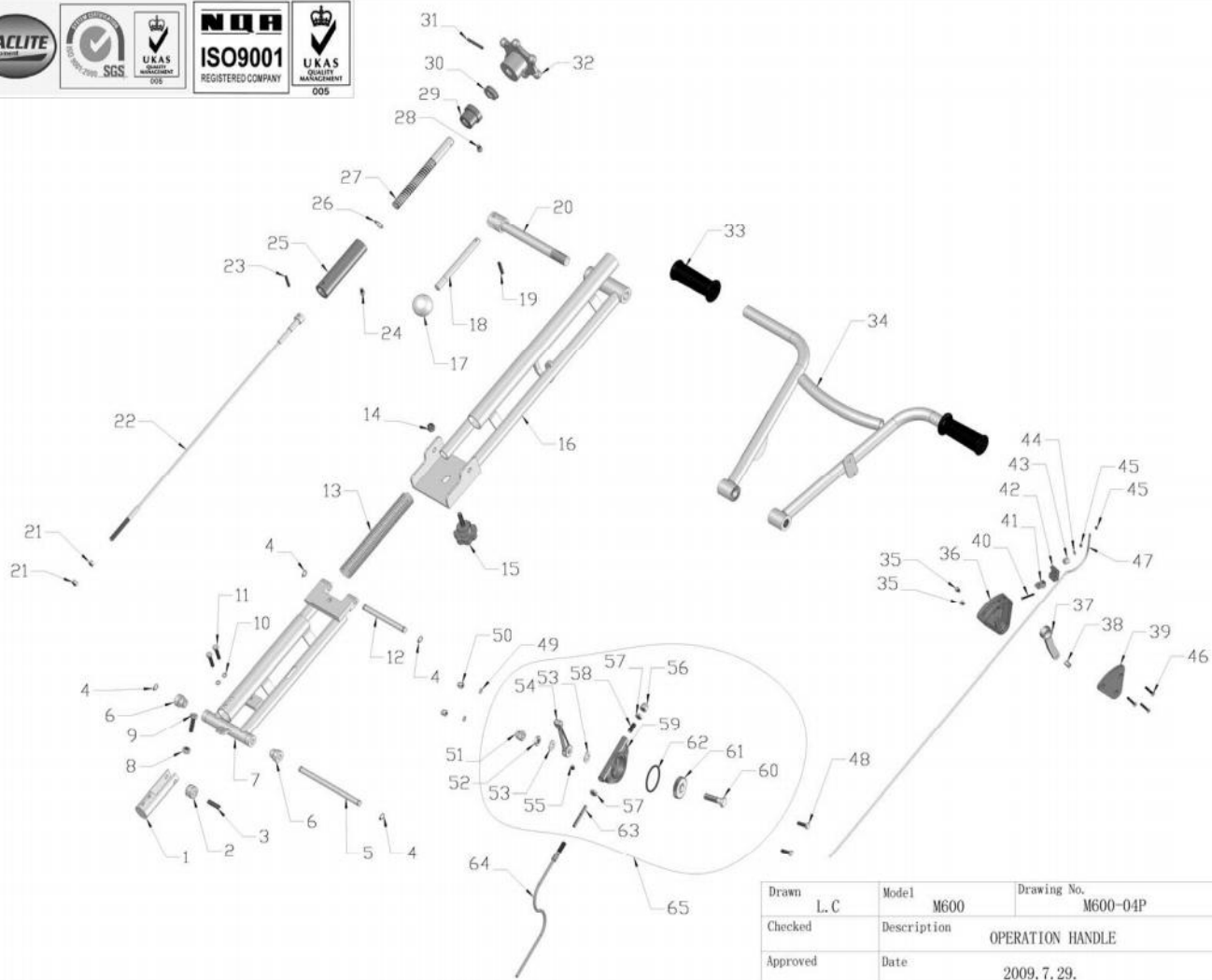
NO.	PART NO.	PART DESCRIPTION	QTY	UNIT PRICE (EUR) 2019
03-1	M600-606-010000C	ENGINE BASE	1	€ 121,00
03-2	M600-FN.N-M8-DIN-1	NUT	10	€ 0,30
03-3	M600-606-010201	HOOK	1	€ 14,25
03-4	M600-HSF.S-M8x20	SOCKET COUNTERSUNK HEAD SCREW	4	€ 0,55
03-5	M600-FN.B-M8x25-8.8-DIN-1	BOLT	4	€ 0,35
03-6	M600-X1-J-10.4	WIRE CLIP	2	€ 0,55
03-7	M600-PAN.S-M4x10	PAN HEAD SCREW	2	€ 0,35
03-8	M600-IN.N-M8-DIN-1	LOCK NUT	3	€ 0,30
03-9	M600-StarH-M8x35	STAR GRIP KNOB	1	€ 2,30
03-10	M600-FN.W8-DIN-1	WASHER	11	€ 0,30
03-11	M600-SPG.W8-DIN-1	SPRING WASHER	11	€ 0,30
03-12	M600-FN.B-M8x20-8.8-DIN-1	BOLT	2	€ 0,35
03-13	M600-606-010501	BRACKET	2	€ 14,25
03-14	M600-100G-030400	BOLT	1	€ 9,05
03-15	M600-W05-GX160H1-SX	ENGINE	1	
03-16	M600-Key.B-5x5x30	KEY	1	€ 6,00
03-17	M600-80-0317	WASHER	1	€ 7,55
03-18	M600-606-040702	BRACKET	1	€ 12,75
03-19	M600-HSF.S-M8x30	SOCKET COUNTERSUNK HEAD SCREW	2	€ 0,75
03-20	M600-606-070100	SHAFT	1	€ 57,85
03-21	M600-W01-6006ZZ-J	BEARING	1	€ 16,60
03-22	M600-100G-070500	BUSH	1	€ 25,65
03-23	M600-100G-070200	CLUTCH DRUM	1	€ 64,65
03-24	M600-100G-070400	CLUTCH BLOCK	4	€ 5,35
03-25	M600-100G-070109	SPRING	1	€ 2,60
03-26	M600-ConeHSS.S-M8x12	SOCKET HEAD SCREW	1	€ 0,70
03-27	M600-100G-070300	CLUTCH PLATE	1	€ 32,35
03-28	M600-FHSS.S-M8x12	GRUB SCREW	1	€ 0,90
03-29	M600-606-070108	WASHER	1	€ 9,05
03-30	M600-FN.B-M8x40-8.8-DIN-1	BOLT	1	€ 0,40
03-31	M600-W02-A23.5	V BELT	1	€ 26,35
03-32	M600-606-040701	BELT COVER	1	€ 118,70
03-33	M600-WOD.W6-GB-1	WASHER	2	€ 1,85
03-34	M600-SPG.W6-DIN-1	SPRING WASHER	2	€ 0,30
03-35	M600-FN.B-M6x10-8.8-DIN-1	BOLT	2	€ 0,30



Drawn	L. C	Model	M600	Drawing No.	M600-03
Checked		Description	ENGINE BASE & CLUTCH ASSY		
Approved		Date	2009. 7. 28.		

M600-04 OPERATION HANDLE ASSY

NO.	PART NO.	PART DESCRIPTION	QTY	UNIT PRICE
04-1	M600-606-000601	WHEEL BRACKET	1	€ 24,05
04-2	M600-606-000501	WHEEL	1	€ 14,25
04-3	M600-SC.PIN-8x28	SPRING PIN	1	€ 0,55
04-4	M600-CS.RG10	EXTERNAL CIRCLIP	4	€ 0,45
04-5	M600-606-020801	PIN	1	€ 7,55
04-6	M600-606-020100P	HANDLE BOTTOM	1	€ 100,70
04-7	M600-FN.N-M8-DIN-1	NUT	1	€ 0,30
04-8	M600-FN.B-M8x30-8.8-DIN-1	BOLT	1	€ 0,40
04-9	M600-SPG.W6-DIN-1	SPRING WASHER	2	€ 0,30
04-10	M600-FN.B-M6x30-8.8-DIN-1	BOLT	2	€ 0,30
04-11	M600-606-021301	PIN	1	€ 7,60
04-12	M600-606-000006	SPRING	1	€ 12,75
04-13	M600-IN.N-M8-DIN-1	LOCK NUT	1	€ 0,30
04-14	M600-StarH-M8x40	STAR GRIP KNOB	1	€ 2,30
04-15	M600-606-020200P	HANDLE TOP	1	€ 117,45
04-16	M600-SH.A-M12x40	GRIP BALL	1	€ 3,05
04-17	M600-947-99947	BAR	1	€ 9,05
04-18	M600-SC.PIN-6x30	SPRING PIN	1	€ 0,45
04-19	M600-606-030501	SCREWD-TOMMY BAR	1	€ 36,05
04-20	M600-FN.N-M6-DIN-1	NUT	2	€ 0,30
04-21	M600-606-000010	DEPTH CONTROL CABLE ASSY	1	€ 24,15
04-22	M600-SC.PIN-5x28	SPRING PIN	1	€ 0,45
04-23	M600-HS.B-M5x8-8.8-GB-1	SCREW	1	€ 0,30
04-24	M600-606-000301	SLIDE BUSH	1	€ 103,70
04-25	M600-CS.RG16	EXTERNAL CIRCLIP	1	€ 0,35
04-26	M600-100G-010003	ADJUSTING SCREW	1	€ 25,05
04-27	M600-HS.B-M6x8-8.8-GB-1	SCREW	1	€ 0,30
04-28	M600-606-000701	BEARING COVER	1	€ 15,05
04-29	M600-W01-51103-J	BEARING	1	€ 17,45
04-30	M600-SC.PIN-5x40	SPRING PIN	1	€ 0,50
04-31	M600-100G-010008P	PITCH CONTROL KNOB	1	€ 74,40
04-32	M600-100G-010001	HANDLE COVER	2	€ 9,05
04-33	M600-606-030000P	HANDLE	1	€ 240,55
04-34	M600-F.S-M5x10	COUNTERSUNK HEAD SCREW	2	€ 0,30
04-35	M600-100G-010101	CUTOUT SWITCH SHELL	1	€ 12,10
04-36	M600-100G-010103	CUTOUT SWITCH LEVER	1	€ 27,05
04-37	M600-100G-010104	CUTOUT SWITCH BUSH	1	€ 1,55
04-38	M600-100G-010102	CUTOUT COVER	1	€ 5,35
04-39	M600-F.S-M3x30	COUNTERSUNK HEAD SCREW	1	€ 0,30
04-40	M600-100G-010107	CUTOUT SWITCH REED	1	€ 4,50
04-41	M600-100G-010105	CUTOUT SWITCH OUTLET	1	€ 3,85
04-42	M600-100G-010106	CUTOUT SWITCH WASHER	1	€ 4,50
04-43	M600-FN.W3-DIN-2	WASHER	1	€ 0,30
04-44	M600-FN.N-M3-DIN-1	NUT	2	€ 0,30
04-45	M600-F.S-M4x25	COUNTERSUNK HEAD SCREW	3	€ 0,30
04-46	M600-100G-000014	WIRE HARNESS	1	€ 7,60
04-47	M600-FN.B-M6x20-8.8-DIN-2	BOLT	2	€ 0,30
04-48	M600-HC.N-M6-DIN-2	CAP NUT	2	€ 0,30
04-49	M600-HC.N-M10-DIN-2	CAP NUT	1	€ 0,60
04-50	M600-FNL.N-M10-DIN-2	HEXAGON THIN NUT	1	€ 0,40
04-51	M600-FN.W10-DIN-2	WASHER	2	€ 0,30
04-52	M600-70ND-060000	THROTTLE LEVER	1	€ 29,05
04-53	M600-FHSS.S-M6x8-GB-3	SOCKET SCREW WITH FLAT HEAD	1	€ 0,35
04-54	M600-HC.N-M8-DIN-2	CAP NUT	1	€ 0,45
04-55	M600-FNL.N-M8-DIN-2	HEXAGON THIN NUT	2	€ 0,35
04-56	M600-FHSS.S-M8x20-GB-3	SOCKET SCREW WITH FLAT HEAD	1	€ 0,30
04-57	M600-70ND-060001	THROTTLE BODY	1	€ 38,95
04-58	M600-70ND-060003	BOLT	1	€ 16,25
04-59	M600-70ND-060002	THROTTLE GEAR	1	€ 32,45
04-60	M600-W04-45x3	O-RING	1	€ 6,00
04-61	M600-70ND-060004	SLIDER	1	€ 9,70
04-62	M600-W06-S04-L1100X1300	THROTTLE CABLE	1	€ 82,80
04-63	M600-70ND-010018	THROTTLE LEVER ASSY 7/8	1	€ 129,90



Drawn	L. C	Model	M600	Drawing No.	M600-04P
Checked		Description	OPERATION HANDLE		
Approved		Date	2009. 7. 29.		