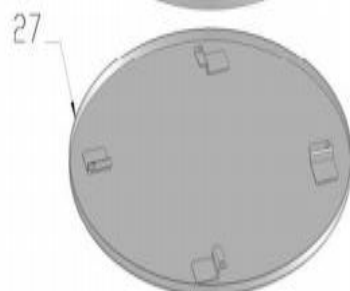
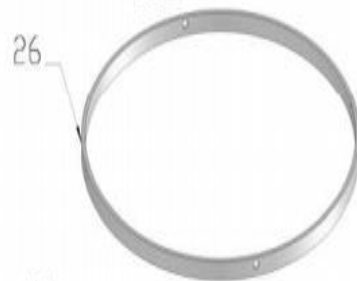
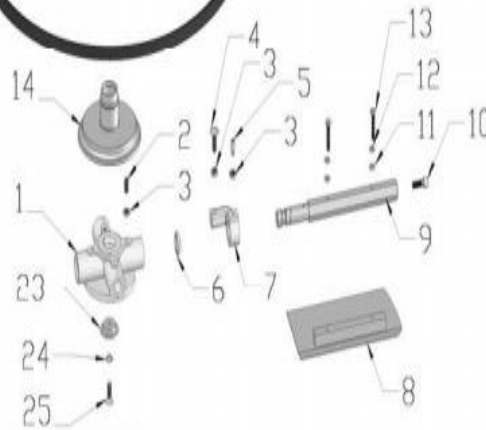
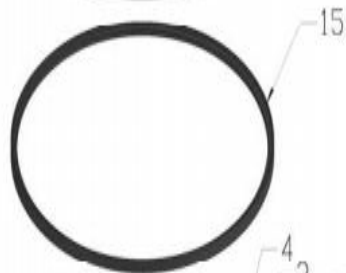
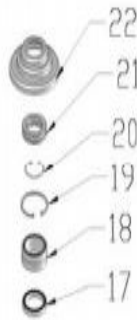


M600-01-A SPIDER ASSY

NO.	PART NO.	PART DESCRIPTION	QTY	UNIT PRICE (EUR) 2020
01-1	M600-606-050301	SPIDER	1	144,24 €
01-2	M600-ConeHSS.S-M8x20	GRUB SCREW	4	0,60 €
01-3	M600-FNL.N-M8-DIN-1	HEXAGON THIN NUT	12	0,30 €
01-4	M600-CHSN.B-M8x25-GB-1	BOLT	4	0,40 €
01-5	M600-GB79-85-M8x20	SOCKET SCREW WITH CYLINDRICAL POINT	4	0,45 €
01-6	M600-W03-DH-20	OIL SEAL	4	24,00 €
01-7	M600-606-050401	TILT ARM	4	23,30 €
01-8	TOL606-050100	BLADE SET OF 4	4	49,92 €
01-9	M600-606-050501	SPIDER ARM	4	75,72 €
01-10	M600-HS.B-M8x20-8.8-GB-1	SCREW	4	0,45 €
01-11	M600-FN.W6-DIN-1	WASHER	8	0,30 €
01-12	M600-SPG.W6-DIN-1	SPRING WASHER	8	0,30 €
01-13	M600-FN.B-M6x35-8.8-DIN-1	BOLT	8	0,40 €
01-14	M600-606-040303	TILT PLATE	1	41,44 €
01-15	M600-606-040802	RUBBER RING	1	42,68 €
01-16	M600-606-040801	GUARD PLATE	1	221,20 €
01-17	M600-W01-6808RS-J	BEARING	1	43,28 €
01-18	M600-W01-NKI 40/20-J	BEARING	1	63,12 €
01-19	M600-CH.RG55	INTERNAL CIRCLIP	1	0,80 €
01-20	M600-SS.RG40	EXTERNAL CIRCLIP	1	6,00 €
01-21	M600-W01-51107-J	BEARING	1	40,60 €
01-22	M600-606-040302	BEARING COVER	1	69,20 €
01-23	M600-606-050701	END CAP	1	6,00 €
01-24	M600-CETL.W8	COUNTERSUNK EXTERNAL TOOTHED LOCK WASHER	1	6,00 €
01-25	M600-HSF.S-M8x25-8.8-DIN-1	SOCKET COUNTERSUNK HEAD SCREW	1	0,60 €
01-26	M600-606-050601	GUARD RING	1	302,70 €
01-27	TOL606-040803	ROUND PAN	1	58,57 €

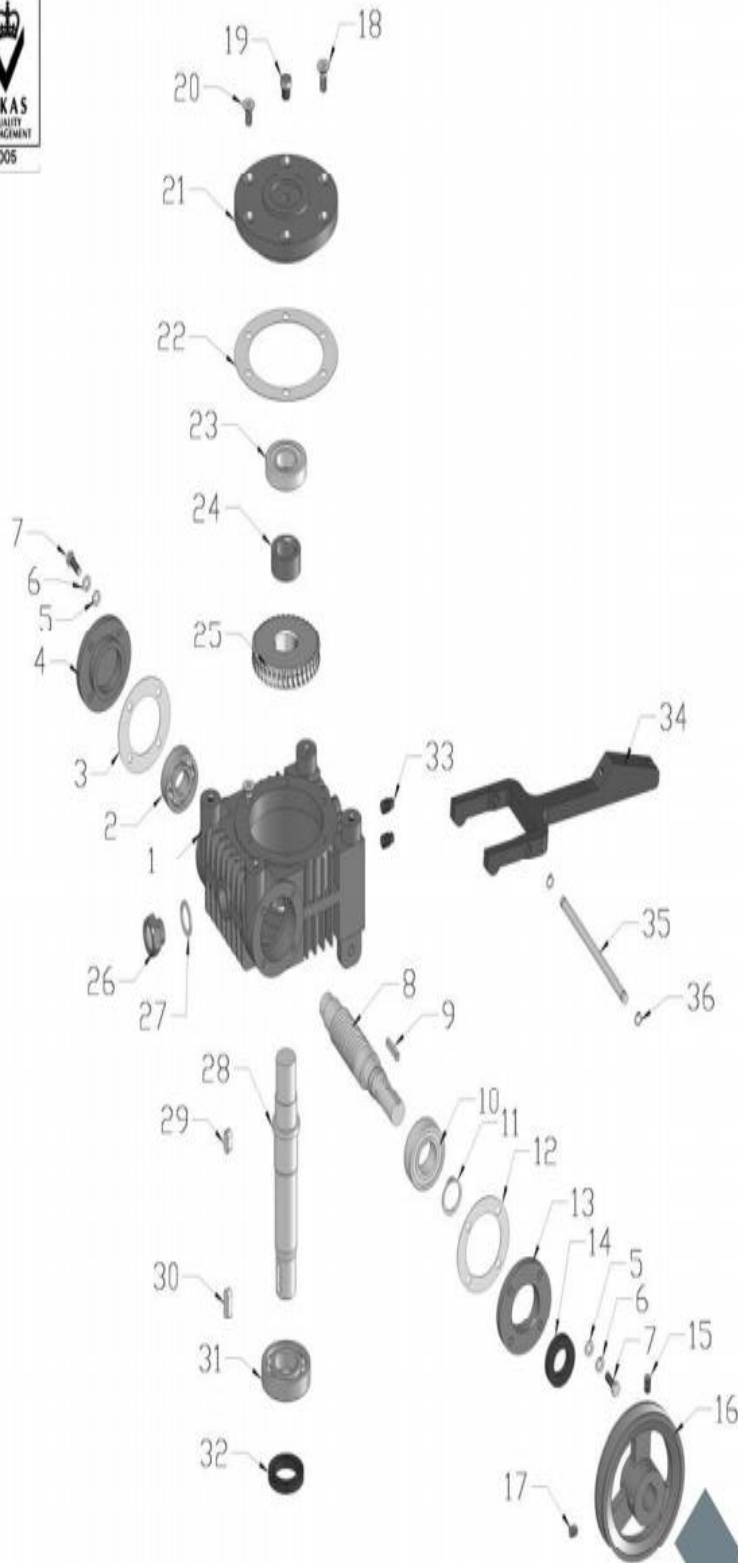


Drawn	L. C	Model	M600	Drawing No.	M600-01-A
Checked		Description	SPIDER ASS		
Approved		Date	2009.5.28		

wondershare

M600-02-A GEARBOX ASSY

NO.	PART NO.	PART DESCRIPTION	QTY	UNIT PRICE (EUR) 2020
02-1	M600-606-040101	WORM GEAR BOX	1	342,06 €
02-2	M600-W01-6204-J	BEARING	1	14,30 €
02-3	M600-606-040106	SEAL, CLOSE COVER	1	6,10 €
02-4	M600-606-040103	CLOSE COVER	1	32,30 €
02-5	M600-FN.W6-DIN-1	WASHER	8	0,30 €
02-6	M600-HSPG.W6-DIN-1	SPRING WASHER,TANG ENDS	8	0,30 €
02-7	M600-FN.B-M6x20-8.8-DIN-1	BOLT	8	0,30 €
02-8	M600-606-040203	WORM	1	490,60 €
02-9	M600-Key.A-5x5x28	KEY	1	6,00 €
02-10	M600-W01-6205Z-J	BEARING	1	14,30 €
02-11	M600-CS.RG25	EXTERNAL CIRCLIP	1	0,45 €
02-12	M600-606-040107	SEAL,SIDE COVER	1	6,10 €
02-13	M600-606-040104	SIDE COVER	1	32,30 €
02-14	M600-W03-40x22x7	OIL SEAL	1	6,10 €
02-15	M600-FHSS.S-M8x12	GRUB SCREW	1	0,90 €
02-16	M600-70G-040314	PULLEY	1	101,60 €
02-17	M600-ConeHSS.S-M8x12	SOCKET HEAD SCREW	1	0,70 €
02-18	M600-HSF.S-M8x20-8.8-DIN-1	SOCKET COUNTERSUNK HEAD SCREW	5	0,55 €
02-19	M600-606-040108	VENT SCREW	1	5,25 €
02-20	M600-HSF.S-M8x16-8.8-DIN-1	SOCKET COUNTERSUNK HEAD SCREW	1	42,85 €
02-21	M600-606-040102	TOP COVER	1	44,48 €
02-22	M600-606-040105	SEAL, TOP COVER	1	15,10 €
02-23	M600-W01-30205-J	BEARING	1	26,35 €
02-24	M600-606-040204	BUSH	1	14,25 €
02-25	M600-100G-040201	WORM GEAR	1	248,82 €
02-26	M600-100GB-041000	OIL GAUGE	1	31,55 €
02-27	M600-ZH-D-M20	WASHER	1	0,55 €
02-28	M600-606-040202	WORM GEAR SHAFT	1	122,00 €
02-29	M600-Key.A-8x7x18	KEY	1	6,00 €
02-30	M600-Key.A-8x7x25	KEY	1	6,00 €
02-31	M600-6206Z-J	BEARING	1	19,60 €
02-32	M600-W03-45x30x8	OIL SEAL	1	0,85 €
02-33	M600-100GB-040111	STOPPER	2	2,30 €
02-34	M600-606-040304	TILT YOKE	1	36,10 €
02-35	M600-606-040301	PIN	1	8,25 €
02-36	M600-CS.RG8	EXTERNAL CIRCLIP	2	0,55 €

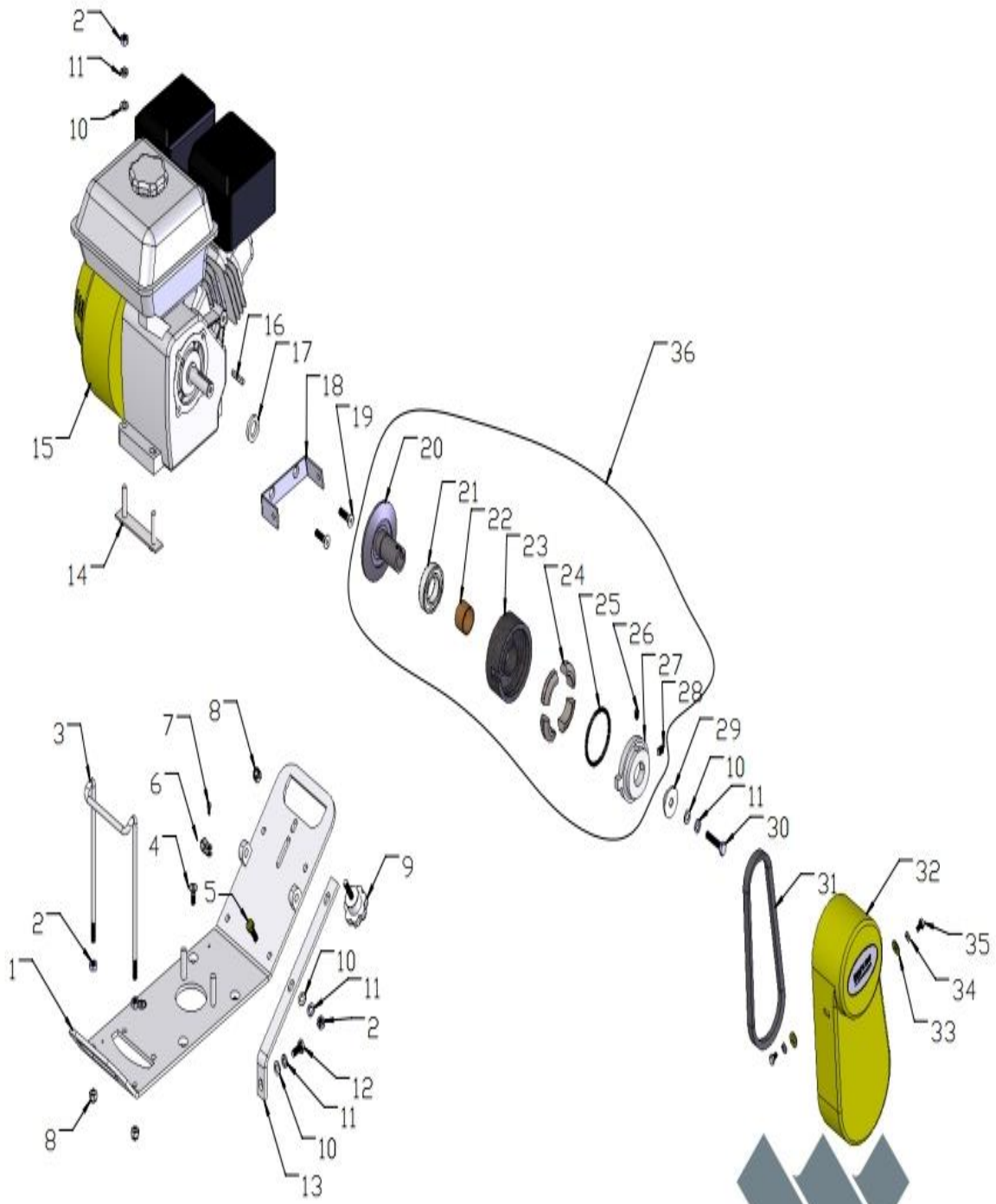


Drawn	L. C	Model	M600	Drawing No.	M600-02-A
Checked		Description	GEARBOX ASSY		
Approved		Date	2009. 5. 28		

wondershare

M600-03-A ENGINE BASE AND CLUTCH ASSY

NO.	PART NO.	PART DESCRIPTION	QTY	UNIT PRICE (EUR) 2020
03-1	M600-606-010000C	ENGINE BASE	1	138,28 €
03-2	M600-FN.N-M8-DIN-1	NUT	10	0,30 €
03-3	M600-606-010201	HOOK	1	14,25 €
03-4	M600-HSF.S-M8x20-8.8-DIN-1	SOCKET COUNTERSUNK HEAD SCREW	4	0,55 €
03-5	M600-FN.B-M8x25-8.8-DIN-1	BOLT	4	0,35 €
03-6	M600-X1-J-10.4	WIRE CLIP	2	0,55 €
03-7	M600-PAN.S-M4x10	PAN HEAD SCREW	2	0,35 €
03-8	M600-IN.N-M8-DIN-1	LOCK NUT	3	0,30 €
03-9	M600-StarH-M8x30	STAR GRIP KNOB	1	2,30 €
03-10	M600-FN.W8-DIN-1	WASHER	11	0,30 €
03-11	M600-HSPG.W8-DIN-1	SPRING WASHER,TANG ENDS	11	0,30 €
03-12	M600-FN.B-M8x20-8.8-DIN-1	BOLT	2	0,35 €
03-13	M600-606-010501	BRACKET	2	14,25 €
03-14	M600-100G-030400	BOLT	1	9,05 €
03-15	M600-W05-GX160H1-SX	ENGINE	1	
03-16	M600-Key.B-5x5x30	KEY	1	6,00 €
03-17	M600-80-0317	WASHER	1	7,55 €
03-18	M600-606-040702	BRACKET	1	12,75 €
03-19	M600-HSF.S-M8x30-8.8-DIN-1	SOCKET COUNTERSUNK HEAD SCREW	2	0,75 €
03-20	M600-100G-070100	SHAFT	1	46,28 €
03-21	M600-W01-6006ZZ-J	BEARING	1	16,60 €
03-22	M600-100G-070500	BUSH	1	25,65 €
03-23	M600-100G-070200	CLUTCH DRUM	1	51,72 €
03-24	M600-100G-070400	CLUTCH BLOCK	4	5,35 €
03-25	M600-100G-070109	SPRING	1	2,60 €
03-26	M600-ConeHSS.S-M8x12	SOCKET HEAD SCREW	1	0,70 €
03-27	M600-100G-070300	CLUTCH PLATE	1	32,35 €
03-28	M600-FHSS.S-M8x12	GRUB SCREW	1	0,90 €
03-29	M600-100GB-070108	WASHER	1	9,05 €
03-30	M600-FN.B-M8x40-8.8-DIN-1	BOLT	1	0,40 €
03-31	M600-W02-A23.5	V BELT	1	26,35 €
03-32	M600-606-040701	BELT COVER	1	94,96 €
03-33	M600-WOD.W6-GB-1	WASHER	2	1,85 €
03-34	M600-HSPG.W6-DIN-1	SPRING WASHER,TANG ENDS	2	0,30 €
03-35	M600-FN.B-M6x10-8.8-DIN-1	BOLT	2	0,30 €
03-36	M600-100G-070000A	CLUTCH ASSY		111,35 €



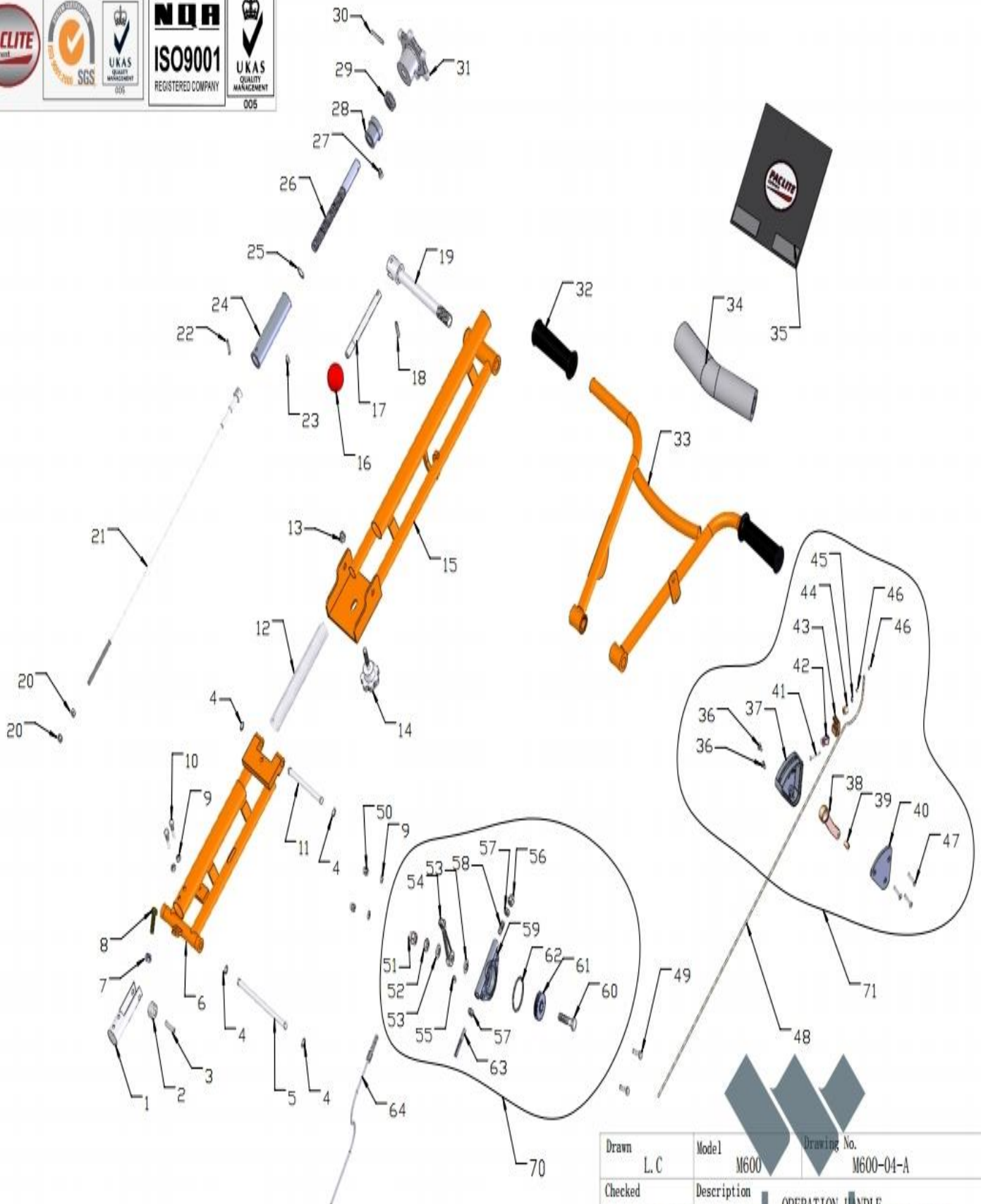
Drawn	L. C	Model	M600	Drawing No.	M600-03-A
Checked		Description	ENGINE BASE & CLUTCH ASSY		
Approved		Date	2009.7.28		

wondershare

M600-04-A OPERATION HANDLE ASSY

NO.	PART NO.	PART DESCRIPTION	QTY	UNIT PRICE (EUR) 2020
04-1	M600-606-000601	WHEEL BRACKET	1	24,05 €
04-2	M600-606-000501	WHEEL	1	14,25 €
04-3	M600-SC.PIN-8x28	SPRING PIN	1	0,55 €
04-4	M600-CS.RG10	EXTERNAL CIRCLIP	4	0,45 €
04-5	M600-606-020801	PIN	1	7,55 €
04-6	M600-606-020100P	HANDLE BOTTOM	1	80,56 €
04-7	M600-FN.N-M8-DIN-1	NUT	1	0,30 €
04-8	M600-FN.B-M8x30-8.8-DIN-1	BOLT	1	0,30 €
04-9	M600-HSPG.W6-DIN-1	SPRING WASHER,TANG ENDS	4	0,30 €
04-10	M600-FN.B-M6x30-8.8-DIN-1	BOLT	2	0,30 €
04-11	M600-606-021301	PIN	1	7,60 €
04-12	M600-606-000006	SPRING	1	12,75 €
04-13	M600-IN.N-M8-DIN-1	LOCK NUT	1	0,30 €
04-14	M600-StarH-M8x40	STAR GRIP KNOB	1	2,30 €
04-15	M600-606-020200P	HANDLE TOP	1	93,96 €
04-16	M600-SH.A-M12x40	GRIP BALL	1	3,05 €
04-17	M600-947-99947	BAR	1	9,05 €
04-18	M600-SC.PIN-6x30	SPRING PIN	1	0,45 €
04-19	M600-606-030501	SCREWD-TOMMY BAR	1	35,05 €
04-20	M600-FN.N-M6-DIN-1	NUT	2	0,30 €
04-21	M600-606-000010	DEPTH CONTROL CABLE ASSY	1	24,15 €
04-22	M600-SC.PIN-5x28	SPRING PIN	1	0,45 €
04-23	M600-HS.B-M5x8-8.8-GB-1	SCREW	1	0,30 €
04-24	M600-606-000301	SLIDE BUSH	1	82,96 €
04-25	M600-CS.RG16	EXTERNAL CIRCLIP	1	0,35 €
04-26	M600-100G-010003	ADJUSTING SCREW	1	25,05 €
04-27	M600-HS.B-M6x8-8.8-GB-1	SCREW	1	0,30 €
04-28	M600-606-000701	BEARING COVER	1	15,05 €
04-29	M600-W01-51103-G	BEARING	1	17,45 €
04-30	M600-SC.PIN-5x40	SPRING PIN	1	0,50 €
04-31	M600-100G-010008P	PITCH CONTROL KNOB	1	59,52 €
04-32	M600-947-99999	HANDLE COVER	2	9,05 €
04-33	M600-606-030000P	HANDLE	1	192,44 €
04-34	M600-947-99998	HANDLE FOAM	1	8,75 €
04-35	M600-120GB-000005	HANDLE FABRIC	1	11,50 €
04-36	M600-F.S-M5x10-DIN-1	COUNTERSUNK HEAD SCREW	2	0,30 €
04-37	M600-100G-010101	CUTOUT SWITCH SHELL	1	12,10 €
04-38	M600-100G-010103	CUTOUT SWITCH LEVER	1	27,05 €
04-39	M600-100G-010104	CUTOUT SWITCH BUSH	1	1,55 €
04-40	M600-100G-010102	CUTOUT COVER	1	5,35 €
04-41	M600-F.S-M3x30-DIN-1	COUNTERSUNK HEAD SCREW	1	0,30 €
04-42	M600-100G-010107	CUTOUT SWITCH REED	1	4,50 €
04-43	M600-100G-010105	CUTOUT SWITCH OUTLET	1	3,85 €
04-44	M600-100G-010106	CUTOUT SWITCH WASHER	1	4,50 €
04-45	M600-FN.W3-DIN-2	WASHER	1	0,30 €
04-46	M600-FN.N-M3-DIN-2	NUT	2	0,30 €
04-47	M600-F.S-M4x25-DIN-1	COUNTERSUNK HEAD SCREW	3	0,30 €
04-48	M600-100G-000014	WIRE HARNESS	1	7,60 €
04-49	M600-FN.B-M6x20-8.8-DIN-2	BOLT	2	0,30 €
04-50	M600-HC.N-M6-DIN-2	CAP NUT	2	0,30 €

04-51	M600-HC.N-M10-DIN-2	CAP NUT	1	0,30 €
04-52	M600-FNL.N-M10-DIN-2	HEXAGON THIN NUT	1	0,40 €
04-53	M600-FN.W10-DIN-2	WASHER	2	0,30 €
04-54	M600-70ND-060000	THROTTLE LEVER	1	29,05 €
04-55	M600-FHSS.S-M6x8-GB-3	SOCKET SCREW WITH FLAT HEAD	1	0,35 €
04-56	M600-HC.N-M8-DIN-2	CAP NUT	1	0,45 €
04-57	M600-FNL.N-M8-DIN-2	HEXAGON THIN NUT	2	0,35 €
04-58	M600-FHSS.S-M8x20-GB-3	SOCKET SCREW WITH FLAT HEAD	1	0,30 €
04-59	M600-70ND-060001	THROTTLE BODY	1	38,95 €
04-60	M600-70ND-060003	BOLT	1	16,25 €
04-61	M600-70ND-060002	THROTTLE GEAR	1	32,45 €
04-62	M600-W04-45x3	O-RING	1	6,00 €
04-63	M600-70ND-060004	SLIDER	1	9,70 €
04-64	M600-W06-S04-L1100x1300	THROTTLE CABLE	1	66,24 €
04-70	M600-70ND-010018	THROTTLE LEVER ASSY		103,92 €
04-71	TOL100G-010100	CUTOFF SWITCH ASSY		49,28 €



Drawn	L. C	Model	M600	Drawing No.	M600-04-A
Checked		Description	OPERATION HANDLE		
Approved		Date	2009.7.29		

wondershare