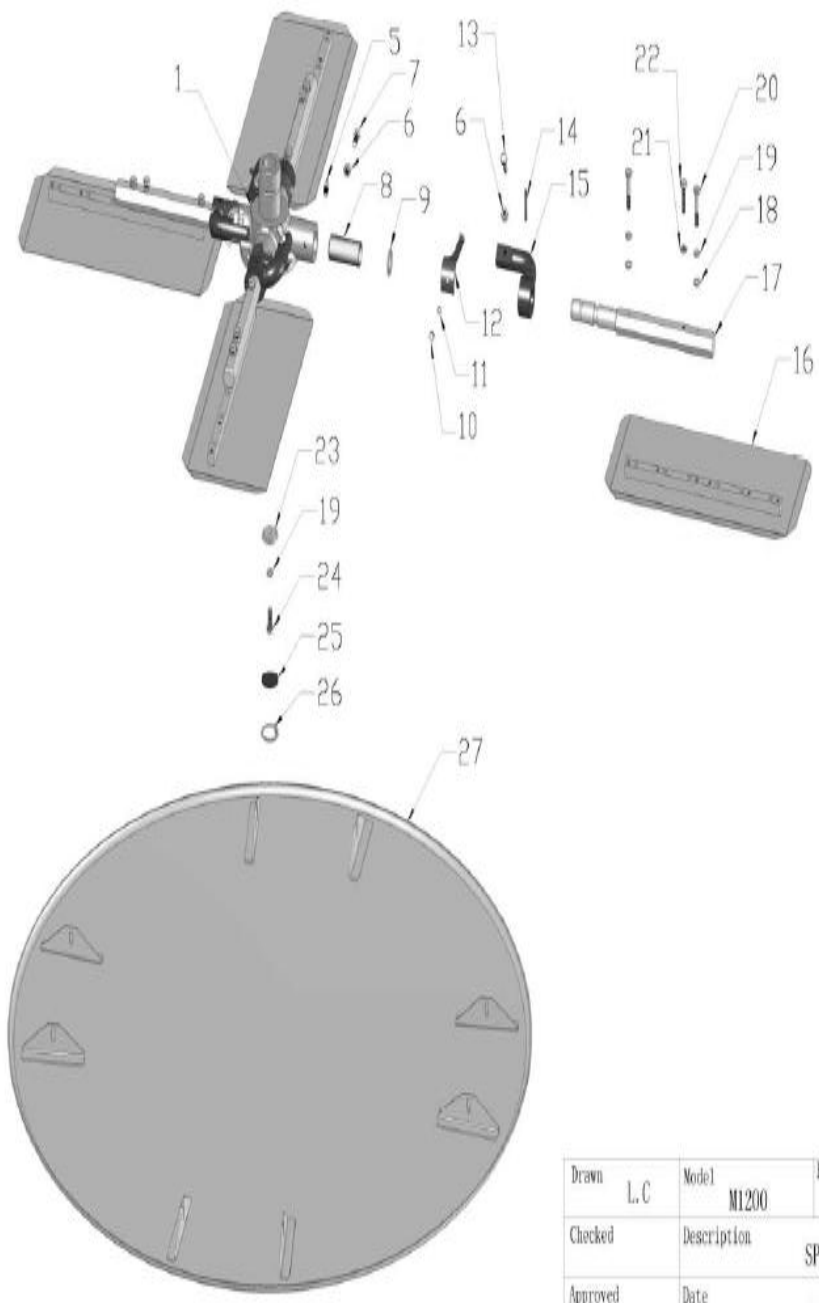
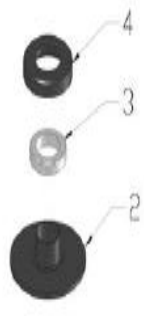


M1200-01 SPIDER ASSY

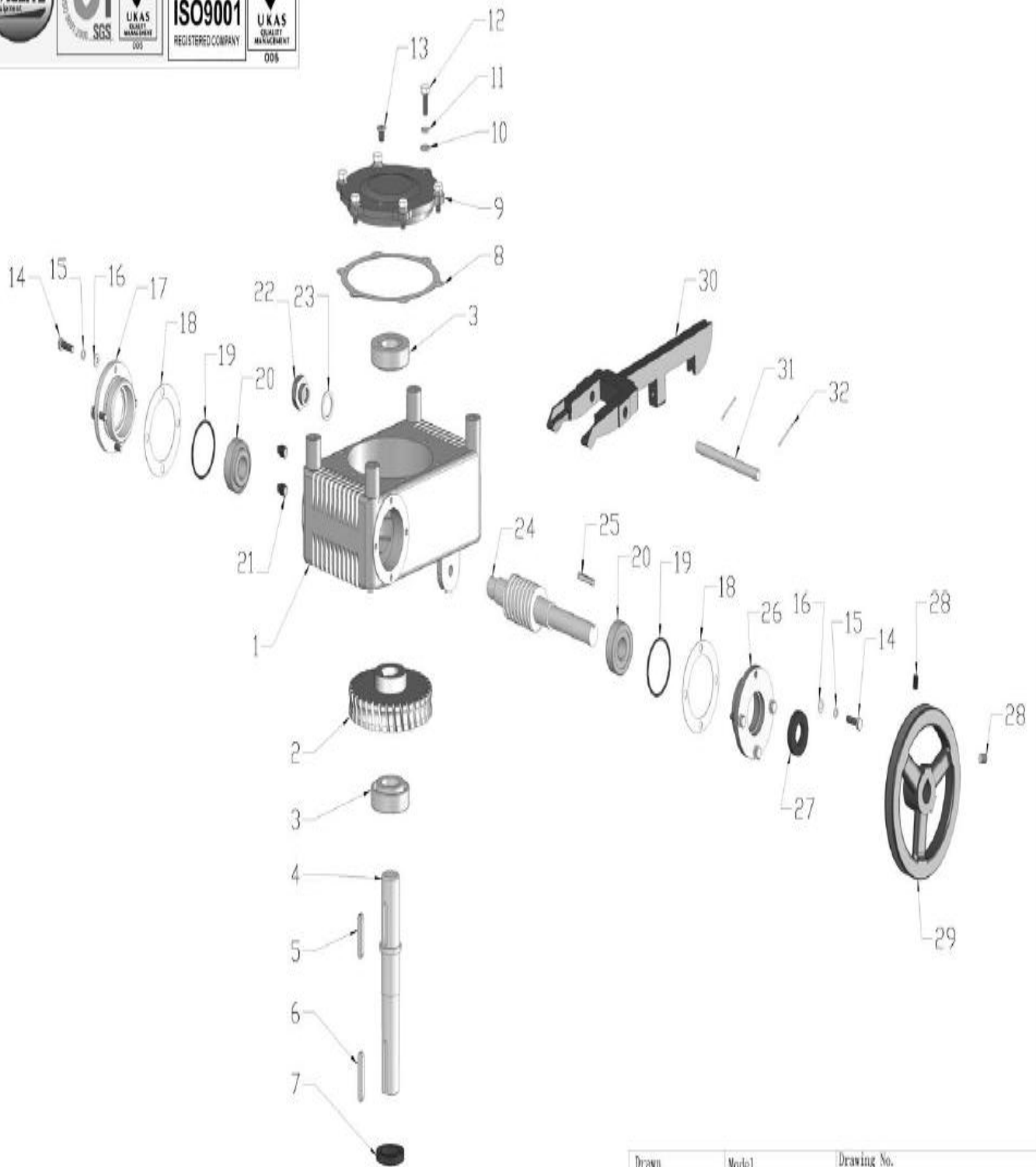
NO.	PART NO.	PART DESCRIPTION	QTY	UNIT PRICE (EUR) 2019
01-1	M1200-947-00609	SPIDER	1	€ 255,00
01-2	M1200-947-00603	TILT PLATE	1	€ 90,00
01-3	M1200-W01-NIS-55TNK29	BEARING	1	€ 22,00
01-4	M1200-947-00605	BEARING HOUSING	1	€ 22,50
01-5	M1200-TOL-T-001	GREASE NIPPLE	4	€ 0,31
01-6	M1200-FN.N-M8-DIN-1	NUT	8	€ 0,03
01-7	M1200-FN.B-M8x20-8.8-DIN-1	BOLT	4	€ 0,09
01-8	M1200-50-000067	SPIDER BUSH	4	€ 31,00
01-9	M1200-W04-25x2	O RING	4	€ 4,00
01-10	M1200-FN.B-M6x10-8.8-DIN-1	BOLT	4	€ 0,06
01-11	M1200-SPG.W6-DIN-1	SPRING WASHER	4	€ 0,04
01-12	M1200-947-00604	SPRING SLICE	4	€ 12,00
01-13	M1200-SHH.B-M8x25	BOLT	4	€ 0,46
01-14	M1200-SC.PIN-5x40	SPRING PIN	4	€ 0,23
01-15	M1200-947-00602	TILT ARM	4	€ 16,50
01-16	M1200-947-99956	COMBINATION BLADE	4	accessory
01-17	M1200-947-00607	SPIDER ARM	4	€ 101,50
01-18	M1200-FN.W8-DIN-1	WASHER	8	€ 0,04
01-19	M1200-HSPG.W8-DIN-1	SPRING WASHER, TANG ENDS	9	€ 0,04
01-20	M1200-FN.B-M8x45-8.8-DIN-1	BOLT	8	€ 0,16
01-21	M1200-FNL.N-M8	HEXAGON THIN NUT	4	€ 0,07
01-22	M1200-FN.B-M8x35-8.8-DIN-1	BOLT	4	€ 0,12
01-23	M1200-947-99945	WASHER	1	€ 6,00
01-24	M1200-FN.B-M8x25-8.8-DIN-1	BOLT	1	€ 0,10
01-25	M1200-100G-040305	RUBBER WASHER	1	€ 0,74
01-26	M1200-CH.RG36	INTERNAL CIRCLIP	1	€ 0,27
01-27	M1200-120GB-080000P	ROUND PAN	1	accessory



Drawn	L. C	Model	M1200	Drawing No.	M1200-01
Checked		Description	SPIDER ASSY.		
Approved		Date	2009.10.5		

M1200-02P GEARBOX ASSY

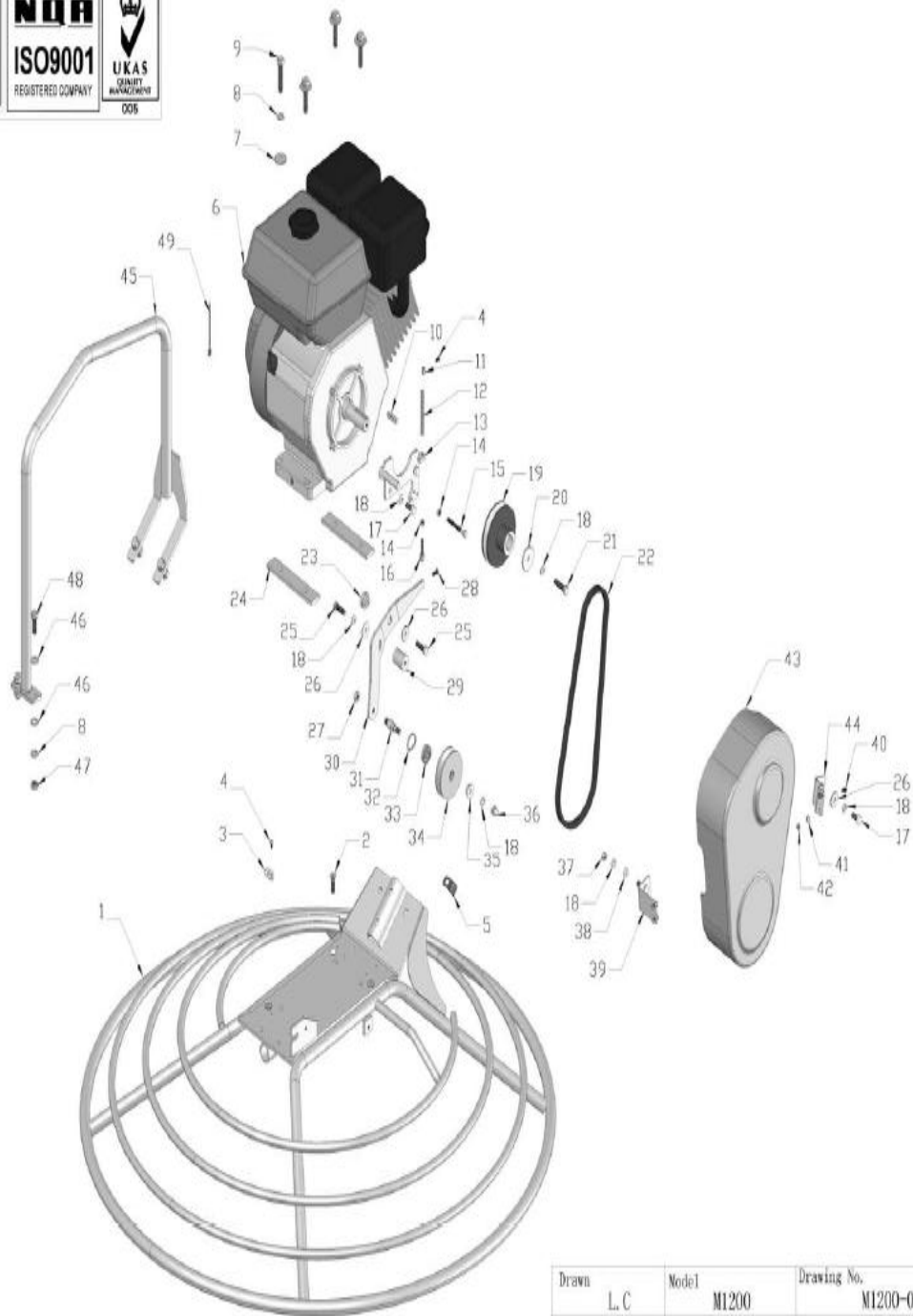
NO.	PART NO.	PART DESCRIPTION	QTY	UNIT PRICE (EUR) 2019
02-1	M1200-947-040001	WORM GEAR BOX	1	€ 360,00
02-2	M1200-947-040107-1200	WORM GEAR	1	€ 306,00
02-3	M1200-W01-32206-J	BEARING	2	€ 24,29
02-4	M1200-947-040115	WORM GEAR SHAFT	1	€ 135,00
02-5	M1200-Key.A-8x7x40	KEY	1	€ 4,00
02-6	M1200-Key.A-8x7x45	KEY	1	€ 4,00
02-7	M1200-W03-45x30x8	OIL SEAL	1	€ 4,00
02-8	M1200-100GB-040402	SEAL, TOP COVER	1	€ 4,00
02-9	M1200-100GB-040110	TOP COVER	1	€ 22,00
02-10	M1200-FN.W8-DIN-1	WASHER	6	€ 0,04
02-11	M1200-SPG.W8-DIN-1	SPRING WASHER	6	€ 0,04
02-12	M1200-FN.B-M8x20-8.8-DIN-1	BOLT	6	€ 0,09
02-13	M1200-100G-000004	VENT SCREW	1	€ 3,00
02-14	M1200-FN.B-M6x25-8.8-DIN-1	BOLT	8	€ 0,06
02-15	M1200-SPG.W6-DIN-1	SPRING WASHER	8	€ 0,04
02-16	M1200-FN.W6-DIN-1	WASHER	8	€ 0,04
02-17	M1200-100GB-040302	CLOSE COVER	1	€ 21,00
02-18	M1200-100GB-040401	SEAL, SIDE COVER	2	€ 4,00
02-19	M1200-W04-47.7x2.65	O RING	2	€ 4,00
02-20	M1200-W01-32204-J	BEARING	2	€ 33,00
02-21	M1200-100GB-040111	STOPPER	2	€ 2,00
02-22	M1200-100GB-041000	OIL GAUGE	1	€ 21,00
02-23	M1200-ZH-D-M20	WASHER	1	€ 0,31
02-24	M1200-120GB-040308	WORM	1	€ 212,40
02-25	M1200-Key.A-5x5x32	KEY	1	€ 4,00
02-26	M1200-100GB-040310	SIDE COVER	1	€ 21,00
02-27	M1200-W03-40x20x8	OIL SEAL	1	€ 4,00
02-28	M1200-FHSS.S-M8x12	GRUB SCREW	2	€ 0,10
02-29	M1200-947-99988	GEARBOX PULLEY	1	€ 85,00
02-30	M1200-100G-060400	TILT YOKE	1	€ 26,00
02-31	M1200-100G-060500	SHAFT	1	€ 4,00
02-32	M1200-SP.PIN-2x26	SPLIT PIN	2	€ 0,05



Drawn	L. C	Model	M1200	Drawing No.	M1200-02P
Checked		Description	GEARBOX ASSY		
Approved		Date	2009. 7. 14.		

M1200-03 ENGINE BASE AND CLUTCH ASSY

NO.	PART NO.	PART DESCRIPTION	QTY	UNIT PRICE (EUR) 2019
03-1	M1200-120GB-020000	GUARD RING	1	€ 437,50
03-2	M1200-HSF.S-M8x30	SOCKET COUNTERSUNK HEAD SCREW	4	€ 0,51
03-3	M1200-X1-J-10.4	CABLE CLAMP	1	€ 0,11
03-4	M1200-PAN.S-M4x10	PAN HEAD SCREW	2	€ 0,04
03-5	M1200-90GB-030900F	CLIP	1	€ 6,00
03-6	M1200-W05-GX270	ENGINE	1	
03-7	M1200-WOD.W10-GB-1	WASHER	4	€ 0,07
03-8	M1200-HSPG.W10-DIN-1	SPRING WASHER, TANG ENDS	8	€ 0,04
03-9	M1200-FN.B-M10x50-8.8-DIN-1	BOLT	4	€ 0,27
03-10	M1200-Key.B-7x7x32	KEY	1	€ 4,00
03-11	M1200-947-99965	CABLE RETAINER	1	€ 27,50
03-12	M1200-2-0060	MANUAL CLUTCH SPRING	1	€ 12,00
03-13	M1200-947-01700	MOUNTING PLATE	1	€ 96,00
03-14	M1200-FN.N-M8-DIN-1	NUT	2	€ 0,03
03-15	M1200-FN.B-M6x60-8.8HALF-DIN-1	BOLT	1	€ 0,09
03-16	M1200-947-99971	CABLE ADJUSTER	1	€ 10,00
03-17	M1200-FN.B-M8x20-8.8-DIN-1	BOLT	3	€ 0,09
03-18	M1200-HSPG.W8-DIN-1	SPRING WASHER, TANG ENDS	7	€ 0,04
03-19	M1200-120GB-030500F	PTO PULLEY	1	€ 75,00
03-20	M1200-120GB-030600F	WASHER	1	€ 5,00
03-21	M1200-FN.B-M8x35-8.8-DIN-1	BOLT	1	€ 0,12
03-22	M1200-W02-A34	BELT	1	€ 21,00
03-23	M1200-947-99974	TENSIONING LEVER BUSH	1	€ 26,50
03-24	M1200-120GB-030800F	ENGINE PACKER	2	€ 11,00
03-25	M1200-FN.B-M8x30-8.8-DIN-1	BOLT	2	€ 0,11
03-26	M1200-WOD.W8-GB-1	WASHER	3	€ 0,06
03-27	M1200-FNL.N-M10-DIN-1	HEXAGON THIN NUT	1	€ 0,11
03-28	M1200-PAN.S-M5x16	PAN HEAD SCREW	1	€ 0,05
03-29	M1200-947-99913	THREADED BOSS	1	€ 3,50
03-30	M1200-947-99957	CLUTCH ARM	1	€ 75,00
03-31	M1200-947-99941	MANUAL CLUTCH BOLT	1	€ 4,50
03-32	M1200-CH.RG28	INTERNAL CIRCLIP	1	€ 0,16
03-33	M1200-W01-6001ZZ-J	BEARING	1	€ 6,35
03-34	M1200-947-99918	TENSIONING PULLEY	1	€ 21,02
03-35	M1200-947-99970	SPACER TOP HAT	1	€ 6,00
03-36	M1200-HC.N-M8-DIN-1	CAP NUT	1	€ 0,15
03-37	M1200-FN.N-M8-DIN-1	NUT	1	€ 0,03
03-38	M1200-FN.W8-DIN-1	WASHER	1	€ 0,04
03-39	M1200-947-08300	BELT GUARD BRACKET	1	€ 6,00
03-40	M1200-FN.B-M5X12-8.8	BOLT	4	€ 0,04
03-41	M1200-FN.W5-DIN-1	WASHER	4	€ 0,04
03-42	M1200-947-000017	LOCK NUT	4	€ 2,00
03-43	M1200-947-08201	BELT GUARD	1	€ 108,00
03-44	M1200-120GB-030700F	GUARD BRACKET	1	€ 5,00
03-45	M1200-120GB-030200	LIFTING HANDLE	1	€ 150,00
03-46	M1200-FN.W10-DIN-1	WASHER	8	€ 0,04
03-47	M1200-FN.N-M10-DIN-1	NUT	4	€ 0,09
03-48	M1200-FN.B-M10x30-8.8-DIN-1	BOLT	4	€ 0,19
03-49	M1200-90GB-000015	WIRE	1	€ 6,00

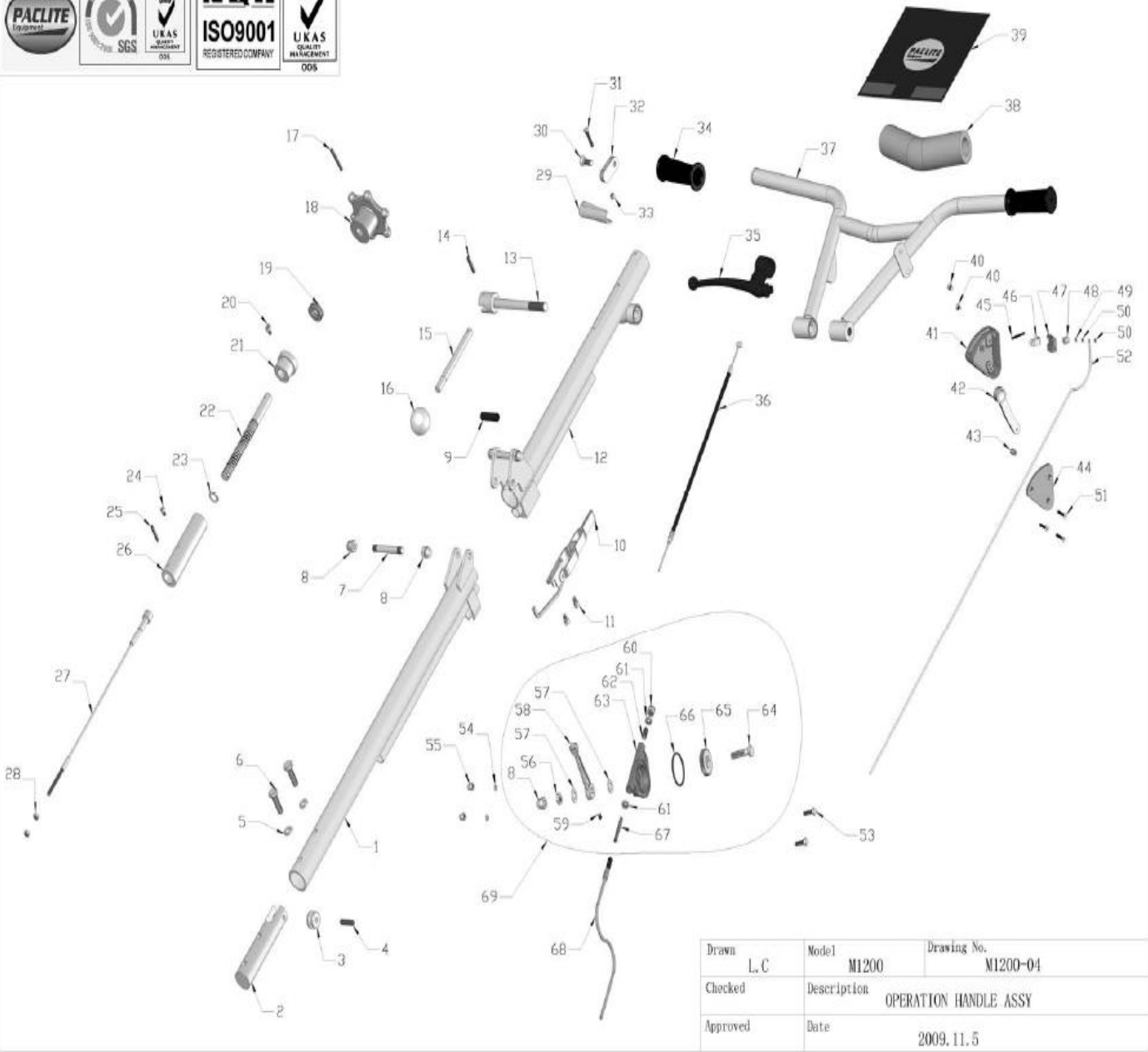


Drawn	L. C	Model	M1200	Drawing No.	M1200-03
Checked		Description	ENGINE BASE AND MANUAL CLUTCH ASSY		
Approved		Date	2009.11.5		

M1200-04 OPERATION HANDLE ASSY

NO.	PART NO.	PART DESCRIPTION	QTY	UNIT PRICE (EUR) 2019
04-1	M1200-120GB-090300F	HANDLE BOTTOM	1	€ 219,00
04-2	M1200-100G-010005	WHEEL BLOCK	1	€ 13,50
04-3	M1200-100G-010004	WHEEL	1	€ 11,00
04-4	M1200-SC.PIN-8x32	SPRING PIN	1	€ 0,34
04-5	M1200-HSPG.W10-DIN-1	SPRING WASHER, TANG ENDS	2	€ 0,05
04-6	M1200-FN.B-M10x35-8.8-DIN-1	BOLT	2	€ 0,20
04-7	M1200-750-020300	PIN	2	€ 4,00
04-8	M1200-HC.N-M10-DIN-2	CAP NUT	5	€ 0,33
04-9	M1200-120GB-090400F	HOSE	1	€ 3,50
04-10	M1200-750-020400	CLAMP	1	€ 28,00
04-11	M1200-HS.B-M6x10-8.8-GB-1	SCREW	2	€ 0,06
04-12	M1200-120GB-090100F	HANDLE UPPER	1	€ 153,90
04-13	M1200-947-06606	SCREWD-TOMMY BAR	1	€ 44,00
04-14	M1200-SC.PIN-6x30	SPRING PIN	1	€ 0,21
04-15	M1200-947-99947	BAR	1	€ 6,00
04-16	M1200-SH.A-M12x40	GRIP BALL	1	€ 1,86
04-17	M1200-SC.PIN-5x40	SPRING PIN	1	€ 0,23
04-18	M1200-100G-010008P	PITCH CONTROL KNOB	1	€ 49,50
04-19	M1200-W01-51103-J	BEARING	1	€ 11,59
04-20	M1200-HS.B-M6x8-8.8-GB-1	SCREW	1	€ 0,04
04-21	M1200-100G-010006	BEARING COVER	1	€ 7,00
04-22	M1200-100G-010003	ADJUSTING SCREW	1	€ 14,00
04-23	M1200-CS.RG16	EXTERNAL CIRCLIP	1	€ 0,09
04-24	M1200-HS.B-M5x8-8.8-GB-1	SCREW	1	€ 0,04
04-25	M1200-SC.PIN-5x30	SPRING PIN	1	€ 0,19
04-26	M1200-100G-010002	SLIDE BUSH	1	€ 66,00
04-27	M1200-120GB-000010	DEPTH CONTROL CABLE ASSY	1	€ 10,50
04-28	M1200-FN.N-M6-DIN-1	NUT	2	€ 0,05
04-29	M1200-947-01802	PRESSING CLUTCH AID	1	€ 5,50
04-30	M1200-HSF.S-M8x25	SOCKET COUNTERSUNK HEAD SCREW	1	€ 0,09
04-31	M1200-FN.B-M5x30-8.8-DIN-1	BOLT	1	€ 0,06
04-32	M1200-947-01801	CLUTCH LEVER CONNECTOR	1	€ 8,00
04-33	M1200-FN.N-M5-DIN-1	NUT	1	€ 0,04
04-34	M1200-100G-010001	HANDLE COVER	2	€ 6,00
04-35	M1200-947-99996	CONTROL LEVER	1	€ 22,00
04-36	M1200-947-99951	CLUTCH CABLE	1	€ 29,50
04-37	M1200-120GB-090200F	HANDLEBAR	1	€ 116,40
04-38	M1200-947-99998	HANDLE FOAM	1	€ 7,50
04-39	M1200-120GB-000005	HANDLE FABRIC	1	€ 18,00
04-40	M1200-F.S-M5x10	COUNTERSUNK HEAD SCREW	2	€ 0,04
04-41	M1200-100G-010101	CUTOUT SWITCH SHELL	1	€ 8,00
04-42	M1200-100G-010103	CUTOUT SWITCH LEVER	1	€ 18,00
04-43	M1200-100G-010104	CUTOUT SWITCH BUSH	1	€ 1,00
04-44	M1200-100G-010102	CUTOUT COVER	1	€ 3,50
04-45	M1200-F.S-M3x30	COUNTERSUNK HEAD SCREW	1	€ 0,04
04-46	M1200-100G-010107	CUTOUT SWITCH REED	1	€ 3,00
04-47	M1200-100G-010105	CUTOUT SWITCH OUTLET	1	€ 2,50
04-48	M1200-100G-010106	CUTOUT SWITCH WASHER	1	€ 3,00
04-49	M1200-FN.W3-DIN-2	WASHER	1	€ 0,04

M1200-04 OPERATION HANDLE ASSY				UNIT PRICE (EUR) 2019	
04-50	M1200-FN.N-M3-DIN-1	NUT	2	€	0,04
04-51	M1200-F.S-M4x25	COUNTERSUNK HEAD SCREW	3	€	0,04
04-52	M1200-100G-000014	WIRE HARNESS	1	€	5,00
04-53	M1200-FN.B-M6x20-8.8-DIN-2	BOLT	2	€	0,05
04-54	M1200-SPG.W6-DIN-2	SPRING WASHER	2	€	0,04
04-55	M1200-HC.N-M6-DIN-2	CAP NUT	2	€	0,04
04-56	M1200-FNL.N-M10-DIN-2	HEXAGON THIN NUT	1	€	0,07
04-57	M1200-FN.W10-DIN-2	WASHER	2	€	0,05
04-58	M1200-70ND-060000	THROTTLE LEVER	1	€	19,50
04-59	M1200-FHSS.S-M6x8-GB-3	SOCKET SCREW WITH FLAT HEAD	1	€	0,12
04-60	M1200-HC.N-M8-DIN-2	CAP NUT	1	€	0,16
04-61	M1200-FNL.N-M8-DIN-2	HEXAGON THIN NUT	2	€	0,08
04-62	M1200-FHSS.S-M8x20-GB-3	SOCKET SCREW WITH FLAT HEAD	1	€	0,16
04-63	M1200-70ND-060001	THROTTLE BODY	1	€	27,00
04-64	M1200-70ND-060003	BOLT	1	€	11,00
04-65	M1200-70ND-060002	THROTTLE GEAR	1	€	22,00
04-66	M1200-W04-45x3	O-RING	1	€	4,00
04-67	M1200-70ND-060004	SLIDER	1	€	6,50
04-68	M1200-W06-S04-L1420x1620	THROTTLE CABLE	1	€	55,00
04-69	M1200-70ND-010018	THROTTLE LEVER ASSY	1	€	90,00



Drawn	Model	Drawing No.
L. C	M1200	M1200-04
Checked	Description OPERATION HANDLE ASSY	
Approved	Date	2009. 11. 5